



**TYPICAL APPLICATION**

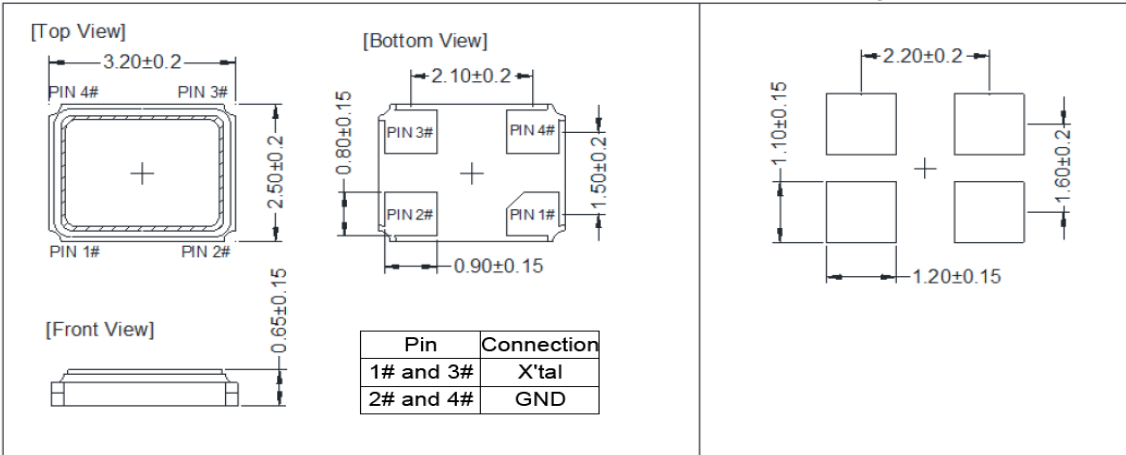
- Bluetooth, Mobile Phone, GPS
- Wireless LAN, 4G/LTE
- Hard Disk



**DIMENSIONS (mm)**

Product Dimensions

Solder Pad Layout Dimensions



**ELECTRICAL SPECIFICATION**

| PARAMETERS                   | XMD-SMD3225         |     |     | UNITS | CONDITIONS   |
|------------------------------|---------------------|-----|-----|-------|--------------|
|                              | MIN                 | TYP | MAX |       |              |
| Nominal Frequency            | 8                   |     | 54  | MHz   | -            |
| Mode of vibration            | Fundamental         |     |     |       | -            |
| Frequency Tolerance          | 10 20 30 or specify |     |     | ppm   | @+25°C±3°C   |
| Frequency Stability          | Table 2             |     |     | ppm   | Ref 25°C±3°C |
| Load Capacitance             | 8pF 10pF or specify |     |     | pF    | -            |
| Shunt Capacitance            |                     |     | 2   | pF    | @+25°C±3°C   |
| Equivalent Series Resistance | Table 1             |     |     | Ω     | -            |
| Drive Level                  |                     | 10  | 200 | μW    | -            |
| Operating Temperature Range  | -40                 |     | 125 | °C    | -            |
| Storage Temperature          | -55                 |     | 125 | °C    | -            |
| Aging (First Year)           | -3                  |     | 3   | ppm   | -            |
| Insulation Resistan          | 500                 |     |     | MΩ    | @DC100V      |

**EQUIVALENT SERIES RESISTANCE (Table 1)**

| Frequency Range    | MODE        | E.S.R(Ω) |
|--------------------|-------------|----------|
| 8MHz ≤ F0 ≤ 10MHz  | Fundamental | 200      |
| 10MHz < F0 < 16MHz | Fundamental | 100      |
| 16MHz ≤ F0 ≤ 20MHz | Fundamental | 60       |
| 20MHz < F0 ≤ 32MHz | Fundamental | 40       |
| 32MHz < F0 ≤ 54MHz | Fundamental | 30       |

**FREQ. STABILITY vs. TEMP. RANGE (Table 2)**

| Temp. °C  | ppm |     |     |     |     |
|-----------|-----|-----|-----|-----|-----|
|           | ±10 | ±15 | ±20 | ±30 | ±50 |
| -10 ~ 60  | ○   | ○   | ○   | ○   | ○   |
| -20 ~ 70  | ○   | ○   | ○   | ○   | ○   |
| -40 ~ 85  | X   | △   | ○   | ○   | ○   |
| -40 ~ 105 | X   | X   | △   | ○   | ○   |
| -40 ~ 125 | X   | X   | X   | X   | ○   |

○: Available △: Conditional X: Not available

## X-ON Electronics

Largest Supplier of Electrical and Electronic Components

*Click to view similar products for CREC manufacturer:*

Other Similar products are found below :

[01.O.MA.1GTGRIAF54000000](#) [01.O.MC.GTFRIAF48000000](#) [01.O.MC.GTFVFBN0025000000](#) [01.O.MC.GTFVFBN0050000000](#)  
[01.O.MC.HTHVFBF0040000000](#) [01.X.GB.120HJVF027000000](#) [01.X.MC.120JJRI012000000](#) [01.X.MD.108HJRG0019200000](#)  
[01.X.MD.108HMOV0032000000](#) [01.X.MD.108IJRI0027000000](#) [01.X.MD.108ILVF0024000000](#) [01.X.MD.108JJRI0033000000](#)  
[01.X.MD.108HJJRI0026000000](#) [01.X.MD.110HHPJ0032000000](#) [01.X.MD.110HHTF0026000000](#) [01.X.MD.110HJVF0032000000](#)  
[01.X.MD.110HJVF0040000000](#) [01.X.MD.110HLVF0008000000](#) [01.X.MD.110JJVF0016384000](#) [01.X.MD.110JLRI0024000000](#)  
[01.X.MD.110JLVF0030000000](#) [01.X.MD.112HHRI0016934400](#) [01.X.MD.112HJVF0026000000](#) [01.X.MD.112IIRI0019200000](#)  
[01.X.MD.112JJRI0020000000](#) [01.X.MD.112JJRI0033000000](#) [01.X.MD.112JJVF0020000000](#) [01.X.MD.112JLVF0021948717](#)  
[01.X.MD.112LLRI0012000000](#) [01.X.MD.112LMVCA036480000](#) [01.X.MD.115HHTF0040000000](#) [01.X.MD.115JJTF0038000000](#)  
[01.X.MD.116ILPC0050000000](#) [01.X.MD.116JJRI0027120000](#) [01.X.MD.118HHPI0027120000](#) [01.X.MD.118JJVF0024000000](#)  
[01.X.MD.118LLRF0027000000](#) [01.X.MD.120HHRI0008000000](#) [01.X.MD.120HHRI0012800000](#) [01.X.MD.120HHRI0024000000](#)  
[01.X.MD.120HHRI016000000](#) [01.X.MD.120HJVF0024000000](#) [01.X.MD.120JJRI0012000000](#) [01.X.MD.120JJRI027120000](#)  
[01.X.MD.120JJRI0400000000](#) [01.X.MD.120JJVF0022579200](#) [01.X.MD.120JJVF0027000000](#) [01.X.MD.120JJVF0028636360](#)  
[01.X.MD.120JJVFA012000000](#) [01.X.MD.122JJRI019200000](#)