



TYPICAL APPLICATION

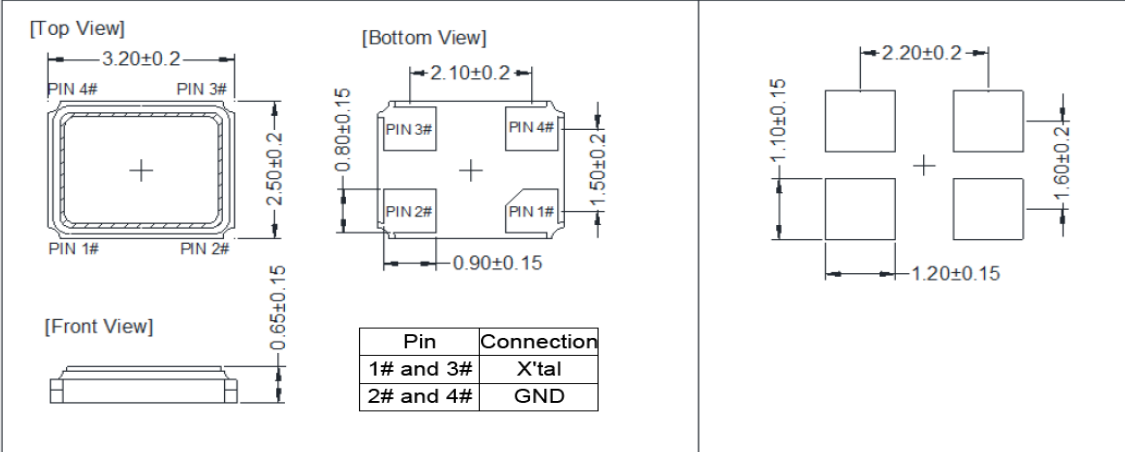
- Bluetooth, Mobile Phone, GPS
- Wireless LAN, 4G/LTE
- Hard Disk



DIMENSIONS (mm)

Product Dimensions

Solder Pad Layout Dimensions



ELECTRICAL SPECIFICATION

PARAMETERS	XMD-SMD3225			UNITS	CONDITIONS
	MIN	TYP	MAX		
Nominal Frequency	8		54	MHz	-
Mode of vibration	Fundamental				-
Frequency Tolerance	10 20 30 or specify			ppm	@+25°C±3°C
Frequency Stability	Table 2			ppm	Ref 25°C±3°C
Load Capacitance	8pF 10pF or specify			pF	-
Shunt Capacitance			2	pF	@+25°C±3°C
Equivalent Series Resistance	Table 1			Ω	-
Drive Level		10	200	μW	-
Operating Temperature Range	-40		125	°C	-
Storage Temperature	-55		125	°C	-
Aging (First Year)	-3		3	ppm	-
Insulation Resistan	500			MΩ	@DC100V

EQUIVALENT SERIES RESISTANCE (Table 1)

Frequency Range	MODE	E.S.R(Ω)
8MHz ≤ F0 ≤ 10MHz	Fundamental	200
10MHz < F0 < 16MHz	Fundamental	100
16MHz ≤ F0 ≤ 20MHz	Fundamental	60
20MHz < F0 ≤ 32MHz	Fundamental	40
32MHz < F0 ≤ 54MHz	Fundamental	30

FREQ. STABILITY vs. TEMP. RANGE (Table 2)

Temp. °C	ppm				
	±10	±15	±20	±30	±50
-10 ~ 60	○	○	○	○	○
-20 ~ 70	○	○	○	○	○
-40 ~ 85	X	△	○	○	○
-40 ~ 105	X	X	△	○	○
-40 ~ 125	X	X	X	X	○

○: Available △: Conditional X: Not available

X-ON Electronics

Largest Supplier of Electrical and Electronic Components

Click to view similar products for [Crystals](#) category:

Click to view products by [CREC](#) manufacturer:

Other Similar products are found below :

[CX3225GB25000M0PPSZ1](#) [718-13.2-1](#) [7A-40.000MAAE-T](#) [FL2000085](#) [99-BU](#) [9B-15.360MBBK-B](#) [9C-7.680MBBK-T](#) [H10S-12.000-18-EXT-TR](#) [ABC2-6.000MHZ-D4Z-T](#) [ABLS-20.000MHZ-D2-T](#) [ABS071-32.768KHZ-6-T](#) [R38-32.768-12.5-5PPM-NPB](#) [21U15A-21.4MHZ](#) [RTX-781DF1-S-20.950](#) [LFXTAL066198Cutt](#) [9C-14.31818MBBK-T](#) [A-11.000MHZ-27](#) [ABL-27.000MHZ-B4Y-T](#) [ABM11-132-24.000MHZ-T3](#) [ABM3B1-25.000MHZ-D2Y-T](#) [SPT2A-.032768B](#) [SPT2A.032768G](#) [SSPT7F-9PF20-R](#) [LFXTAL065253Cutt](#) [LFXTAL066431Cutt](#) [XT9S20ANA14M7456](#) [XT9SNLANA16M](#) [7A-24.576MBBK-T](#) [7B-30.000MBBK-T](#) [CX2520DB16000H0HPQCC](#) [MMCC2R32.7680KHZ](#) [6504-202-1501](#) [6526-202-1501](#) [ABLS-12.000MHZ-B2Y-T](#) [7A-10.000MBBK-T](#) [SG636PCE-20.000MC](#) [3404](#) [CM315D32768EZFT](#) [C1E-24.000-7-2020-R](#) [C1E-19.200-12-1530-X-R](#) [C1E-16.000-12-1530-X-R](#) [ABM11-16.000MHZ-9-B1U-T](#) [FL5000014](#) [EUCA18-3.1872M](#) [FX0800015](#) [425F35E027M0000](#) [FP0800018](#) [MS3V-T1R-32.768kHz-7pF-20PPM-TA-QC-Au](#) [VXM7-1C1-16M000](#) [MS3V-T1R-32.768kHz-9pF-20PPM-TA-QC-Au](#)