



	DATE	21-05-2021	<b>SPECIFICATION</b>	Changzhou Cre-sound Electronics Co., Ltd
	PAGE	1/8		www.cre-soundbuzzer.com
	Version	A/1		www.wj-lianhua.com
<i>MODEL NAME: LET8530DS-03L-2.7-16-R</i>				



## SPECIFICATION FOR APPROVAL


### SMD ELECTRO-MAGNETIC TRANSDUCER

Model Name	LET8530DS-03L-2.7-16-R
Note	

<b>CUSTOMER</b>	<b>Cre-sound</b>
Customer name / Stamp / Sign / Date	<b>DRAWN: 周文占</b>
	<b>CHECKED: 许海</b>
	<b>APPROVED: 宋雪琪</b>

	DATE	21-05-2021	<b>SPECIFICATION</b>	Changzhou Cre-sound Electronics Co., Ltd
	PAGE	2/8		www.cre-soundbuzzer.com
	Version	A/1		www.wj-lianhua.com
<i>MODEL NAME: LET8530DS-03L-2.7-16-R</i>				

Alteration History					
Change NO.	Note	Before of changes	After of changes	Reason	Revision
D20210315013	1	1.LET8530-16 载带 (透明)  2.内箱: 34.5×34.5× 2.5 (三层箱) 外箱: 35×32× 36.5/10 卷 (美卡箱)	1. LET8530-24 载带 (透明)  2.内箱: 34.5×34.5 ×3.7 (三层箱) 外箱: 42×35.5× 36.5/10 卷 (美卡箱)	1、由于 LET85 系 列 16 宽编带太 窄, 编带边缘不平 整, 编好产品后上 带的拉力和压力 不稳, 容易漏产 品, 故变更为 24 宽载带; 2、由于编带改宽, 内外箱等包装需 作相应变更	黄园 2021.05.21

	DATE	21-05-2021	<b>SPECIFICATION</b>	Changzhou Cre-sound Electronics Co., Ltd
	PAGE	3/8		www.cre-soundbuzzer.com
	Version	A/1		www.wj-lianhua.com
<b>MODEL NAME: LET8530DS-03L-2.7-16-R</b>				

## SMD ELECTRO-MAGNETIC TRANSDUCER

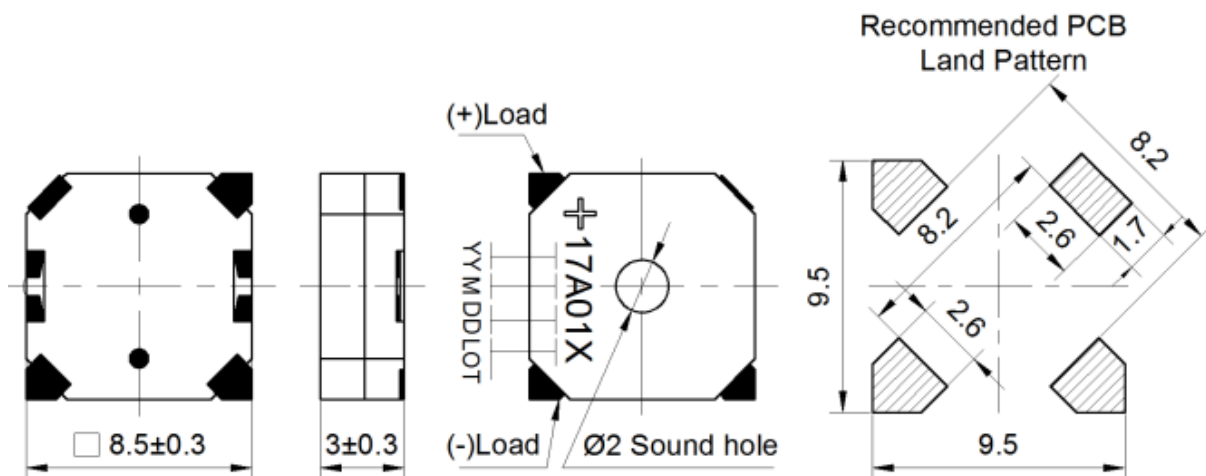
1	Model No.	LET8530DS-03L-2.7-16-R
2	Rated Voltage (V)	3
3	Operating Voltage (V)	2~5
4	☆Coil Resistance (Ω)	16±3
5	Resonant Frequency (Hz)	2700
6	☆*Sound Output at 10cm (dB)	≥85
7	☆*Current Consumption (mA)	≤80
8	Operating Temperature (°C)	-40~+105
9	Storage Temperature (°C)	-40~+120
10	Weight (g)	0.5
11	Case material and colour	LCP / Black

\*Applying rated voltage (Resonant frequency, 1/2 duty, Square wave)

☆Test Basic State: Temp(20±2°C), Humidity(40~70%RH), Air pressure(860~1060hPa).

### DIMENSIONS (UNIT: mm)


Tolerance: ±0.5mm Except Specified



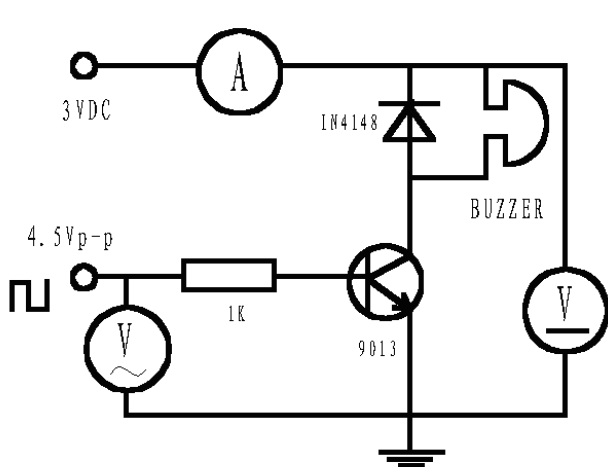
**Changzhou Cre-sound Electronics Co., Ltd**

Tel: +86-519-86321175; Fax: +86-519-86702455

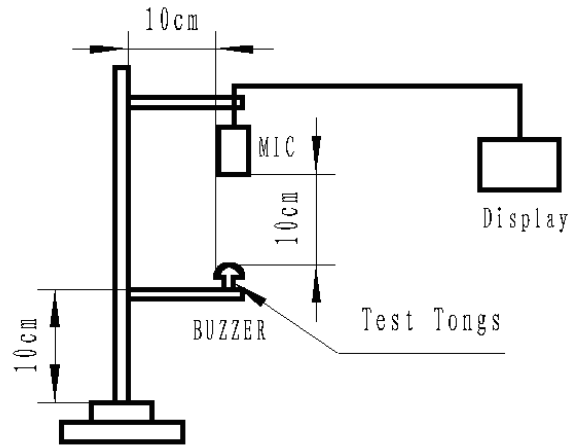
E-mail: sales3@wj-lianhua.com

	DATE	21-05-2021	<b>SPECIFICATION</b>	Changzhou Cre-sound Electronics Co., Ltd
	PAGE	4/8		www.cre-soundbuzzer.com
	Version	A/1		www.wj-lianhua.com
	<i>MODEL NAME: LET8530DS-03L-2.7-16-R</i>			

**TEST METHOD:**

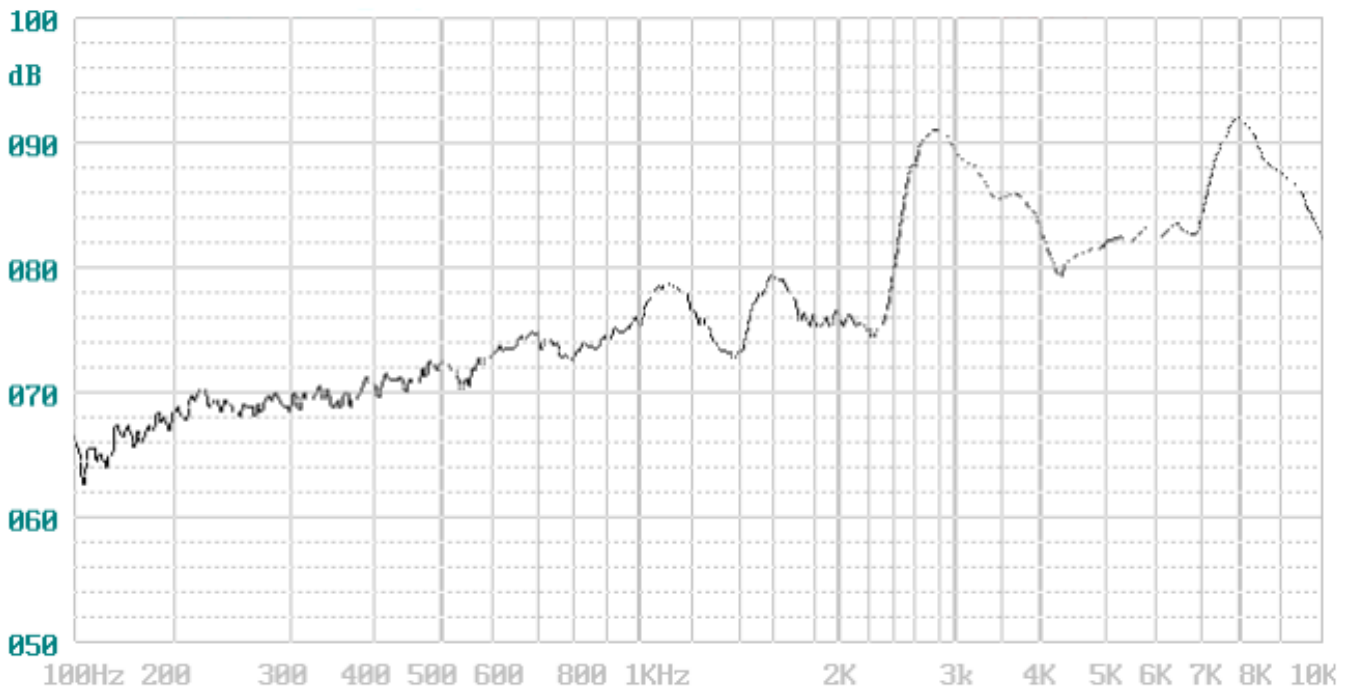



Test Circuit



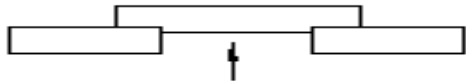
Test Equipments

**FREQUENCY RESPONSE:**



	DATE	21-05-2021	<b>SPECIFICATION</b>	Changzhou Cre-sound Electronics Co., Ltd
	PAGE	5/8		www.cre-soundbuzzer.com
	Version	A/1		www.wj-lianhua.com
	<i>MODEL NAME: LET8530DS-03L-2.7-16-R</i>			

### RELIABILITY TEST:


NO.	ITEM	TESTING CONDITION	VARIANCE AFTER TEST
1	High temp. storage	The part shall be capable of withstanding a storage temperature is $+120^{\circ}\text{C}$ for 120 hours	After being placed for 2 to 4hrs at room temp, the product shall meet specifications, except the SPL should be in $\pm 10\text{dB}$ compared with initial one.
2	Low temp. storage	The part shall be capable of withstanding a storage temperature is $-40^{\circ}\text{C}$ for 120 hours	
3	Temp. Cycle	Total 5 cycles, 1 cycle consisting of $-40 \pm 2^{\circ}\text{C}$ , 30 minutes $20 \pm 5^{\circ}\text{C}$ 15 minutes $120 \pm 2^{\circ}\text{C}$ , 30 minutes $20 \pm 5^{\circ}\text{C}$ 15 minutes	
4	Humidity Test	$40 \pm 2^{\circ}\text{C}$ , 90~95% RH, 120 hours	
5	Vibration Test	To-and-fro. sweep time (from 10 to 55 Hz and then 55 to 10Hz ) under single amplitude of 1.52mm is 1 minute. The vibration test shall consist of 2 hours per plane in each three mutually perpendicular planes for a total time of 6 hours.	The SPL shall meet specification.
6	Shock	Sounder shall be measured after being applied shock ( $980\text{m/s}^2$ ) for each three mutually perpendicular directions to each of 3 times by half sine wave.	After the test, the product shall meet specifications, except the SPL should be in $\pm 10\text{dB}$ compared with initial one.
7	Drop Test	The part only shall be dropped from the height of 70cm onto 10mm thick wooden board each 3 times in 3 axial directions(x,y&z) (a total of 9 times).	After the test part shall meet specifications without any degradation in appearance and performance.
8	Lead pull	The part shall be pushed with a force of 9.8N for $10 \pm 1$ seconds behind the part. 	The SPL shall meet specification.
9	Recommended temp. Profile for Reflow Oven	Shown in Fig.1	

**Warranty:** For a period of one year from date of manufacture under normal operations.

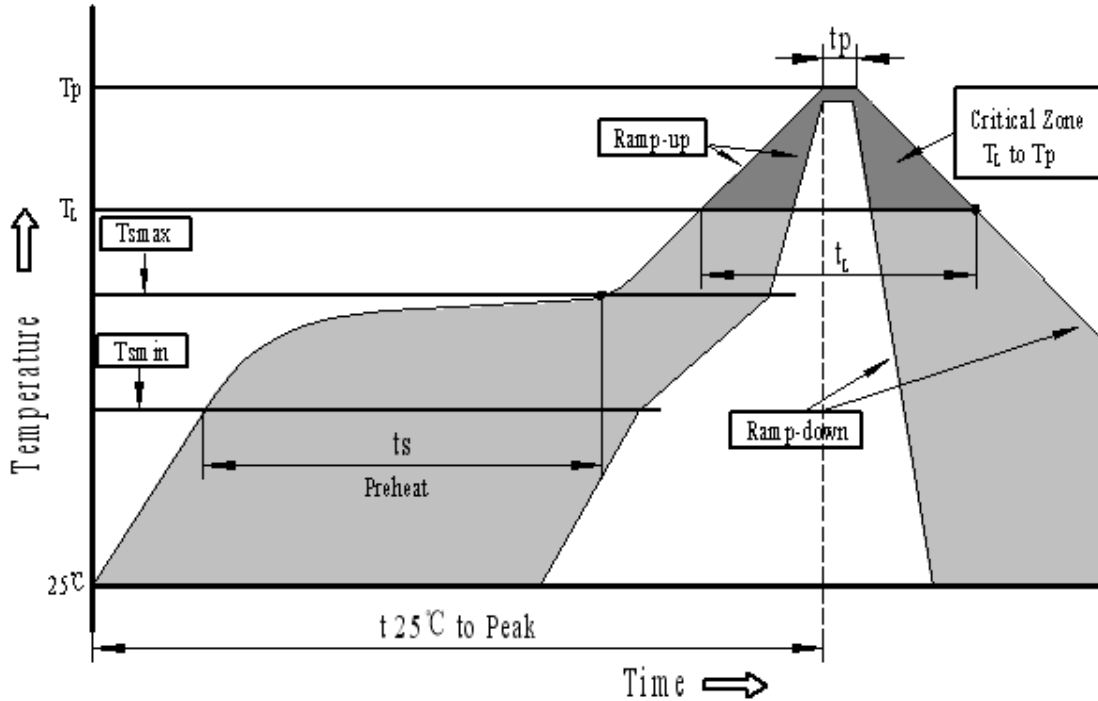
**Changzhou Cre-sound Electronics Co., Ltd**

Tel: +86-519-86321175; Fax: +86-519-86702455

E-mail: sales3@wj-lianhua.com

	DATE	21-05-2021	<b>SPECIFICATION</b>	Changzhou Cre-sound Electronics Co., Ltd
	PAGE	6/8		www.cre-soundbuzzer.com
	Version	A/1		www.wj-lianhua.com
<i>MODEL NAME: LET8530DS-03L-2.7-16-R</i>				

### Recommended Temp. Profile for Reflow Oven (Fig.1)




Profile Feature	Pb-Free Assembly
Average ramp-up rate( $T_L$ to $T_p$ )	3°C/second max.
Preheat	
-Temperature Min.( $T_{smin}$ )	150°C
-Temperature Min.( $T_{smax}$ )	200°C
-Temperature Min.( $t_s$ )	60~180 seconds
$T_{smax}$ to $T_L$	
-Ramp-up Rate	3°C/second max.
Time maintained above:	
- Temperature( $T_L$ )	217°C
-Time( $t_L$ )	60~150 seconds
Peak temperature( $T_p$ )	250°C +0/-5°C
Time within 5°C of actual Peak temperature ( $t_p$ )	6 seconds max.
Ramp-down Rate	6°C/second max.
Time 25°C to Peak Temperature	8 minutes max.

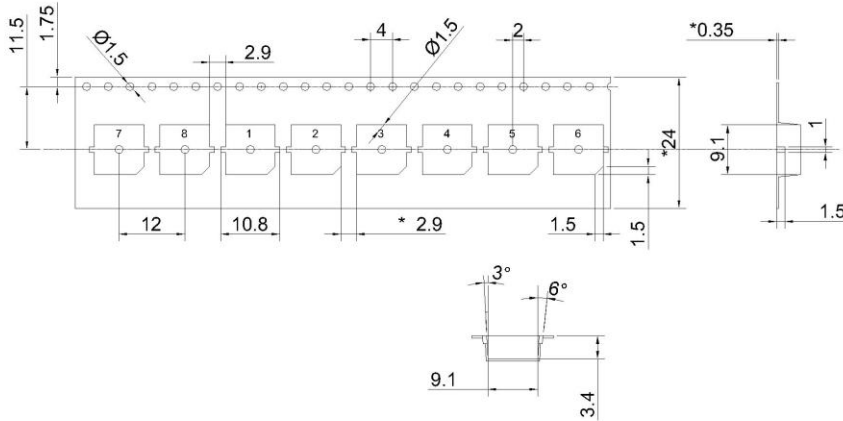
**Changzhou Cre-sound Electronics Co., Ltd**

Tel: +86-519-86321175; Fax: +86-519-86702455

E-mail:sales3@wj-lianhua.com

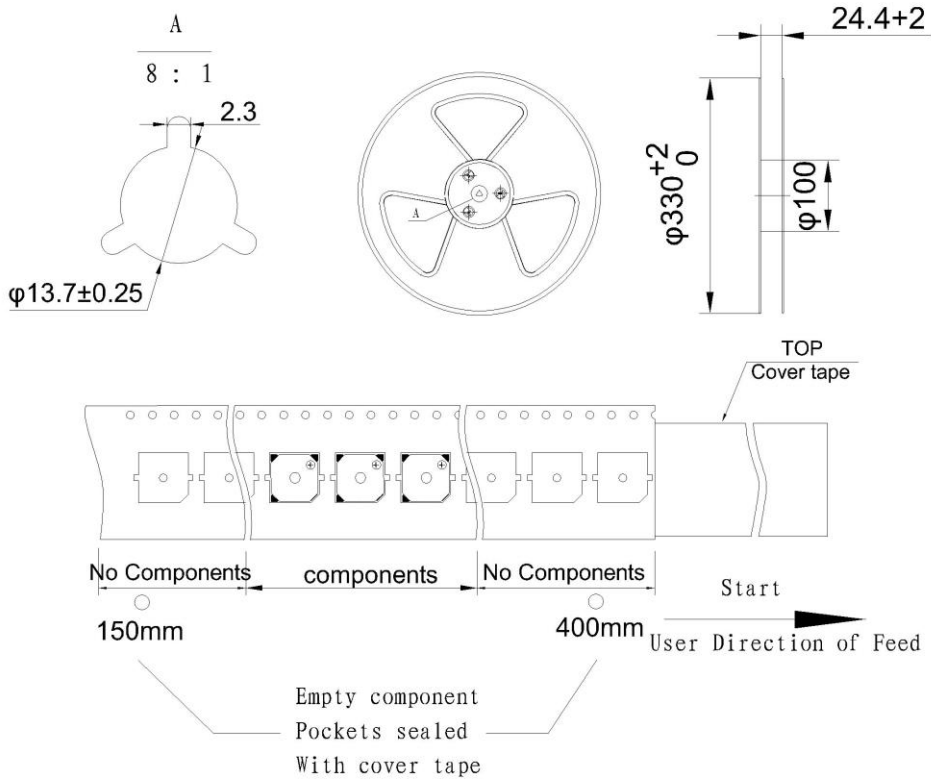
	DATE	21-05-2021	<b>SPECIFICATION</b>	Changzhou Cre-sound Electronics Co., Ltd
	PAGE	7/8		www.cre-soundbuzzer.com
	Version	A/1		www.wj-lianhua.com
<b>MODEL NAME: LET8530DS-03L-2.7-16-R</b>				

**PACKING:**




**NOTE:**

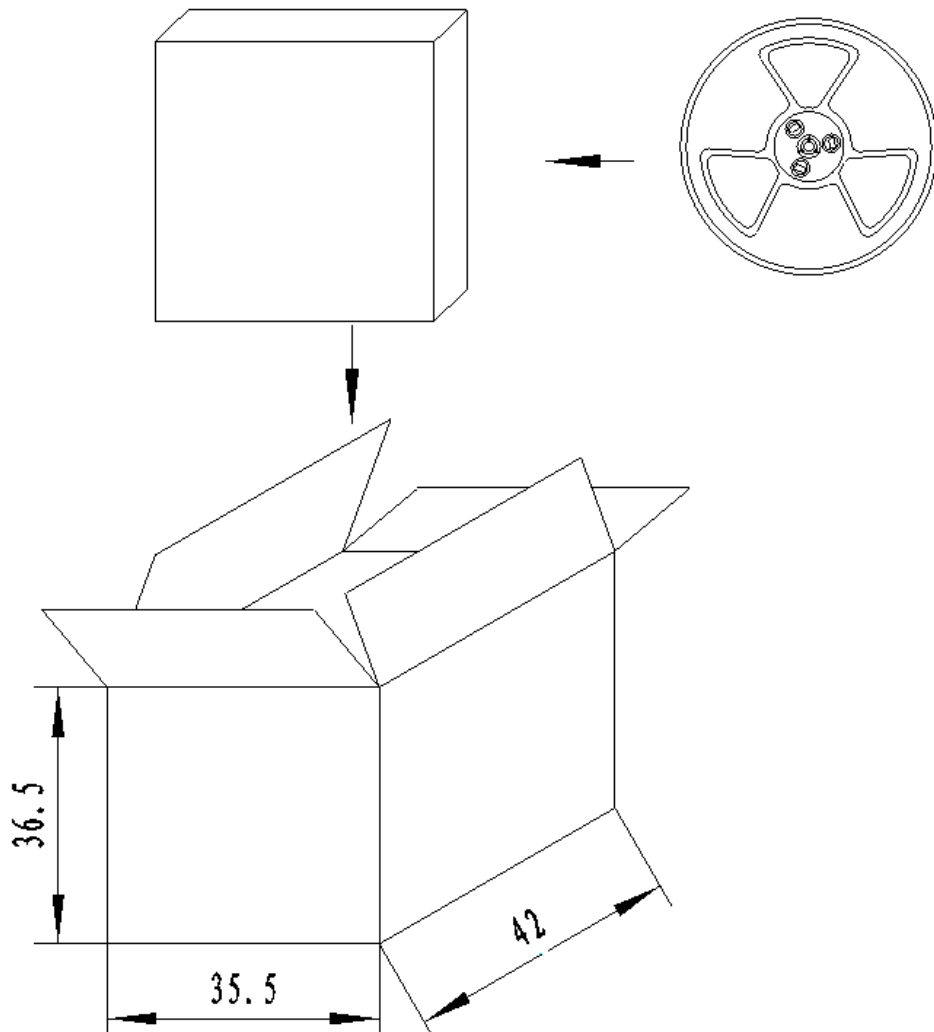
1. 10 sprocket hole pitch cumulative tolerance +/-0.20mm.
2. All dimensions meet EIA-481-D requirements.
3. Thickness: 0.35+/-0.05mm.
4. Component loaded per 13.3" reel: 1000pcs.



**Changzhou Cre-sound Electronics Co., Ltd**  
 Tel: +86-519-86321175; Fax: +86-519-86702455  
 E-mail: sales3@wj-lianhua.com

	DATE	21-05-2021	<b>SPECIFICATION</b>	Changzhou Cre-sound Electronics Co., Ltd
	PAGE	8/8		www.cre-soundbuzzer.com
	Version	A/1		www.wj-lianhua.com
	<i>MODEL NAME: LET8530DS-03L-2.7-16-R</i>			

**PACKING:**



**NOTES:**

- 1.1000 PCS per box
- 2.Total 10 boxes per carton
- 3.Total 10000 PCS carton

*Changzhou Cre-sound Electronics Co., Ltd*  
 Tel: +86-519-86321175; Fax: +86-519-86702455  
 E-mail:sales3@wj-lianhua.com



## X-ON Electronics

Largest Supplier of Electrical and Electronic Components

*Click to view similar products for [Piezo Buzzers & Audio Indicators](#) category:*

*Click to view products by [CRE-SOUND ELECTRONICS](#) manufacturer:*

Other Similar products are found below :

[6-4](#) [ESZ-26B](#) [FDG06PSLLF](#) [FDG111PLF](#) [F/EM12PLF](#) [F/NRMB 24 BLACK LF](#) [PF-35N29WQ](#) [PFD-21A29W](#) [PFD-27A35PQ](#) [PL-21N30WQ](#) [PLD-21N30W](#) [PLD-21N30WQ](#) [PT-3534FP](#) [B822B](#) [8WD4420-0EA](#) [S6109](#) [SC110E](#) [SC2036ACP](#) [SC616N-2](#) [SC628FW](#) [SC628MPG](#) [SC648D](#) [SCS045MD9DT3S](#) [ESZ-25B-5-250B](#) [ESZ-25S](#) [FSMD8585JSLF](#) [F/TCW 05 WITH LABEL LF](#) [PFD-27N36W](#) [PKM35-4A0](#) [PL-35N29WQ](#) [PLD-27A35PQ](#) [PS-552Q](#) [KBS-20DA-7AS](#) [KBS-27DA-5C-105](#) [LSC628ANR](#) [SC110FK](#) [PL-21N31PQ](#) [F-B-P1405ISB LF](#) [F/DGX 05P WITH LABEL LF](#) [F/HCW 06 WITH LABEL LF](#) [MSR516NP](#) [STA22702W](#) [STA20502](#) [SBM616J](#) [SBM616P](#) [SBM616PU](#) [SC250E](#) [SC250H](#) [SC628ADP](#) [SC628FK](#)