

	DATE	29-04-2020	SPECIFICATION	Changzhou Cre-sound Electronics Co., Ltd
	PAGE	1/8		www.cre-soundbuzzer.com
	Version	A/0		www.wj-lianhua.com
	<i>MODEL NAME: LET9045CS-03L-2.7-16-R</i>			

SPECIFICATION FOR APPROVAL


SMD ELECTRO-MAGNETIC TRANSDUCER

Model Name	LET9045CS-03L-2.7-16-R
Note	

CUSTOMER	Cre-sound
	DRAWN: 曹佳镇
	CHECKED: 许海
	APPROVED: 宋雪琪

	DATE	29-04-2020	SPECIFICATION	Changzhou Cre-sound Electronics Co., Ltd	
	PAGE	2/8		www.cre-soundbuzzer.com	
	Version	A/0		www.wj-lianhua.com	
<i>MODEL NAME: LET9045CS-03L-2.7-16-R</i>					

Alteration History					
Change NO.	Note	Before of changes	After of changes	Reason	Revision

	DATE	29-04-2020	SPECIFICATION	Changzhou Cre-sound Electronics Co., Ltd
	PAGE	3/8		www.cre-soundbuzzer.com
	Version	A/0		www.wj-lianhua.com
<i>MODEL NAME: LET9045CS-03L-2.7-16-R</i>				

SMD ELECTRO-MAGNETIC TRANSDUCER

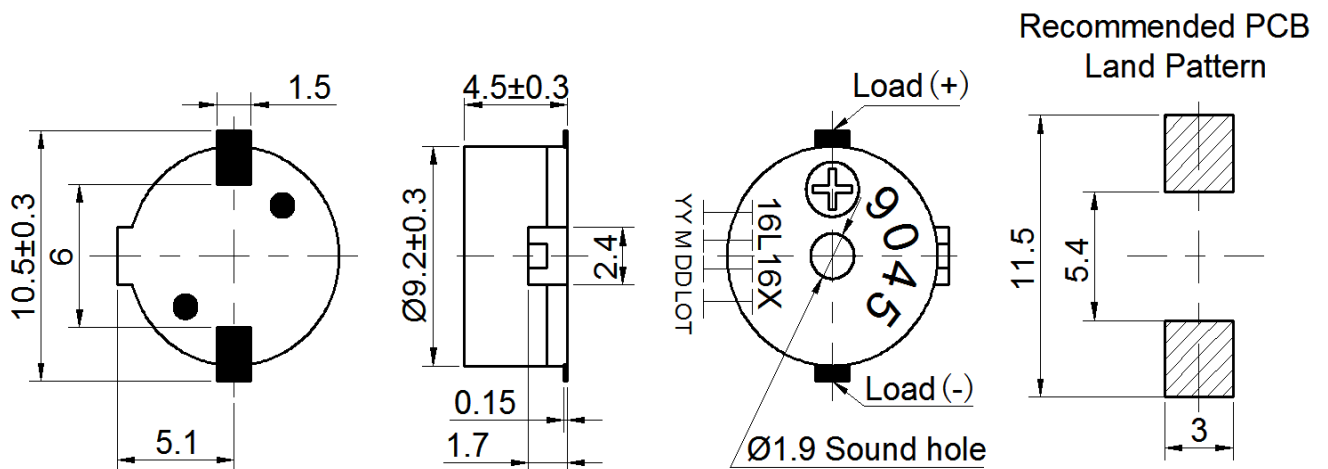
NO.	Model No.	LET9045CS-03L-2.7-16-R
1	Rated Voltage (V)	3
2	Operating Voltage (V)	2~5
3	☆Coil Resistance (Ω)	16 ± 3
4	Resonant Frequency (Hz)	2700
5	☆*Sound Output at 10cm (dB)	≥ 95
6	☆*Current Consumption (mA)	≤ 80
7	Operating Temperature ($^{\circ}\text{C}$)	-40~+105
8	Storage Temperature ($^{\circ}\text{C}$)	-40~+120
9	Weight (g)	0.4
10	Housing Material	LCP
11	RoHS	Yes

*Applying rated voltage (Resonant frequency, 1/2 duty, Square wave)

☆Test Basic State: Temp($20 \pm 2^{\circ}\text{C}$), Humidity(40~70%RH), Air pressure(860~1060hPa).

DIMENSIONS (UNIT: mm)


Tolerance: $\pm 0.5\text{mm}$ Except Specified



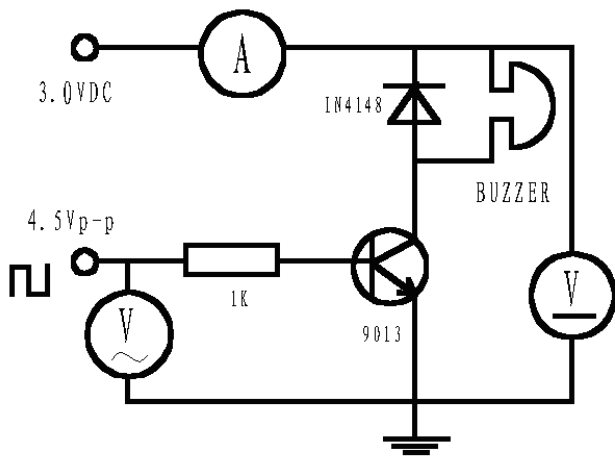
Changzhou Cre-sound Electronics Co., Ltd

Tel: +86-519-86321175; Fax: +86-519-86702455

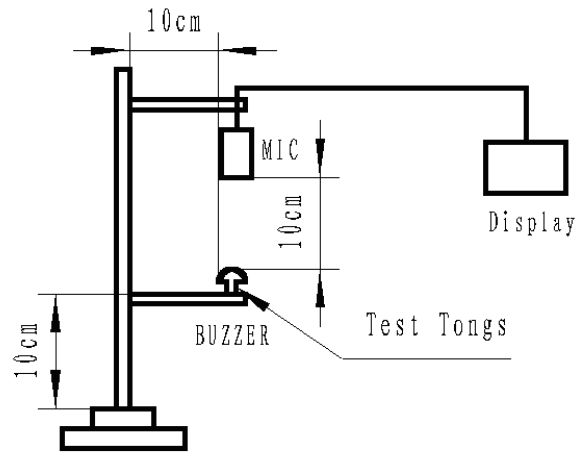
E-mail: sales3@wj-lianhua.com

	DATE	29-04-2020	SPECIFICATION	Changzhou Cre-sound Electronics Co., Ltd
	PAGE	4/8		www.cre-soundbuzzer.com
	Version	A/0		www.wj-lianhua.com
	<i>MODEL NAME: LET9045CS-03L-2.7-16-R</i>			

TEST METHOD:

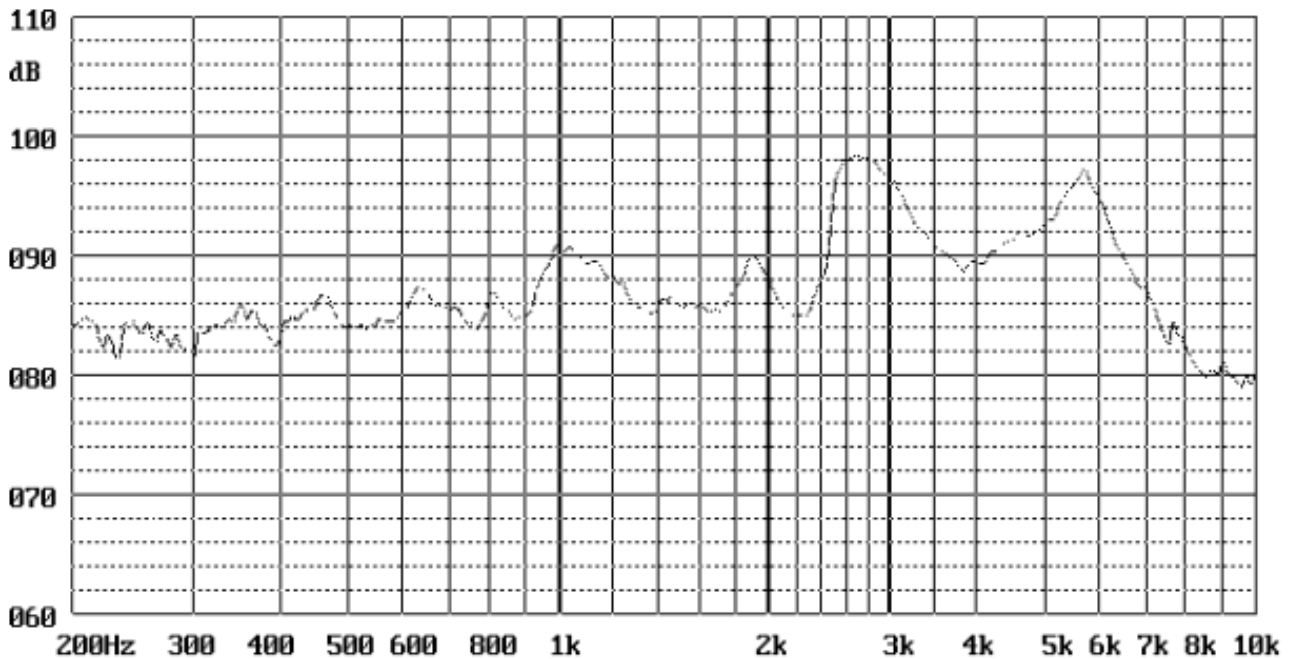


Test Circuit



Test Equipis


FREQUENCY RESPONSE:



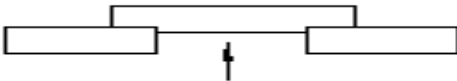
Changzhou Cre-sound Electronics Co., Ltd

Tel: +86-519-86321175; Fax: +86-519-86702455

E-mail:sales3@wj-lianhua.com

	DATE	29-04-2020	SPECIFICATION	Changzhou Cre-sound Electronics Co., Ltd
	PAGE	5/8		www.cre-soundbuzzer.com
	Version	A/0		www.wj-lianhua.com
	<i>MODEL NAME: LET9045CS-03L-2.7-16-R</i>			

RELIABILITY TEST:


NO.	ITEM	TESTING CONDITION	VARIANCE AFTER TEST
1	High temp. storage	The part shall be capable of withstanding a storage temperature is $+120^{\circ}\text{C}$ for 120 hours	After being placed for 2 to 4hrs at room temp, the product shall meet specifications, except the SPL should be in $\pm 10\text{dB}$ compared with initial one.
2	Low temp. storage	The part shall be capable of withstanding a storage temperature is -40°C for 120 hours	
3	Temp. Cycle	Total 5 cycles, 1 cycle consisting of $-40 \pm 2^{\circ}\text{C}$, 30 minutes $20 \pm 5^{\circ}\text{C}$ 15 minutes $120 \pm 2^{\circ}\text{C}$, 30 minutes $20 \pm 5^{\circ}\text{C}$ 15 minutes	
4	Humidity Test	$40 \pm 2^{\circ}\text{C}$, 90~95% RH, 120 hours	
5	Vibration Test	To-and-fro. sweep time (from 10 to 55 Hz and then 55 to 10Hz) under single amplitude of 1.52mm is 1 minute. The vibration test shall consist of 2 hours per plane in each three mutually perpendicular planes for a total time of 6 hours.	The SPL shall meet specification.
6	Shock	Sounder shall be measured after being applied shock (980m/s^2) for each three mutually perpendicular directions to each of 3 times by half sine wave.	After the test, the product shall meet specifications, except the SPL should be in $\pm 10\text{dB}$ compared with initial one.
7	Drop Test	The part only shall be dropped from the height of 70cm onto 10mm thick wooden board each 3 times in 3 axial directions(x,y&z) (a total of 9 times).	After the test part shall meet specifications without any degradation in appearance and performance.
8	Lead pull	The part shall be pushed with a force of 9.8N for 10 ± 1 seconds behind the part. 	The SPL shall meet specification.
9	Recommended temp. Profile for Reflow Oven	Shown in Fig.1	The SPL shall meet specification.

Warranty: For a period of one year from date of manufacture under normal operations.

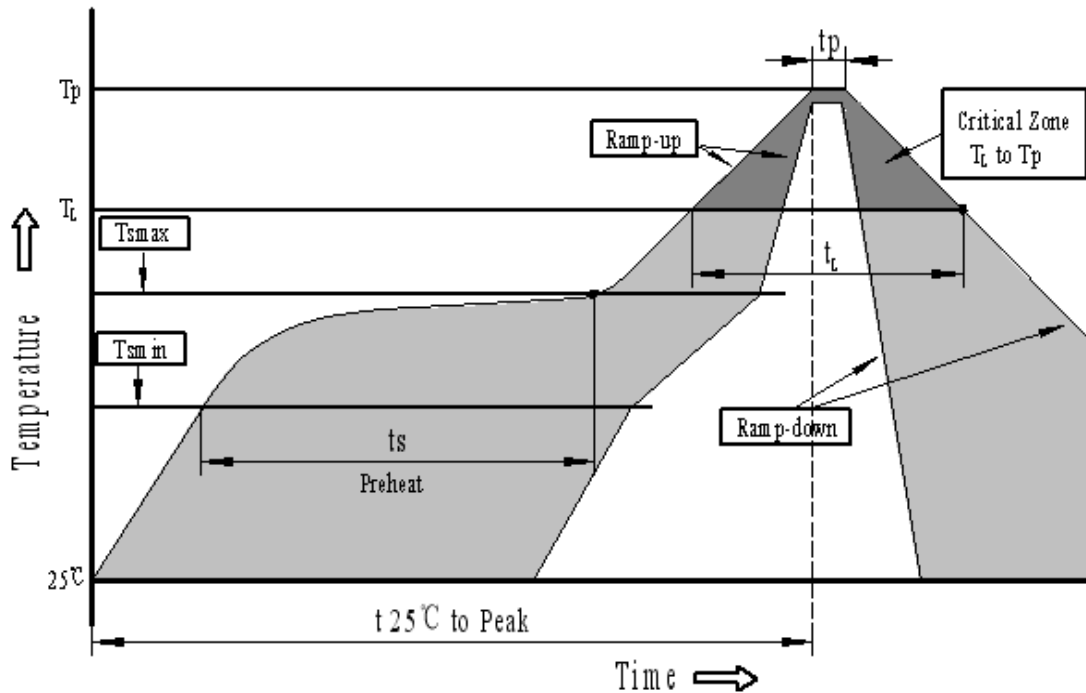
Changzhou Cre-sound Electronics Co., Ltd

Tel: +86-519-86321175; Fax: +86-519-86702455

E-mail:sales3@wj-lianhua.com

	DATE	29-04-2020	SPECIFICATION	Changzhou Cre-sound Electronics Co., Ltd
	PAGE	6/8		www.cre-soundbuzzer.com
	Version	A/0		www.wj-lianhua.com
<i>MODEL NAME: LET9045CS-03L-2.7-16-R</i>				

Recommended Temp. Profile for Reflow Oven (Fig.1)




Profile Feature	Pb-Free Assembly
Average ramp-up rate(T_L to T_p)	3°C/second max.
Preheat	
-Temperature Min.(T_{smin})	150°C
-Temperature Min.(T_{smax})	200°C
-Temperature Min.(t_s)	60~180 seconds
T_{smax} to T_L	
-Ramp-up Rate	3°C/second max.
Time maintained above:	
- Temperature(T_L)	217°C
-Time(t_L)	60~150 seconds
Peak temperature(T_p)	250°C+0/-5°C
Time within 5°C of actual Peak temperature (t_p)	6 seconds max.
Ramp-down Rate	6°C/second max.
Time 25°C to Peak Temperature	8 minutes max.

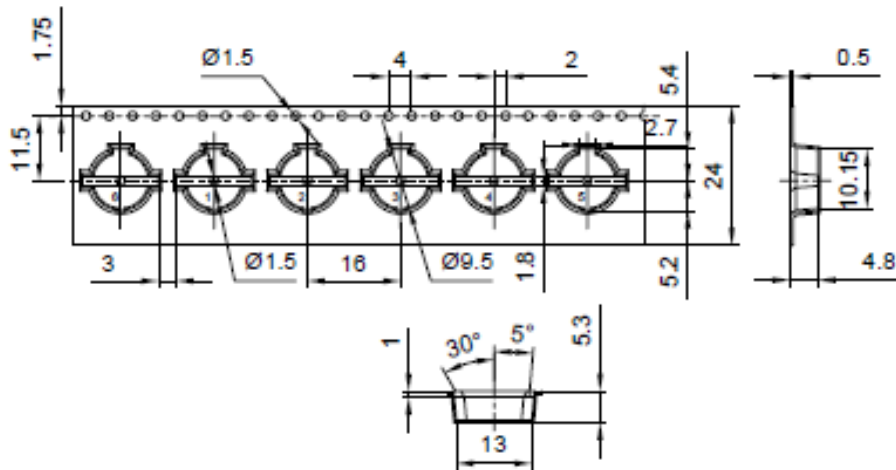
Changzhou Cre-sound Electronics Co., Ltd

Tel: +86-519-86321175; Fax: +86-519-86702455

E-mail:sales3@wj-lianhua.com

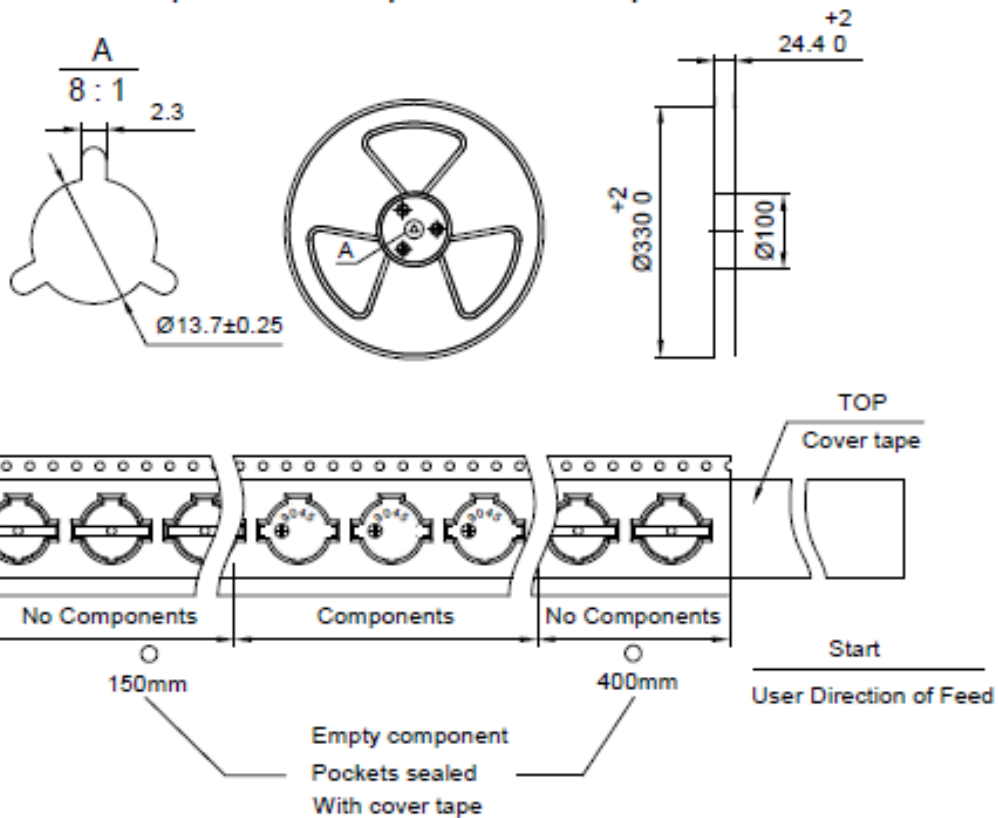
	DATE	29-04-2020	SPECIFICATION	Changzhou Cre-sound Electronics Co., Ltd
	PAGE	7/8		www.cre-soundbuzzer.com
	Version	A/0		www.wj-lianhua.com
MODEL NAME: LET9045CS-03L-2.7-16-R				

PACKING:



NOTE:


1. 10 sprocket hole pitch cumulative tolerance $\pm 0.20\text{mm}$.
2. All dimensions meet EIA-481-D requirements.
3. Thickness: $0.5 \pm 0.05\text{mm}$.
4. Component loaded per 13" reel: 800 pcs.



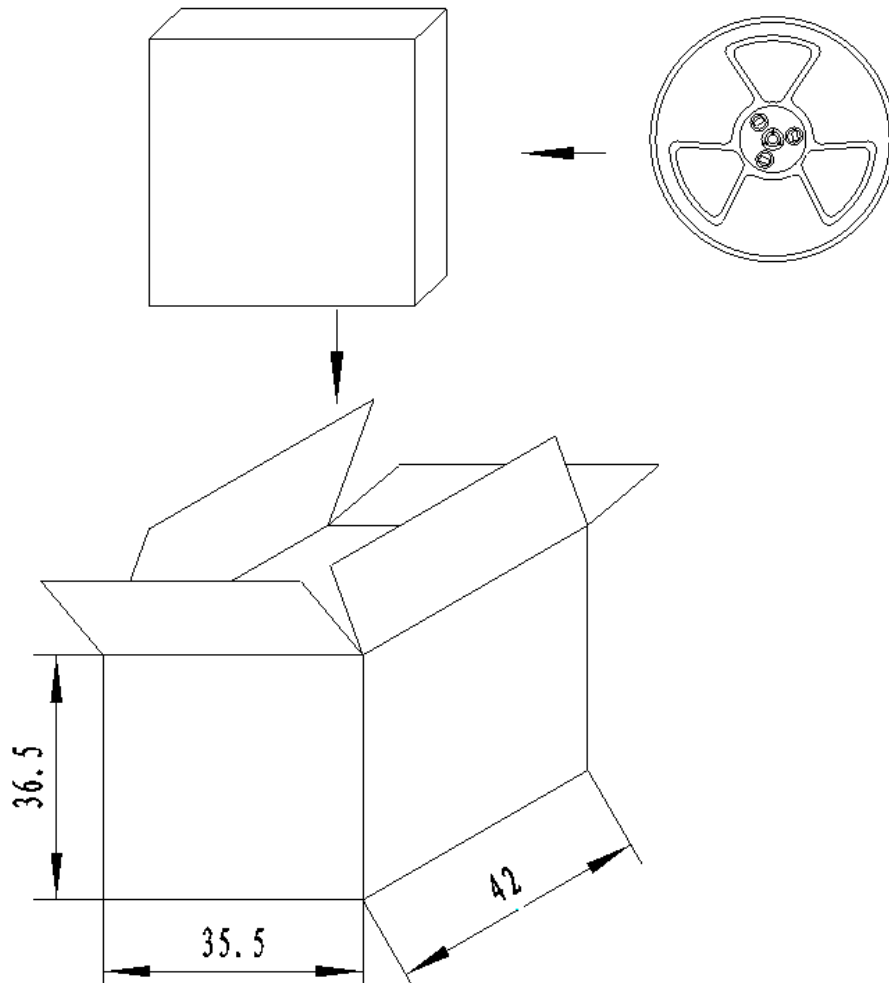
Changzhou Cre-sound Electronics Co., Ltd

Tel: +86-519-86321175; Fax: +86-519-86702455

E-mail: sales3@wj-lianhua.com

	DATE	29-04-2020	SPECIFICATION	Changzhou Cre-sound Electronics Co., Ltd
	PAGE	8/8		www.cre-soundbuzzer.com
	Version	A/0		www.wj-lianhua.com
	<i>MODEL NAME: LET9045CS-03L-2.7-16-R</i>			

PACKING:



NOTES:

- 1.800PCS per box
- 2.Total 10 boxes per carton
- 3.Total 8000 PCS carton

Changzhou Cre-sound Electronics Co., Ltd
 Tel: +86-519-86321175; Fax: +86-519-86702455
 E-mail:sales3@wj-lianhua.com

X-ON Electronics

Largest Supplier of Electrical and Electronic Components

Click to view similar products for [Piezo Buzzers & Audio Indicators](#) category:

Click to view products by [CRE-SOUND ELECTRONICS](#) manufacturer:

Other Similar products are found below :

[6-4](#) [ESZ-26B](#) [FDG06PSLLF](#) [FDG111PLF](#) [F/EM12PLF](#) [F/NRMB 24 BLACK LF](#) [PF-35N29WQ](#) [PFD-21A29W](#) [PFD-27A35PQ](#) [PL-21N30WQ](#) [PLD-21N30W](#) [PLD-21N30WQ](#) [PT-3534FP](#) [B822B](#) [8WD4420-0EA](#) [S6109](#) [SC110E](#) [SC2036ACP](#) [SC616N-2](#) [SC628FW](#) [SC628MPG](#) [SC648D](#) [SCS045MD9DT3S](#) [ESZ-25B-5-250B](#) [ESZ-25S](#) [FSMD8585JSLF](#) [F/TCW 05 WITH LABEL LF](#) [PFD-27N36W](#) [PKM35-4A0](#) [PL-35N29WQ](#) [PLD-27A35PQ](#) [PS-552Q](#) [KBS-20DA-7AS](#) [KBS-27DA-5C-105](#) [LSC628ANR](#) [SC110FK](#) [PL-21N31PQ](#) [F-B-P1405ISB LF](#) [F/DGX 05P WITH LABEL LF](#) [F/HCW 06 WITH LABEL LF](#) [MSR516NP](#) [STA22702W](#) [STA20502](#) [SBM616J](#) [SBM616P](#) [SBM616PU](#) [SC250E](#) [SC250H](#) [SC628ADP](#) [SC628FK](#)