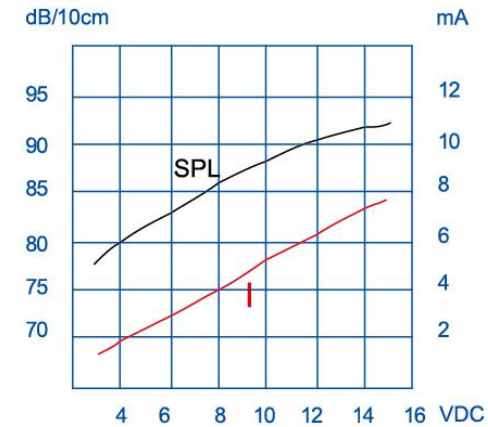


Product Code:

LPB1475B-TO-12-4.0-7.6-R


Picture:

SPL & Current Consumption vs. Input Voltage:

Specification:

| | | |
|-----------------------|-------|------------|
| Rated Voltage | (VDC) | 12 |
| Operating Voltage | (VDC) | 3~16 |
| *Rated Current | (mA) | ≤12 |
| *Sound Output at 10cm | (dB) | ≥85 |
| *Resonance Frequency | (KHz) | 4.0±0.5 |
| Tone | | Continuous |
| Operating Temperature | (°C) | -40~+85 |
| Storage Temperature | (°C) | -40~+90 |
| Weight | (g) | 0.96 |
| Housing Material | | PPO |
| RoHS | | Yes |

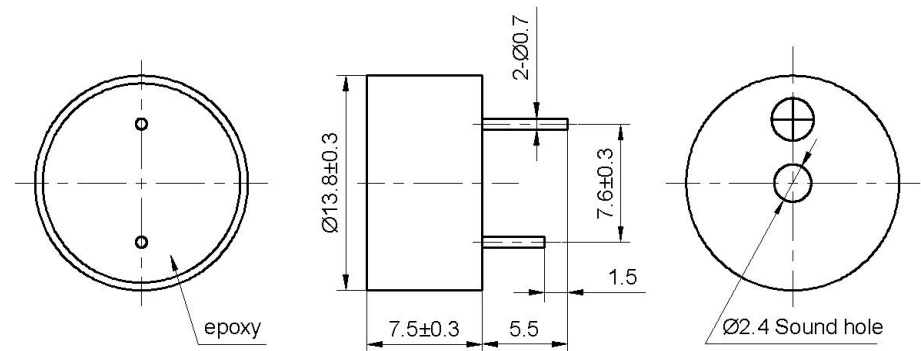
Remark: The special requirements in the test for no anti reverse connection.

*Value applying at rated voltage.

Test basic state: Temp(20±2°C) , Humidity(40~70%RH) , Air pressure(860~1060hPa).

Dimensions (Unit: mm)

Tolerance: ±0.5mm Except Specified



X-ON Electronics

Largest Supplier of Electrical and Electronic Components

Click to view similar products for [CRE-SOUND ELECTRONICS](#) manufacturer:

Other Similar products are found below :

[LEB1614-06B-2.3-7.6-R-LAB](#) [LEB1614-12B-2.3-7.6-R-LAB](#) [LEB9055B-05B-2.7-5.0-R](#) [LET5030DS-03L-4.0-12-R](#) [LPB1475B-TO-12-4.0-7.6-R-LAB](#) [LPB1580DS-HS-05-4.0-R](#) [LPB2418A-TB-12-2.8-15.0-R](#) [LPB2418A-TB-12-3.5-15.0-R](#) [LPB3020B-TB-12-3.5-15.0-R](#) [LPB3095W1005-TA-12-3.5-R](#) [LPB4216SW1003-TA-12-2.8-R](#) [LPB4216SW1405-TA-12-2.8-R](#) [LPT1770A-TB-05-4.0-15-10.0-R](#) [LPT1770H-TO-05-4.0-14-10.0-R](#)