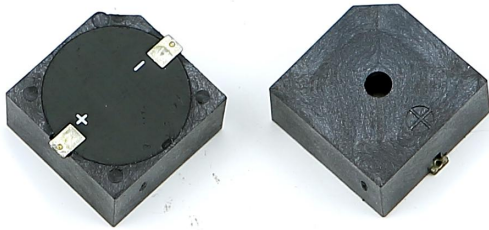


Product Code:

LPB1580DS-HS-05-4.0-R


Picture:

Specification:

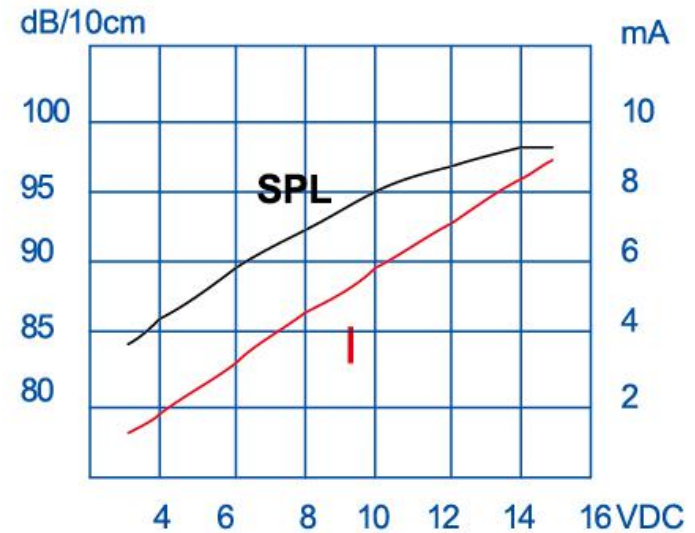
Rated Voltage	(VDC)	5
Operating Voltage	(VDC)	3~16
*Rated Current	(mA)	≤5
*Sound Output at 10cm	(dB)	≥80
*Resonance Frequency	(KHz)	4.0±0.5
Tone		Continuous
Operating Temperature	(°C)	-40~+85
Storage Temperature	(°C)	-40~+90
Weight	(g)	1.7
Housing Material		PPS
RoHS		Yes
MSL(Moisture Sensitivity Level)		5a(≤30°C/60%RH 24H Floor life)

Remark: The special requirements in the test for no anti reverse connection.

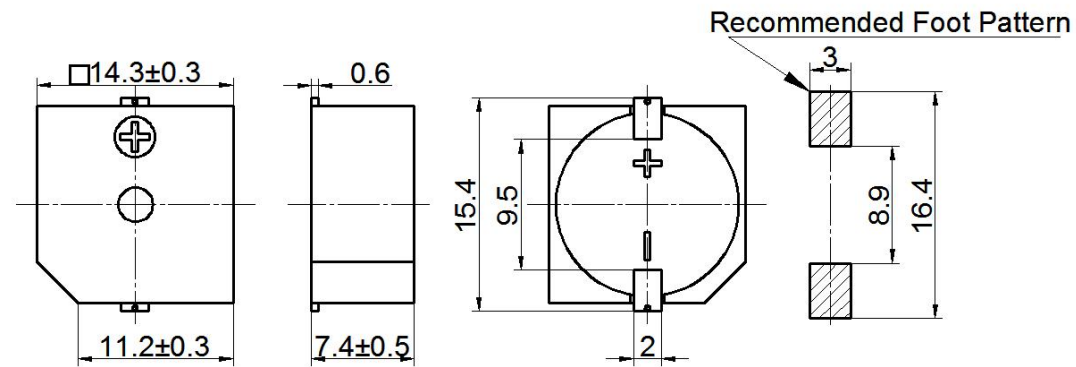
*Value applying at rated voltage.

SPL & Current Consumption vs. Input Voltage:

Test basic state: Temp(20±2°C) , Humidity(40~70%RH) , Air pressure(860~1060hPa).


Dimensions (Unit: mm)

Tolerance: ±0.5mm Except Specified



X-ON Electronics

Largest Supplier of Electrical and Electronic Components

Click to view similar products for [Speakers & Transducers](#) category:

Click to view products by [CRE-SOUND ELECTRONICS](#) manufacturer:

Other Similar products are found below :

[AS02016MR-2-R](#) [PB-1220PE](#) [PB-2015PQ](#) [900-00001](#) [SMT-2240-TW-2-R](#) [SWFK-31736-000](#) [PT-2065FW](#) [PT-4175W](#) [AT-2830-TW-LW35-R](#) [ED-30761-000](#) [ED-31305-163](#) [CI-30120-A42](#) [TWFK-23991-000](#) [PB-0927PQ](#) [BF-7083-000](#) [AB6505B](#) [BF-9778-000](#) [AS01708MR-SC-2-R](#) [AT-5030-TF-2-LW100-R](#) [AST-03008MR-R](#) [AS01308MR-2-R](#) [AS01808AO-WP-R](#) [AS01508MR-6-R](#) [AS07108PO-R](#) [AS07708PS-2-WR-R](#) [AS07104PO-R](#) [SMS2020-08H4.5 LF](#) [BDT1717-08H6.5W56MLF](#) [SMS-2008MS-R](#) [AS04008PS-4W-WR-R](#) [AS06608PS-WR-R](#) [BLS50-1-08H18.2B-03 LF](#) [AS07008PO-2-R](#) [AS03008MR-R](#) [AS01808AO-3-R](#) [AS04008CO-2-R](#) [AS04008PR-WR-R](#) [ASE03008MR-LW150-R](#) [AS01808MR-LW152-R](#) [AS01808MR-R](#) [AS03608MR-4-R](#) [AS06608PS-R](#) [AS07708PS-2-R](#) [ASE06008MR-LW150-R](#) [ASE02008MR-LW150-R](#) [AST-1732MR-R](#) [SMS-1508MS-2-R](#) [AS05708MR-R](#) [AS05008MR-R](#) [APS3008S-R](#)