
	DATE	10-11-2022	<b>SPECIFICATION</b>	ChangZhou Cre-Sound Cre-Sound Electronics Co.,Ltd.
	PAGE	1/5		www.cre-soundbuzzer.com
	Rev.	A/0		www.wj-Lianhua.com
<i>MODEL NAME: LPT3308AZ-GB-24-3.25-120-R</i>				


## SPECIFICATION FOR APPROVAL PIEZO TRANSDUCER

Model Name	LPT3308AZ-GB-24-3.25-120-R
Note	

<b>Product Photo</b>	<b>Cre-Sound</b>
	DRAWING: <b>姚宝鑫</b>
	CHECKED: <b>韦 娟</b>
	APPROVED: <b>宋雪琪</b>
<b>Customer Confirmation:</b>	

**ChangZhou Cre-Sound Electronics Co.,Ltd.**  
**Tel: +86-519-86321175; Fax: +86-519-86702455**  
**E-mail: martin@wj-lianhua.com**



	DATE	10-11-2022	<b>SPECIFICATION</b>	ChangZhou Cre-Sound Cre-Sound Electronics Co.,Ltd.
	PAGE	3/5		www.cre-soundbuzzer.com
	Rev.	A/0		www.wj-Lianhua.com
<b>MODEL NAME: LPT3308AZ-GB-24-3.25-120-R</b>				

### Technical Terms:

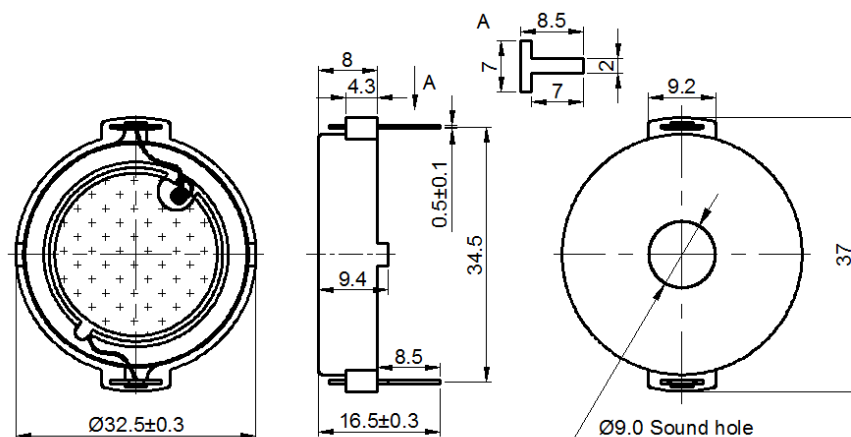
No.	Technical terms	Value
1	Rated Voltage (Vp-p)	24
2	Max Input Voltage (Vp-p)	50
3	*Rated Current(mA)	≤80
4	Capacitance at 120Hz (nF)	120 ± 30%
5	*Sound Output at 3 m(dB)	≥90
6	Resonance Frequency (Hz)	3250 ± 500
7	Operating Temperature(°C)	-20~+60
8	Storage Temperature(°C)	-30~+70
9	Weight (g)	3.5
10	Housing Material	PBT
11	RoHS	Yes

\*Applying rated voltage (at 3250Hz, 1/2 duty , square wave)

Test Basic State: Temp(20 ± 2°C), Humidity(40~70%RH), Air pressure(860~1060hPa).

### Dimensions (UNIT: mm):


Tolerance: ±0.5mm Except Specified



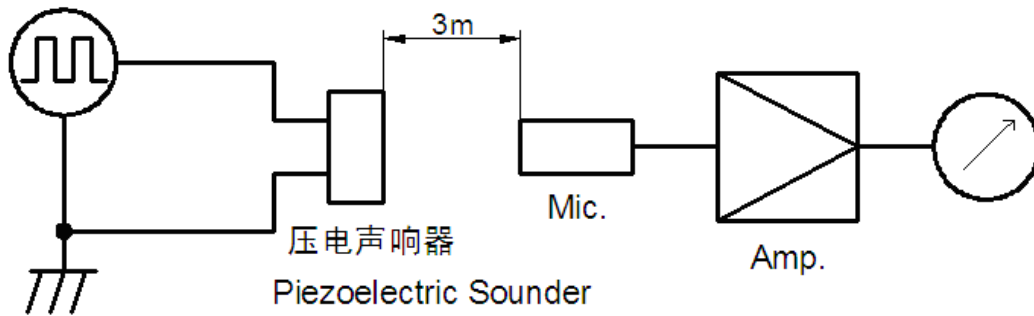
**ChangZhou Cre-Sound Electronics Co.,Ltd.**

**Tel: +86-519-86321175; Fax: +86-519-86702455**

**E-mail: martin@wj-lianhua.com**

	DATE	10-11-2022	<b>SPECIFICATION</b>	ChangZhou Cre-Sound Cre-Sound Electronics Co.,Ltd.
	PAGE	4/5		www.cre-soundbuzzer.com
	Rev.	A/0		www.wj-Lianhua.com
<b>MODEL NAME: LPT3308AZ-GB-24-3.25-120-R</b>				

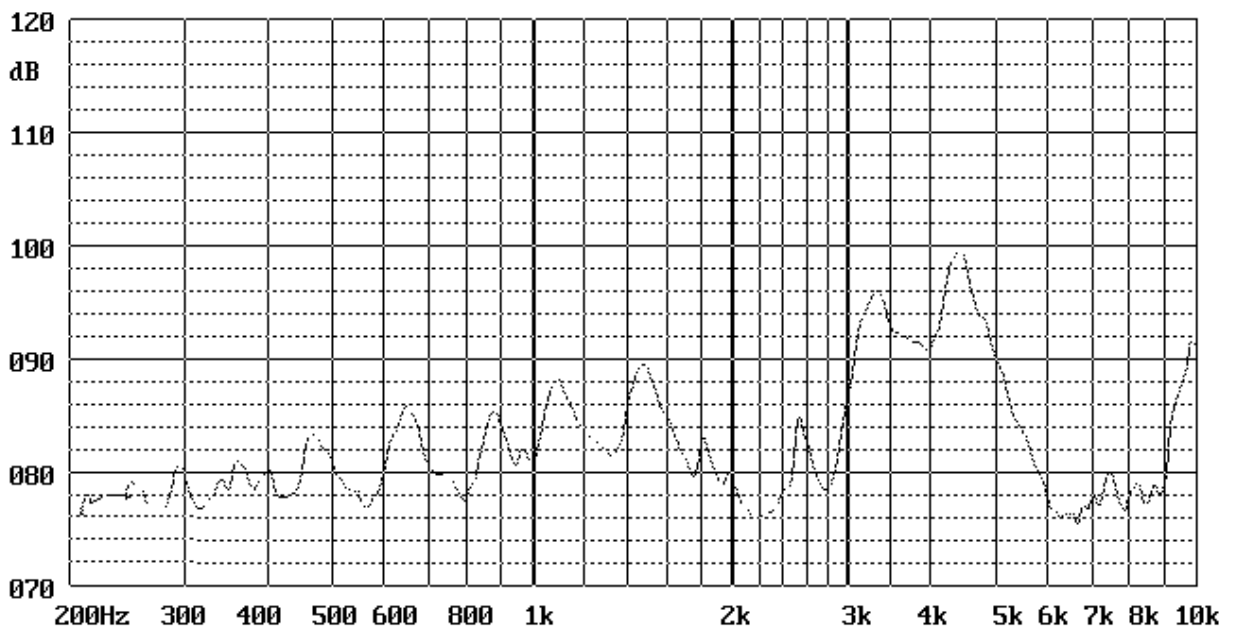
**Test Method:**




MIC: ND10 普通声级计或等同品  
MIC: ND10 Sound Meter or equivalent

信号发生器: DF1641D或等同品  
Signal Generator: DF1641D or equivalent

**Frequency Response:**



**ChangZhou Cre-Sound Electronics Co.,Ltd.**  
**Tel: +86-519-86321175; Fax: +86-519-86702455**  
**E-mail: martin@wj-lianhua.com**

	DATE	10-11-2022	<b>SPECIFICATION</b>	ChangZhou Cre-Sound Cre-Sound Electronics Co.,Ltd.
	PAGE	5/5		www.cre-soundbuzzer.com
	Rev.	A/0		www.wj-Lianhua.com
	<i>MODEL NAME: LPT3308AZ-GB-24-3.25-120-R</i>			

## Reliability Test:


### ● Environment Test:

No.	Item	Test condition	Evaluation standard
1	High temp. test	+70±2°C, 96Hrs	After being placed for 2 to 4hrs at room temp, the product shall meet specifications, except the SPL should be in ±10dB compared with initial one.
2	Low temp. test	-30±2°C, 96Hrs	
3	Humidity test	40±2°C ,93(+2/-3)%RH for 96Hrs	
4	Temp. cycle test	-30±2°C, 30minutes +20±2°C, 15 minutes +70±2°C, 30 minutes +20±2°C, 15 minutes 5 cycles	

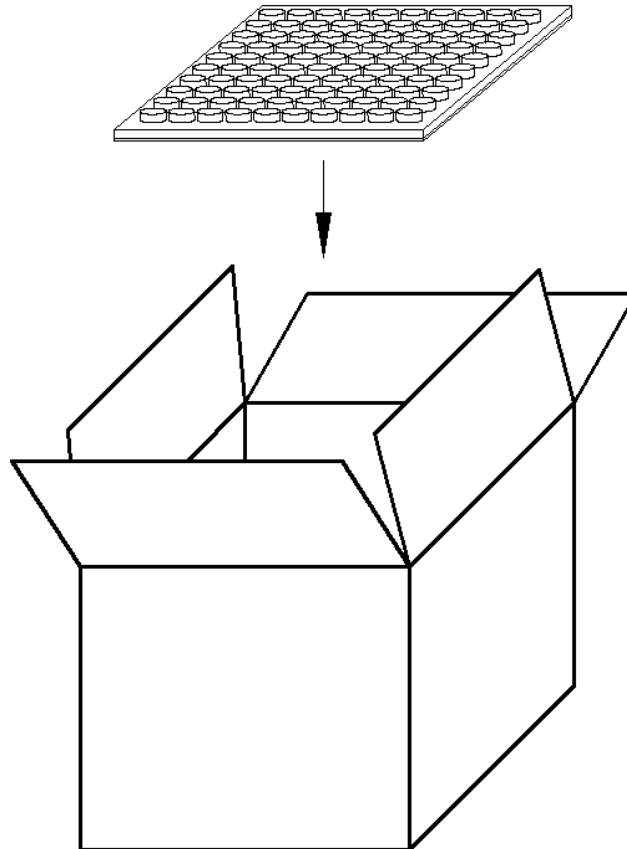
### ● Mechanical Characteristics:

No.	Item	Test condition	Evaluation standard
1	Solder ability	Pin terminals are immersed in rosin for 5 seconds and then immersed in solder bath of 270±5°C for 3±1s.	90% min. lead terminals shall be wet with solder.(Except the edge of terminal)
2	Soldering heat resistance	Pin terminals are immersed up to 1.5mm from part's body in solder bath of 260±5°C for 10±1s.Refer to GB2423.28.	No interference in operation
3	Vibration	1.5 mm with 10 to 55Hz band of vibration frequency to each of 3 perpendicular directions for 2 hrs.	The SPL should meet specification.
4	Drop test	The part only shall be dropped from the height of 70cm onto 10mm thick wooden board each 3 times in 3 axial directions(x,y&z) (a total of 9 times).	After the test part shall meet specifications, except the SPL should be in ±10dB compared with initial one.

**ChangZhou Cre-Sound Electronics Co.,Ltd.**  
**Tel: +86-519-86321175; Fax: +86-519-86702455**  
**E-mail:martin@wj-lianhua.com**

	DATE	10-11-2022	<b>SPECIFICATION</b>	ChangZhou Cre-Sound Cre-Sound Electronics Co.,Ltd.
	PAGE	5/5		www.cre-soundbuzzer.com
	Rev.	A/0		www.wj-Lianhua.com
<i>MODEL NAME: LPT3308AZ-GB-24-3.25-120-R</i>				

**Packing:**



**NOTES:**

- 1.100 PCS per layer
- 2.Total 20 layers per carton
- 3.Total 2000 PCS carton
- 4.Volum:37.5\*37.5\*42.5cm

**ChangZhou Cre-Sound Electronics Co.,Ltd.**  
**Tel: +86-519-86321175; Fax: +86-519-86702455**  
**E-mail:martin@wj-lianhua.com**

## X-ON Electronics

Largest Supplier of Electrical and Electronic Components

*Click to view similar products for [Piezo Buzzers & Audio Indicators](#) category:*

*Click to view products by [CRE-SOUND ELECTRONICS](#) manufacturer:*

Other Similar products are found below :

[6-4](#) [ESZ-26B](#) [FDG06PSLLF](#) [FDG111PLF](#) [F/EM12PLF](#) [F/NRMB 24 BLACK LF](#) [PF-35N29WQ](#) [PFD-21A29W](#) [PFD-27A35PQ](#) [PL-21N30WQ](#) [PLD-21N30W](#) [PLD-21N30WQ](#) [PT-3534FP](#) [B822B](#) [8WD4420-0EA](#) [S6109](#) [SC110E](#) [SC2036ACP](#) [SC616N-2](#) [SC628FW](#) [SC628MPG](#) [SC648D](#) [SCS045MD9DT3S](#) [ESZ-25B-5-250B](#) [ESZ-25S](#) [FSMD8585JSLF](#) [F/TCW 05 WITH LABEL LF](#) [PFD-27N36W](#) [PKM35-4A0](#) [PL-35N29WQ](#) [PLD-27A35PQ](#) [PS-552Q](#) [KBS-20DA-7AS](#) [KBS-27DA-5C-105](#) [LSC628ANR](#) [SC110FK](#) [PL-21N31PQ](#) [F-B-P1405ISB LF](#) [F/DGX 05P WITH LABEL LF](#) [F/HCW 06 WITH LABEL LF](#) [MSR516NP](#) [STA22702W](#) [STA20502](#) [SBM616J](#) [SBM616P](#) [SBM616PU](#) [SC250E](#) [SC250H](#) [SC628ADP](#) [SC628FK](#)