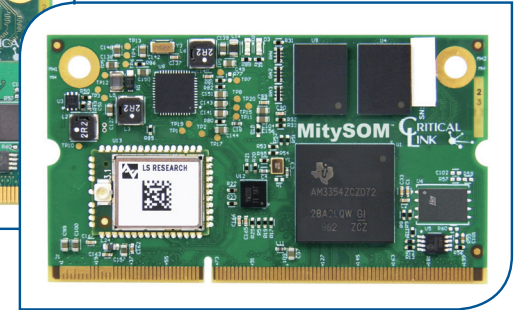
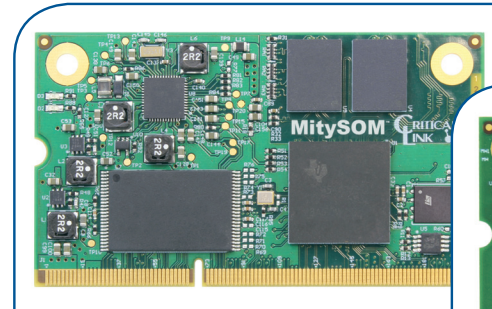


# MitySOM-335x™ System-on Modules

**Rapid product development optimizing schedule, cost, and development risk**

The MitySOM-335x is a family of highly-configurable, very small form-factor AM335x based modules, an embedded applications processing platform with support for a variety of communications interfaces and high-performance user interfaces. With multiple versions, the Cortex-A8 based MitySOM-335x family meets a broad range of processing, display, and communications requirements — including wireless — with a broad range of pricing options to meet every product design need.



The MitySOM-335x is optimized to speed your development of a robust, high quality product at a price point to fit within your cost targets. Critical Link provides superior product support and a life-cycle that ensures long-term availability.

Built for a wide range of applications

- Medical Systems
- Industrial Automation
- Industrial Instrumentation
- Scientific Instrumentation
- Custom Kiosks
- Weighing Scales
- Security Systems
- Building Automation
- Rich User Interfaces
- Measurement Devices
- Closed Loop Motor Control

**\*As low as \$49**

## Key Features

- ARM Cortex-A8 up to 1Ghz
- Integrated SGX530 3D graphics acceleration
- Fully integrated LSR TiWi-BLE module (optional)
  - Wi-Fi, Bluetooth, BLE
  - 802.11 b/g/n
  - RoHS compliant
  - FCC, IC, CE certified
- Onboard NOR, NAND, and DDR3
- Integrated power management
- Real-time embedded Linux, QNX and Windows Embedded Compact 7 support
- Industrial communications: EtherCAT, PROFIBUS, Profinet, Powerlink, Secos-III and Ethernet/IP
- Small form factor: 68mm x 38mm

- Standard SODIMM-204 Connector
- Industrial temperature -40°C to +85°C

## Peripheral Support:

- Dual gigabit Ethernet
- 24-bit WXGA LCD, touchscreen
- Integrated 12-bit 8-channel ADC
- USB (2), UART (6)
- CAN Bus (2)
- McASP (2), McSPI (2)
- eCAP (3), eQEP (3), eHRPWM (3)
- RTC, watchdog timer
- MMC/SD/SDIO (3)
- SPI (2), I2C (2), GPIO



# MitySOM-335x Development Kits

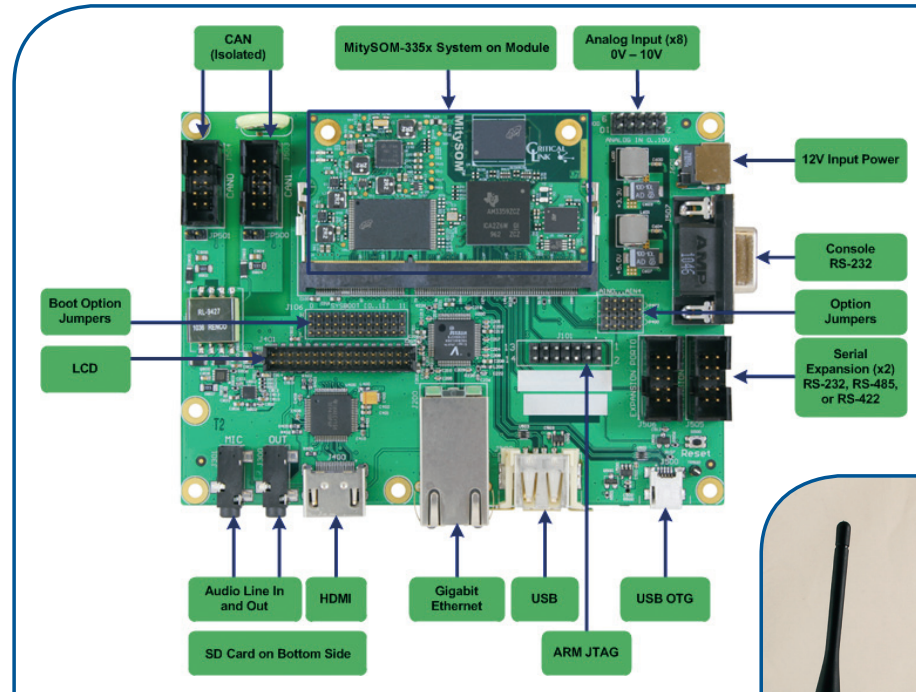


The MitySOM-335x Development Kit has all the necessary hardware and software to begin product development immediately, including a production-ready carrier board, Linux development environment, sample applications and a design guide for customizing the base board for your specific requirements.

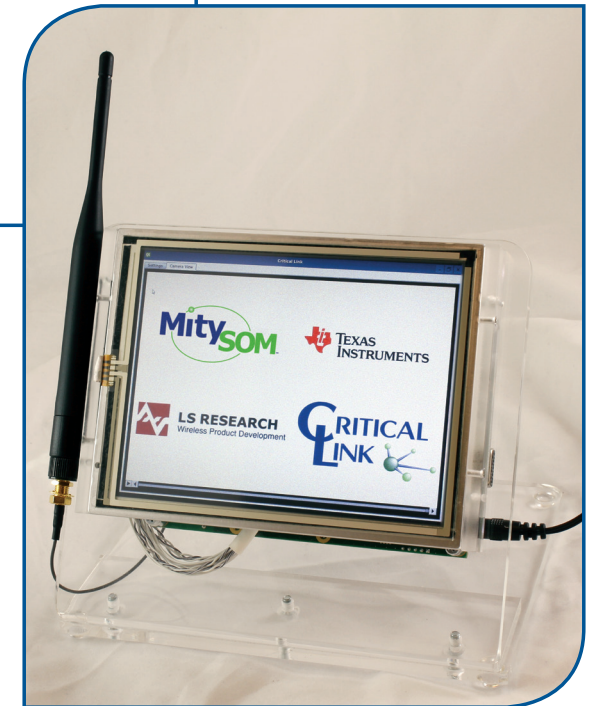
The MitySOM-335x Display and Wi-Fi Development Kit adds a 6.4" high resolution color touch screen display and Wi-Fi interface.

Developers can also work with Critical Link engineers to customize this board to meet specific application requirements.

Full technical datasheets are available for the MitySOM-335x and other members of the Critical Link SoM family, at [www.CriticalLink.com](http://www.CriticalLink.com).



**Development Kit**



**Development Kit with Display**



## X-ON Electronics

Largest Supplier of Electrical and Electronic Components

*Click to view similar products for [Development Boards & Kits - ARM category](#):*

*Click to view products by [Critical Link manufacturer](#):*

Other Similar products are found below :

[SAFETI-HSK-RM48](#) [PICOHOBBITFL](#) [CC-ACC-MMK-2443](#) [TWR-MC-FRDMKE02Z](#) [EVALSPEAR320CPU](#) [EVB-SCMIMX6SX](#)  
[MAX32600-KIT#](#) [TMDX570LS04HDK](#) [TXSD-SV70](#) [OM13080UL](#) [EVAL-ADUC7120QSPZ](#) [OM13082UL](#) [TXSD-SV71](#)  
[YGRPEACHNORMAL](#) [OM13076UL](#) [PICODWARFFL](#) [YR8A77450HA02BG](#) [3580](#) [32F3348DISCOVERY](#) [ATTINY1607](#) [CURIOSITY](#)  
[NANO](#) [PIC16F15376](#) [CURIOSITY NANO BOARD](#) [PIC18F47Q10](#) [CURIOSITY NANO](#) [VISIONSTK-6ULL V.2.0](#) [80-001428](#) [DEV-17717](#)  
[EAK00360](#) [YR0K77210B000BE](#) [RTK7EKA2L1S00001BE](#) [MAX32651-EVKIT#](#) [SLN-VIZN-IOT](#) [USB-202](#) [MULTIFUNCTION DAQ](#)  
[DEVICE](#) [USB-205](#) [MULTIFUNCTION DAQ DEVICE](#) [ALLTHINGSTALK](#) [LTE-M RAPID DEV. KIT](#) [LV18F V6](#) [DEVELOPMENT](#)  
[SYSTEM](#) [READY FOR AVR BOARD](#) [READY FOR PIC BOARD](#) [READY FOR PIC \(DIP28\)](#) [EVB-VF522R3](#) [AVRPLC16](#) [V6 PLC](#)  
[SYSTEM](#) [MIKROLAB FOR AVR XL](#) [MIKROLAB FOR PIC L](#) [MINI-AT BOARD - 5V](#) [MINI-M4 FOR STELLARIS](#) [MOD-09.Z](#) [BUGGY](#)  
[+ CLICKER 2 FOR PIC32MX + BLUETOOT](#) [1410](#) [LETS MAKE PROJECT PROGRAM. RELAY PIC](#) [LETS MAKE - VOICE](#)  
[CONTROLLED LIGHTS](#) [LPC-H2294](#) [DSPIC-READY2 BOARD](#)