

# DC Current Transducer

## DIN RAIL / PANEL MOUNT, RMS



Single Element - .79" Window  
0.1 to 600 ADC Input Range



Single Element - 1.2" Window  
20 to 600 ADC Input Range

The **CR5200** Series, DC Current Transducers are designed to provide a DC signal which is proportional to a DC sensed current. These devices are designed for direct current only, targeting them towards general and daily applications. The ranges 2 to 10 Amp utilize an advanced Magnetic Modulator technology and the ranges 20 amps and above utilize Hall Effect technology.

### Applications

Battery chargers and systems  
DC motor drives  
Power supply management  
Mobile applications

### Features

Closed loop sensing for accuracy  
35mm DIN rail or panel mount  
Available with  $\pm 5$  VDC,  $\pm 10$  VDC or 4 - 20 mADC outputs  
Non-contact DC current sensing  
Connection diagram printed on case

### Regulatory Agencies

Constructed to meet UL 61010B-1  
Constructed to meet CAN/CSA-C22.2, No. 61010-1-2004  
Meets requirement of IEC 61010-1 and BS EN 61010-1



Contact Factory for Custom  $\pm 5$  VDC,  $\pm 10$  VDC  
or 4 - 20 mADC Output Options

All single phase current transducers are available in split  
core design. Simply put an "S" at the end of the prefix\*  
I.E. CR5210S-30

PART NUMBERS			
CR5210(S)	-		Single Element with $\pm 5$ VDC output (split core design)
CR5211(S)	-		Single Element with $\pm 10$ VDC output (split core design)
CR5220(S)	-		Single Element with 4 - 20 mADC output (split core design)
NOTE: DC Split Core Transducers Available in 20 Amps and Higher			
NOTE: CR5200 Series is available with 12V Power Supply. Use same application as 24V Power Supply.			
Example Part Number: CR5210-300-12V			

Add suffix for input range

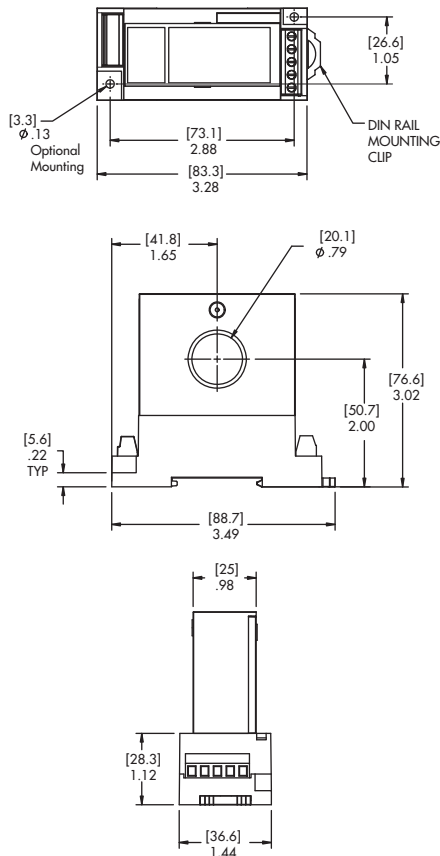
<b>2</b>	-	0-2 ADC
<b>5</b>	-	0-5 ADC
<b>10</b>	-	0-10 ADC
<b>20</b>	-	0-20 ADC
<b>30</b>	-	0-30 ADC
<b>50</b>	-	0-50 ADC
<b>75</b>	-	0-75 ADC
<b>100</b>	-	0-100 ADC
<b>150</b>	-	0-150 ADC
<b>300</b>	-	0-300 ADC

Ranges available up to and including 600 ADC

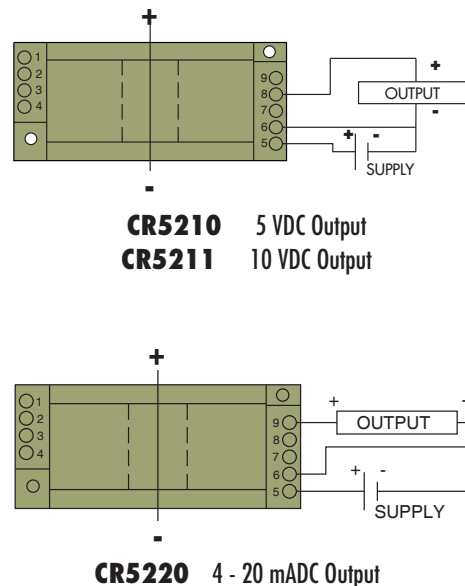
Transducers

### SPECIFICATIONS

Basic Accuracy:.....	1.0 %	MTBF:.....	Greater than 100 K hours
Linearity:.....	10% to 100% FS	Output Load:.....	4-20 mADC - 0 to 300 Ω
Thermal Drift:.....	500 PPM/°C		0-5 VDC - 2K Ω or Greater
Operating Temperature:.....	0°C to +50°C	Relative Humidity:.....	5% to 95%, Non-Condensing
Installation Category:.....	CAT II	Supply Current:	
Isolation Voltage:.....	3500KVRMS/1mA/1Sec	CR5210:.....	Typical 35mA    Max 40mA
Vibration Tested To:.....	IEC 60068-2-6,1995	CR5210S:.....	Typical 30mA    Max 35mA
Pollution Degree:.....	2	CR5220:.....	Typical 60mA    Max 100mA
Response Time: .....	250 ms	CR5220S:.....	Typical 40mA    Max 50mA
Altitude:.....	2000 meter max.	Torque Specs.:.....	3.0 inch lbs. (0.4Nm)
Insulation Voltage:.....	2500 VDC	Weight:.....	0.5 lbs.
Supply Voltage:.....	24 VDC ±10%		
Frequency Range:.....	DC Only		
Cleaning:.....	Water-dampened cloth		



**OUTLINE DRAWING**



**CONNECTION DIAGRAM**

NOTE: The building installation must have a switch or circuit-breaker that is in close proximity and within easy reach of the operator. The switch or circuit breaker shall be marked as the disconnecting device for the equipment.

## **X-ON Electronics**

Largest Supplier of Electrical and Electronic Components

*Click to view similar products for [cr magnetics](#) manufacturer:*

Other Similar products are found below :

[CR4110S-20](#) [CR5410S-150](#) [CR5410S-30](#) [CR6610-100](#) [CR4510-50](#) [CR4110-15](#) [CR4110-0.5](#) [CR4110-5](#) [CR5410S-20](#) [CR9521-20](#) [CR9580-50](#) [CR5310-50](#) [CR4110-10](#) [CR4220-10](#) [CR4510-150](#) [CR4550-500](#) [CR4220-5](#) [CR9321-NPN](#) [CRPS24VDC-120](#) [CR5220-2](#) [CR5410-50](#) [CR5220-10](#) [CR5410-300](#) [CR5410-20](#) [CR5210-5](#) [CR5210S-30](#) [CR5220-150](#) [CR5220-20](#) [CR4220-20](#) [CR5211-10](#) [CR9321-PNP](#) [CR5320-150](#) [CR9580-10](#) [CR9380-NPN](#) [CR9580-20](#) [CR3110-3000](#) [CR8320-1600](#)