

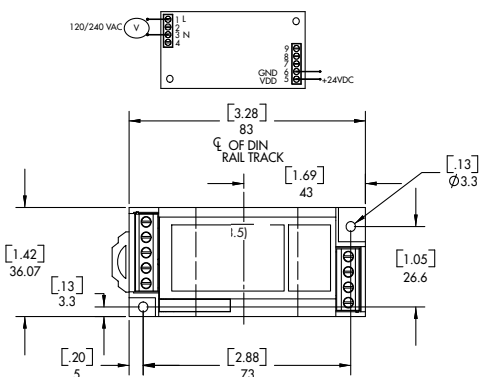


The **CRPS24VDC** Series Power supplies are designed to meter CR Magnetics digital and analog transducers. These switched mode power supplies are compact and efficient with a modern clean looking case.

Features

- 35mm DIN Rail or Panel Mount
- Available with 120Vac/Vdc and 240Vac/Vdc Input
- 24 VDC Powered
- Use with CR Magnetics Transducers
- Highest precision available
- Connection diagram printed on case

Regulatory Agencies



CONNECTION DIAGRAM

Specifications

Input Voltage	120V, 240V ±10% 50/60Hz
Rated Output	200mA
Output Voltage	+24VDC
Output Ripple	≤10 mV

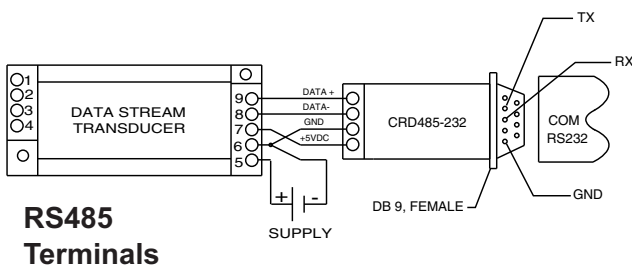
PART NUMBERS

CRPS24VDC	-		Power Supply
------------------	---	--	--------------

- 120** - 120V Power Supply
- 240** - 240V Power Supply with 24 VDC Output

CRD485-232

RS485 to RS232 Converter Accessory
Connect PC to RS485 Bus



**RS485
Terminals**



X-ON Electronics

Largest Supplier of Electrical and Electronic Components

Click to view similar products for [cr magnetics](#) manufacturer:

Other Similar products are found below :

[CR4110S-20](#) [CR5410-50](#) [CR5410S-150](#) [CR5410S-30](#) [CR6610-100](#) [CR4510-50](#) [CR4110-15](#) [CR4110-0.5](#) [CR4110-5](#) [CR5410S-20](#) [CR9521-20](#) [CR9580-50](#) [CR5310-50](#) [CR4110-10](#) [CR4220-10](#) [CR4550-500](#) [CR4510-150](#) [CR4220-5](#) [CRPS24VDC-120](#) [CR5220-2](#) [CR5220-20](#) [CR5220-10](#) [CR5410-300](#) [CR5410-20](#) [CR5210-5](#) [CR5210S-30](#) [CR5220-150](#) [CR9321-NPN](#) [CR4220-20](#) [CR5211-10](#) [CR9321-PNP](#) [CR5320-150](#) [CR9580-10](#) [CR9380-NPN](#) [CR9580-20](#) [CR3110-3000](#) [CR8320-1600](#)