

Cord & Cable Connectors

CG Series Color-coded Cord Grips

Applications:

CG Series Color-coded Grips with neoprene bushings are for use with portable cords, including S, SO, STO, ST, SJ, SJT, SJTO and SVO.

CG Cord Grips are installed to:

- Provide a means for passing a cord into an enclosure
- Form a watertight seal for cord
- Provide pull-out protection for cord, ensuring a secure connection

Features:

- Neoprene bushings are color-coded by cable diameter for quick and easy identification of proper cord grip
- Rugged construction protects cord from damage
- Compact design permits close spacing of fittings on panel applications
- Tightening one nut creates watertight seal
- Male tapered thread NPT
- Straight cord grips available in steel or aluminum; 45° and 90° cord grips available in malleable iron

Certifications and Compliances:

- UL Standard 514B
- UL File No. E-23223
- CSA Standard C22.2 No. 18
- Suitable for NEMA 4 enclosures and other wet locations
- Suitable for use in Class I, Division 2 hazardous locations when installed in accordance with NEC 501.10(B)(2)



Standard Materials:

- Body – straight – 1/2" through 1 1/2": steel; 1/2" through 1": aluminum
45° – 1/2" through 1": malleable iron
90° – 1/2" through 1": malleable iron
- Nut – steel or aluminum
- Bushing – neoprene

Standard Finishes:

- Body (steel or malleable Iron) – electrogalvanized
- Body (aluminum) – natural
- Nut (steel) – electrogalvanized
- Nut (aluminum) – natural

Cord & Cable Connectors

CG Series Color-coded Cord Grips

Straight Connectors

Cat. # Steel	Cat. # Aluminum	Size	Color	Cable Range Min.	Cable Range Max.	Unit Qty.	Wt. Lbs. Per 100*
CG50 250	CG50 250SA	1/2"	Red	0.15	0.25	25	10
CG50 350	CG50 350SA	1/2"	White	0.25	0.35	25	10
CG50 450	CG50 450SA	1/2"	Blue	0.35	0.45	25	10
CG50 560	CG50 560SA	1/2"	Green	0.45	0.56	25	10
CG50 650	CG50 650SA	1/2"	Brown	0.55	0.65	25	10
CG75 250	CG75 250SA	3/4"	Red	0.15	0.25	10	14
CG75 350	CG75 350SA	3/4"	White	0.25	0.35	10	14
CG75 450	CG75 450SA	3/4"	Blue	0.35	0.45	10	14
CG75 560	CG75 560SA	3/4"	Green	0.45	0.56	10	14
CG75 650	CG75 650SA	3/4"	Brown	0.55	0.65	10	14
CG75 750	CG75 750SA	3/4"	Yellow	0.65	0.75	10	14
CG75 850	CG75 850SA	3/4"	Purple	0.75	0.85	10	14
CG100 560	CG100 560SA	1"	Green	0.45	0.56	5	20
CG100 650	CG100 650SA	1"	Brown	0.55	0.65	5	20
CG100 750	CG100 750SA	1"	Yellow	0.65	0.75	5	20
CG100 850	CG100 850SA	1"	Purple	0.75	0.85	5	20
CG100 950	CG100 950SA	1"	Gray	0.85	0.95	5	20
CG100 1050	CG100 1050SA	1"	Black	0.95	1.05	5	20
CG125 850		1 1/4"	Purple	0.75	0.85	5	40
CG125 950		1 1/4"	Gray	0.85	0.95	5	40
CG125 1050		1 1/4"	Black	0.95	1.05	5	40
CG125 1150		1 1/4"	Orange	1.05	1.15	5	40
CG125 1250		1 1/4"	Red	1.15	1.25	5	40
CG125 1375		1 1/4"	White	1.25	1.375	5	40
CG150 1050		1 1/2"	Black	0.95	1.05	2	70
CG150 1150		1 1/2"	Orange	1.05	1.15	2	70
CG150 1250		1 1/2"	Red	1.15	1.25	2	70
CG150 1375		1 1/2"	White	1.25	1.375	2	70

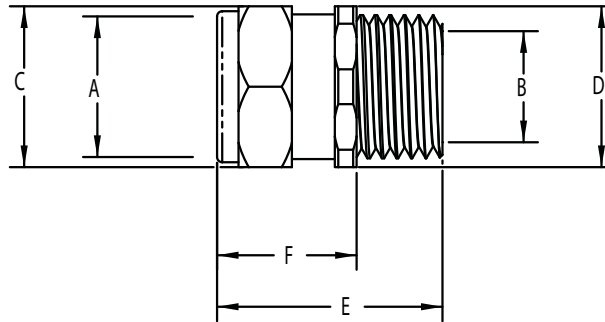
*Wt. lbs. per 100 is for steel connectors only.



Cord & Cable Connectors

CG Series Color-coded Cord Grips

Straight Connector Dimensions (in Inches):



Cat. # Steel	Cat. # Aluminum	Size	Cable Ranges		Max. Cable	Cross Corner	Hex Body	Overall Length	Exposed Length
			Min.	Max.					
CG50 250	CG50 250SA	1/2"	0.150	0.250	0.640	1.070	0.975	1 5/16	13/16
CG50 350	CG50 350SA	1/2"	0.250	0.350	0.640	1.070	0.975	1 5/16	13/16
CG50 450	CG50 450SA	1/2"	0.350	0.450	0.640	1.070	0.975	1 5/16	13/16
CG50 560	CG50 560SA	1/2"	0.450	0.560	0.640	1.070	0.975	1 5/16	13/16
CG50 650	CG50 650SA	1/2"	0.560	0.650	0.640	1.070	0.975	1 5/16	13/16
CG75 250	CG75 250SA	3/4"	0.150	0.250	0.687	1.070	1.220	1 5/16	13/16
CG75 350	CG75 350SA	3/4"	0.250	0.350	0.687	1.070	1.220	1 5/16	13/16
CG75 450	CG75 450SA	3/4"	0.350	0.450	0.687	1.070	1.220	1 5/16	13/16
CG75 560	CG75 560SA	3/4"	0.450	0.560	0.687	1.070	1.220	1 5/16	13/16
CG75 650	CG75 650SA	3/4"	0.560	0.650	0.687	1.070	1.220	1 5/16	13/16
CG75 750	CG75 750SA	3/4"	0.650	0.750	0.845	1.330	1.220	1 9/16	1 1/32
CG75 850	CG75 850SA	3/4"	0.750	0.850	0.845	1.330	1.220	1 9/16	1 1/32
CG100 560	CG100 560SA	1"	0.450	0.560	0.937	1.330	1.500	1 3/4	1 1/8
CG100 650	CG100 650SA	1"	0.560	0.650	0.937	1.330	1.500	1 3/4	1 1/8
CG100 750	CG100 750SA	1"	0.650	0.750	0.937	1.330	1.500	1 3/4	1 1/8
CG100 850	CG100 850SA	1"	0.750	0.850	0.937	1.330	1.500	1 3/4	1 1/8
CG100 950	CG100 950SA	1"	0.850	0.950	1.050	1.625	1.500	1 7/8	1 3/16
CG100 1050	CG100 1050SA	1"	0.950	1.050	1.050	1.625	1.500	1 7/8	1 3/16
CG125 850	-	1 1/4"	0.750	0.850	1.187	1.625	1.900	1 15/16	1 1/4
CG125 950	-	1 1/4"	0.850	0.950	1.187	1.625	1.900	1 15/16	1 1/4
CG125 1050	-	1 1/4"	0.950	1.050	1.375	2.032	1.900	1 15/16	1 1/4
CG125 1150	-	1 1/4"	1.050	1.150	1.375	2.032	1.900	1 15/16	1 1/4
CG125 1250	-	1 1/4"	1.150	1.250	1.375	2.032	1.900	1 15/16	1 1/4
CG125 1375	-	1 1/4"	1.250	1.375	1.375	2.032	1.900	1 15/16	1 1/4
CG150 1050	-	1 1/2"	0.950	1.050	1.375	2.032	2.280	2	1 5/16
CG150 1150	-	1 1/2"	1.050	1.150	1.375	2.032	2.280	2	1 5/16
CG150 1250	-	1 1/2"	1.150	1.250	1.375	2.032	2.280	2	1 5/16
CG150 1375	-	1 1/2"	1.250	1.375	1.375	2.032	2.280	2	1 5/16

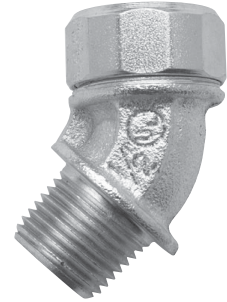
Cord & Cable

Cord & Cable Connectors

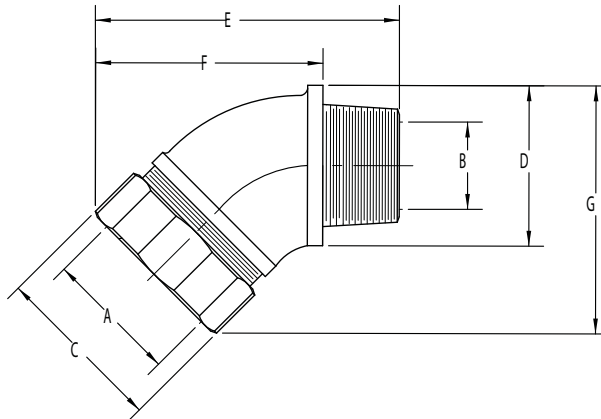
CG Series Color-coded Cord Grips

45° Connectors

Cat. # Steel	Size	Color	Cable Range Min.	Cable Range Max.	Unit Qty.	Wt. Lbs. Per 100
CG5045 250	1/2"	Red	0.15	0.25	10	24
CG5045 350	1/2"	White	0.25	0.35	10	24
CG5045 450	1/2"	Blue	0.35	0.45	10	24
CG5045 560	1/2"	Green	0.45	0.56	10	24
CG5045 650	1/2"	Brown	0.55	0.65	10	24
CG7545 250	3/4"	Red	0.15	0.25	10	36
CG7545 350	3/4"	White	0.25	0.35	10	36
CG7545 450	3/4"	Blue	0.35	0.45	10	36
CG7545 560	3/4"	Green	0.45	0.56	10	36
CG7545 650	3/4"	Brown	0.55	0.65	10	36
CG7545 750	3/4"	Yellow	0.65	0.75	10	36
CG7545 850	3/4"	Purple	0.75	0.85	10	36
CG10045 560	1"	Green	0.45	0.56	5	68
CG10045 650	1"	Brown	0.55	0.65	5	68
CG10045 750	1"	Yellow	0.65	0.75	5	68
CG10045 850	1"	Purple	0.75	0.85	5	68
CG10045 950	1"	Gray	0.85	0.95	5	68
CG10045 1050	1"	Black	0.95	1.05	5	68



45° Connector Dimensions (in Inches):



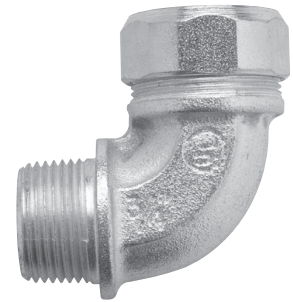
Cat. # Steel	Size	Cable Ranges		Max. Cable	Cross Corner	Hex Body	Overall Length	Exposed Length	Width
		Min.	Max.						
CG5045 250	1/2"	0.150	0.250	19/32	1 3/16	1 3/16	2 9/32	1 25/32	1 7/8
CG5045 350	1/2"	0.250	0.350	19/32	1 3/16	1 3/16	2 9/32	1 25/32	1 7/8
CG5045 450	1/2"	0.350	0.450	19/32	1 3/16	1 3/16	2 9/32	1 25/32	1 7/8
CG5045 560	1/2"	0.450	0.560	19/32	1 3/16	1 3/16	2 9/32	1 25/32	1 7/8
CG5045 650	1/2"	0.560	0.650	19/32	1 3/16	1 3/16	2 9/32	1 25/32	1 7/8
CG7545 250	3/4"	0.150	0.250	13/16	1 7/16	1 11/32	2 17/32	1 29/32	2
CG7545 350	3/4"	0.250	0.350	13/16	1 7/16	1 11/32	2 17/32	1 29/32	2
CG7545 450	3/4"	0.350	0.450	13/16	1 7/16	1 11/32	2 17/32	1 29/32	2
CG7545 560	3/4"	0.450	0.560	13/16	1 7/16	1 11/32	2 17/32	1 29/32	2
CG7545 650	3/4"	0.560	0.650	13/16	1 7/16	1 11/32	2 17/32	1 29/32	2
CG7545 750	3/4"	0.650	0.750	13/16	1 7/16	1 11/32	2 17/32	1 29/32	2
CG7545 850	3/4"	0.750	0.850	13/16	1 7/16	1 11/32	2 17/32	1 29/32	2
CG10045 560	1"	0.450	0.560	31/32	1 3/4	1 11/16	2 29/32	2 11/32	2 15/32
CG10045 650	1"	0.560	0.650	31/32	1 3/4	1 11/16	2 29/32	2 11/32	2 15/32
CG10045 750	1"	0.650	0.750	31/32	1 3/4	1 11/16	2 29/32	2 11/32	2 15/32
CG10045 850	1"	0.750	0.850	31/32	1 3/4	1 11/16	2 29/32	2 11/32	2 15/32
CG10045 950	1"	0.850	0.950	31/32	1 3/4	1 11/16	2 29/32	2 11/32	2 15/32
CG10045 1050	1"	0.950	1.050	31/32	1 3/4	1 11/16	2 29/32	2 11/32	2 15/32

Cord & Cable Connectors

CG Series Color-coded Cord Grips

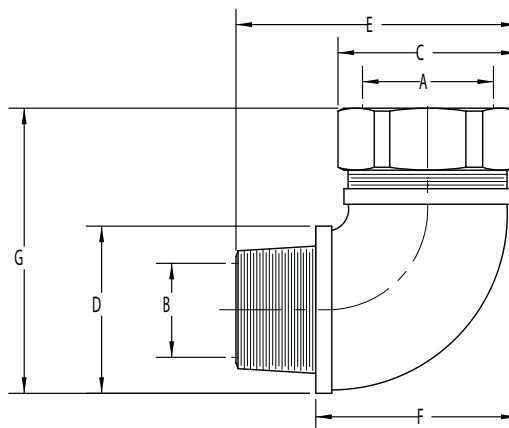
90° Connectors

Cat. # Steel	Size	Color	Cable Range		Unit Qty.	Wt. Lbs. Per 100
			Min.	Max.		
CG5090 250	1/2"	Red	0.15	0.25	10	26
CG5090 350	1/2"	White	0.25	0.35	10	26
CG5090 450	1/2"	Blue	0.35	0.45	10	26
CG5090 560	1/2"	Green	0.45	0.56	10	26
CG5090 650	1/2"	Brown	0.55	0.65	10	26
CG7590 250	3/4"	Red	0.15	0.25	10	48
CG7590 350	3/4"	White	0.25	0.35	10	48
CG7590 450	3/4"	Blue	0.35	0.45	10	48
CG7590 560	3/4"	Green	0.45	0.56	10	48
CG7590 650	3/4"	Brown	0.55	0.65	10	48
CG7590 750	3/4"	Yellow	0.65	0.75	10	48
CG7590 850	3/4"	Purple	0.75	0.85	10	48
CG10090 560	1"	Green	0.45	0.56	5	68
CG10090 650	1"	Brown	0.55	0.65	5	68
CG10090 750	1"	Yellow	0.65	0.75	5	68
CG10090 850	1"	Purple	0.75	0.85	5	68
CG10090 950	1"	Gray	0.85	0.95	5	68
CG10090 1050	1"	Black	0.95	1.05	5	68



Cord & Cable

90° Connector Dimensions (in Inches):



Cat. # Steel	Size	Cable Ranges		Max. Cable	Cross Corner	Hex Body	Overall Length	Exposed Length	Width
		Min.	Max.						
		A	B						
CG5090 250	1/2"	0.150	0.250	19/32	1 3/16	1 3/16	1 13/16	1 3/16	2 1/4
CG5090 350	1/2"	0.250	0.350	19/32	1 3/16	1 3/16	1 13/16	1 3/16	2 1/4
CG5090 450	1/2"	0.350	0.450	19/32	1 3/16	1 3/16	1 13/16	1 3/16	2 1/4
CG5090 560	1/2"	0.450	0.560	19/32	1 3/16	1 3/16	1 13/16	1 3/16	2 1/4
CG5090 650	1/2"	0.560	0.650	19/32	1 3/16	1 3/16	1 13/16	1 3/16	2 1/4
CG7590 250	3/4"	0.150	0.250	13/16	1 7/16	1 11/32	2 5/16	1 21/32	2 17/32
CG7590 350	3/4"	0.250	0.350	13/16	1 7/16	1 11/32	2 5/16	1 21/32	2 17/32
CG7590 450	3/4"	0.350	0.450	13/16	1 7/16	1 11/32	2 5/16	1 21/32	2 17/32
CG7590 560	3/4"	0.450	0.560	13/16	1 7/16	1 11/32	2 5/16	1 21/32	2 17/32
CG7590 650	3/4"	0.560	0.650	13/16	1 7/16	1 11/32	2 5/16	1 21/32	2 17/32
CG7590 750	3/4"	0.650	0.750	13/16	1 7/16	1 11/32	2 5/16	1 21/32	2 17/32
CG7590 850	3/4"	0.750	0.850	13/16	1 7/16	1 11/32	2 5/16	1 21/32	2 17/32
CG10090 560	1"	0.450	0.560	31/32	1 3/4	1 11/16	2 3/4	2 1/32	2 29/32
CG10090 650	1"	0.560	0.650	31/32	1 3/4	1 11/16	2 3/4	2 1/32	2 29/32
CG10090 750	1"	0.650	0.750	31/32	1 3/4	1 11/16	2 3/4	2 1/32	2 29/32
CG10090 850	1"	0.750	0.850	31/32	1 3/4	1 11/16	2 3/4	2 1/32	2 29/32
CG10090 950	1"	0.850	0.950	31/32	1 3/4	1 11/16	2 3/4	2 1/32	3
CG10090 1050	1"	0.950	1.050	31/32	1 3/4	1 11/16	2 3/4	2 1/32	3

X-ON Electronics

Largest Supplier of Electrical and Electronic Components

Click to view similar products for [Wire Identification](#) category:

Click to view products by [Crouse-Hinds](#) manufacturer:

Other Similar products are found below :

[CU6337-000](#) [CU6342-000](#) [FCA-410-12](#) [11631010](#) [1-1768037-1](#) [1-1768037-2](#) [1-1768050-0](#) [PXLK-VI](#) [Q62184-1](#) [A64304-000](#) [QMT221](#)
[HK032WE1NF038B](#) [1330-0519-10](#) [1395199-1](#) [1395200-1](#) [1395202-1](#) [DMVF050WE-300S6](#) [D-SCE-1K-2.4-50-4-CS7834](#) [1538738-1](#)
[E90935-000](#) [EC1238-000](#) [EC1465-000](#) [EC1855-000](#) [EC1859-000](#) [EC1863-000](#) [EC5415-000](#) [EC7277-000](#) [EC7352-000](#) [EC7603-000](#)
[EC7707-000](#) [EC7735-000](#) [EC7768-000](#) [EC7828-000](#) [EC7854-000](#) [EC7952-000](#) [EC8128-000](#) [1768037-8](#) [1768041-7](#) [NC-127191-10-9](#)
[HS048WE2NF038B](#) [C03232-000](#) [HTCM-SCE-14-4H-9](#) [HTMS-3/16-9](#) [HT-SCE-1/4-2.0-4](#) [HT-SCE-3/16-2.0-4](#) [HTTMS-1/2-1.50-9](#) [HTTMS-](#)
[CM-1/2-4H-9](#) [HX-SCE-19.0-50-9](#) [HX-SCE-6.4-50-4](#) [C25254-000](#)