

Linear actuators -synchronous

→ 10 mm displacement - 230 Volts

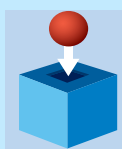
- A range of digital linear actuators based upon synchronous motor technology. They offer a linear travel of 10 mm as standard and up to 35 mm upon request for versions with an anti-rotation device built-in. Linear step speed 0.833 or 1.67 mm per second.
- Output force between 27 and 45 N.



Specifications

	Low speed - series connection	Low speed - parallel connection	High speed - series connection	High speed - parallel connection
Type	80 510 0	80 510 0	80 510 5	80 510 5
Voltages/Frequencies	230 V - 50 Hz	230 V - 50 Hz	230 V - 50 Hz	230 V - 50 Hz
Standard motor speed (rpm)	250	250	500	500
Part numbers	●	●	●	●
General characteristics				
Connection	Series	Series	Series	Series
Rated displacement (mm)	10	10	10	10
Vitesse de déplacement (f= 50 Hz) (mm/s)	3.33	3.33	6.67	6.67
Axial load static (daN)	10	10	10	10
Radial load	Consult us	Consult us	Consult us	Consult us
Ambient operating temperature (°C)	-5 / +75	-5 / +75	-5 / +75	-5 / +75
Wires length (mm)	250 ± 10	250 ± 10	250 ± 10	250 ± 10
Electromechanical specifications				
Dynamic axial load to 100 Hz (N)	35	45	27	38
Absorbed power (W)	2.7	4.3	2.7	4.3
Absorbed current nominal	10.9 mA	16 mA	10.9 mA	16 mA
Temperature rise at T = 25°C	57°C ± 10 %	80°C ± 10 %	57°C ± 10 %	80°C ± 10 %
Life	500 000 cycles	500 000 cycles	500 000 cycles	500 000 cycles
Mounting position	Any position	Any position	Any position	Any position
Storage temperature (°C)	-40 → +80	-40 → +80	-40 → +80	-40 → +80
Weight (g)	90	90	90	90

Product adaptations



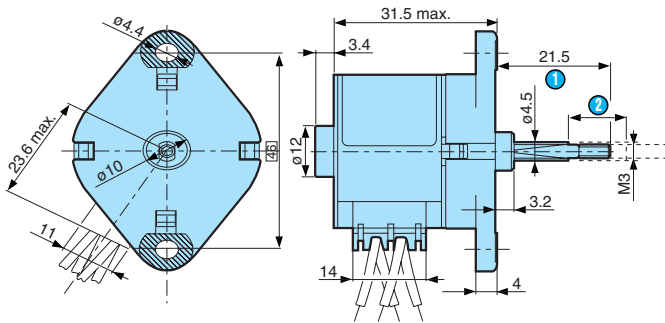
- Special output shafts
- Special supply voltages
- Special cable lengths
- Customised electronics
- Special construction materials
- Special connectors

Accessories

Voltages/Frequencies	μF	V	Connection	Code
Capacitors motor 80 510 0				
230 V - 50 Hz	$0.33 \pm 10 \%$	400	Serie	26 231 801
230 V - 50 Hz	$0.1 \pm 10 \%$	700	Parallel	26 231 941
115 V - 50/60 Hz	$0.27 \pm 10 \%$	250	Parallel	26 231 851
24 V - 50 Hz	$8.2 \pm 10 \%$	70	Parallel	26 231 711
24 V - 60 Hz	$6.8 \pm 10 \%$	63	Parallel	26 231 708
Capacitors motor 80 510 0				
230 V - 50 Hz	$0.33 \pm 10 \%$	400	Serie	26 231 801
230 V - 50 Hz	$0.1 \pm 10 \%$	700	Parallel	26 231 941
115 V - 50/60 Hz	$0.27 \pm 10 \%$	250	Parallel	26 231 924
24 V - 50 Hz	$8.2 \pm 10 \%$	70	Parallel	26 231 711

Dimensions

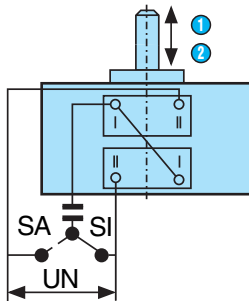
80 510 0 - 80 510 5



- ① Shaft in
- ② Travel

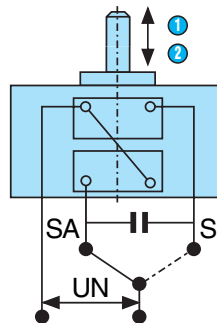
Connections

In series



- ① SA : Shaft out
- ② Si : Shaft in

In parallel



- ① SA : Shaft out
- ② SI : Shaft in

Other information

Electromagnetic compatibility :
 Conducted emissions : EN 55 014
 Radiated emissions : EN 55 022
 Protection index IP40 EN 60 034 / CEI 529
 Temperature limit when stalled Classe B EN 60 335-1 CEI 85

X-ON Electronics

Largest Supplier of Electrical and Electronic Components

Click to view similar products for [Motor Start Capacitors & Motor Run Capacitors](#) category:

Click to view products by [Crouzet](#) manufacturer:

Other Similar products are found below :

[950CQW5H-F](#) [SFS37S30-5K400E-F](#) [SFT44S45-5K491E-F](#) [26231720](#) [26231711](#) [26231703](#) [870CG35800AA2J](#) [878AF24600AA1J](#)
[SFA66T2K219A-F](#) [100MS26ACMA1STD](#) [080MS22ABMA1STD](#) [080MS26ACMA1STD](#) [050MS22AAMA1STD](#) [100MS22ACMA1STD](#)
[070MS22ABMA1STD](#) [180MS22ACMA1STD](#) [040MS26ABMA1STD](#) [100MS26ACMK1STD](#) [120MS26ACMK1STD](#) [200MS26ACMK1STD](#)
[150MS22ACMA1STD](#) [060MS22AAMA1STD](#) [MKSP-6P 4UF 450V B](#) [MKSP-6P 5UF 450V B](#) [MKSP-6P 8UF 450V B](#) [I150V468K-G1](#)
[I150V530K-C1](#) [I150V620K-G1](#) [I150V640K-G1](#) [I15KV580K-D](#) [I15KV610K-B](#) [I15KV612K-D](#) [I15KV640K-B](#) [C274AC34200AA0J](#)
[C274ACF4600WA0J](#) [C274ACF5150WA0J](#) [C878AF24200AA4J](#) [C878AF24600AA1J](#) [C878AF35300AA0J](#) [C878BF34400SA0J](#)
[C878BF34800SA0J](#) [C878BF35300SA0J](#) [CBB60A-12/450](#) [CBB60A-16/450](#) [CBB60A-20/450](#) [CBB60A-6/450](#) [CBB60E-40/450](#) [CBB60E-](#)
[50/450](#) [CBB60E-6/450](#) [CBB60E-80/450](#)