

Temperature probes Thermocouple / Pt100 Part number 79696035



- Thermocouple J :
 - Nickel-plated brass eyelet
 - Stainless steel casing
 - Stainless steel sheath
- Thermocouple K
 - Stainless steel sheath
 - Aluminium vee
- Pt 100 Class B :
 - Stainless steel sheath
 - Aluminium vee
- Connection / Sub-base / Flange
- Pt100 for use with XA03 and XA04 extension
- Thermocouple for use with temperature converter

Part numbers

Type	Description	Temperature	Characteristics
79696035	Thermocouple / Pt100 Pt100 probe Class B max : 200 °C	Pt100 probe Class B with sheath - St. steel 316 L Ø 6 mm : 200 mm long	Silicon teflon cable : 2 m long - 3-wire assembly

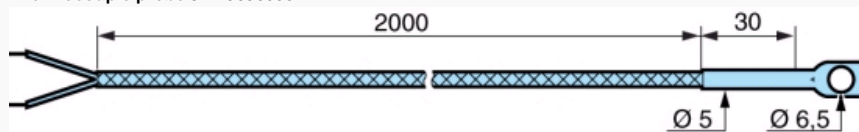
Specifications

Accessories

Accessories	Characteristics	Code
Connection	Sliding connection 1/4 " BSP CYL. St. steel 316 L Ø 3 mm	79696038
Sliding connection 1/4 " BSP CYL. St. steel 316 L Ø 6 mm	79696039	
Sliding connection 1/2 " BSP CYL. St. steel 316 L Ø 6 mm	79696040	
Sub-base	Sliding connection 1/4 " BSP CYL Ø 12 mm Nickel-plated steel	79696041
Flange	Inox flange Ø 6 mm	79696042

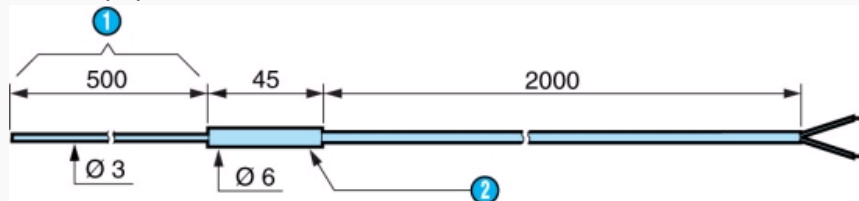
Dimensions (mm)

Thermocouple probe J : 79696030



Dimensions (mm)

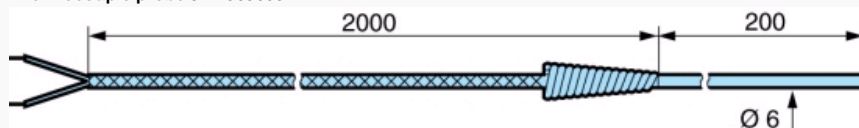
Thermocouple probe J : 79696031



N°	Legend
①	Flexible
②	Stainless steel sleeve

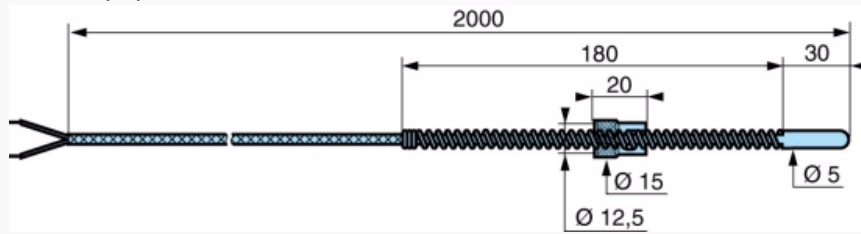
Dimensions (mm)

Thermocouple probe J : 79696032

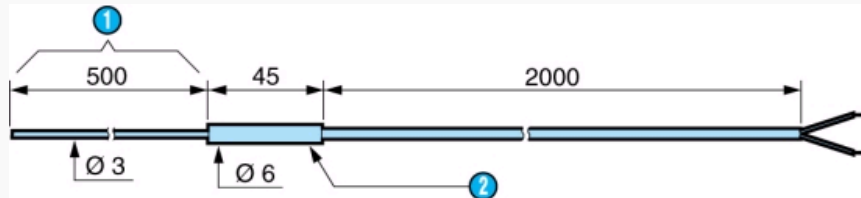


Dimensions (mm)

Thermocouple probe J : 79696033

**Dimensions (mm)**

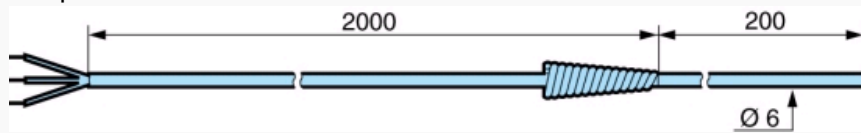
Thermocouple probe K : 79696034



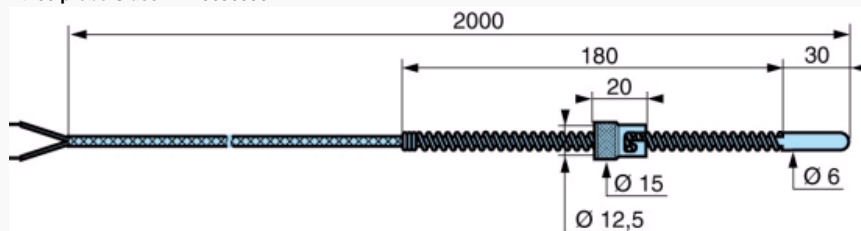
N°	Legend
1	Flexible
2	Stainless steel sleeve

Dimensions (mm)

Pt100 probe Class B : 79696035

**Dimensions (mm)**

Pt100 probe Class B : 79696036

**Dimensions (mm)**

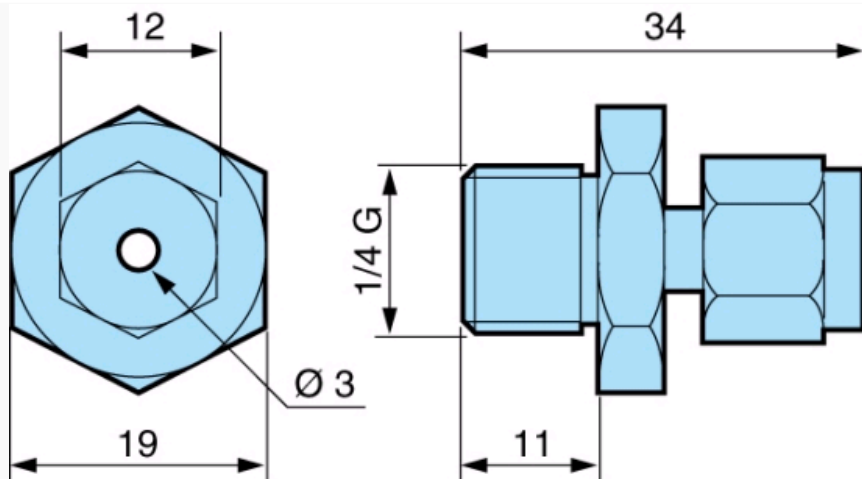
Pt100 probe Class B : 79696037



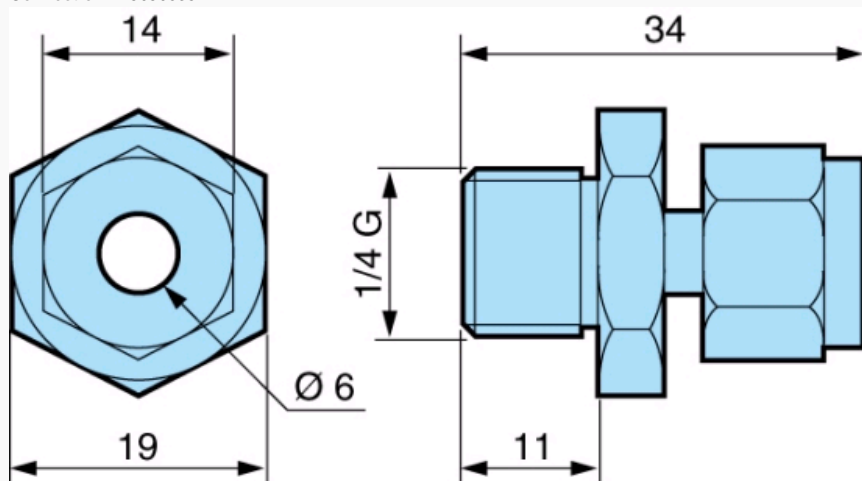
Aluminium vee (This part is removable)

Dimensions (mm)

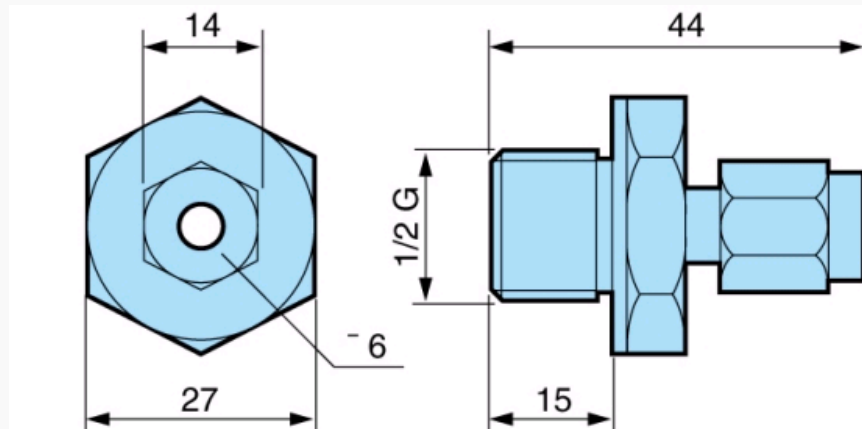
Connection : 79696038


Dimensions (mm)

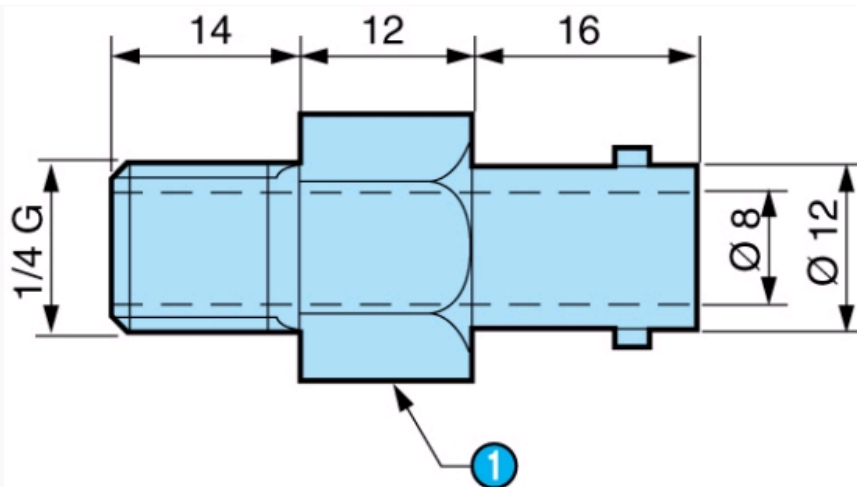
Connection : 79696039


Dimensions (mm)

Connection : 79696040


Dimensions (mm)

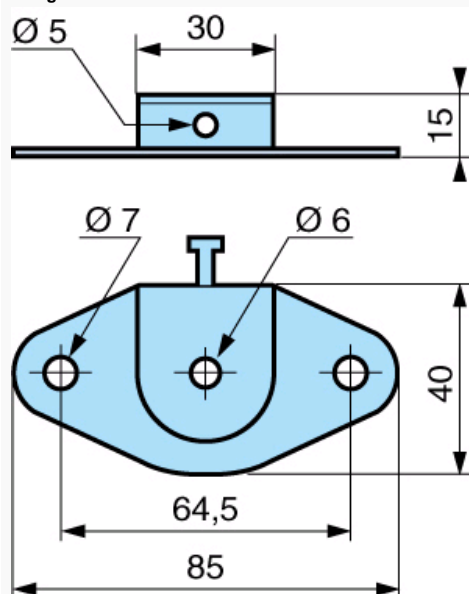
Sub-base : 79696041



N°	Legend
1	17 across flat

Dimensions (mm)

Flange : 79696042



X-ON Electronics

Largest Supplier of Electrical and Electronic Components

Click to view similar products for [Industrial Temperature Sensors](#) category:

Click to view products by [Crouzet](#) manufacturer:

Other Similar products are found below :

[590-32AC34-103-WRI](#) [590-59CN02-103](#) [A1004SG22P0](#) [HEL-736-U-2-36](#) [G9864ST22F0](#) [HEL-717-U-0-24-00](#) [R-8203](#) [519-39AW09-245](#)
[519-39CH01-295](#) [521-43BC01-202](#) [535-34AE08-303](#) [512-32AQ01-503](#) [521-33AG04-303](#) [521-53BR01-503](#) [E52P6DY4M](#) [535-34AE09-222](#)
[590-32AC34-103](#) [590-32AD05-103](#) [E52-P6DY 2M](#) [A1004SX22P0](#) [E52-P20C-N D=8](#) [E52-THE5A 100-200 2M](#) [T200-C32-M14-C](#) [HRTS-](#)
[5760-B-T-0-18](#) [IOT-9CLT](#) [IOT-9CLT-2](#) [IOT-9CLT-8](#) [LTPCTGA20MBSIBX01](#) [LTPCTFA30MBSITX01](#) [LTPCTFA20MBSIDX01](#)
[LTPCTAA20MDSIEX01](#) [BB-HS-104T2505402](#) [NCP81255MNTXG](#) [HEL-707-T-1-24-00](#) [HEL-716-U-0-24-00](#) [A-2142](#) [USW2247](#) [R-11614-](#)
[1](#) [RP103ST22P2](#) [R-10331-3F6](#) [E52-P20AY-D32 4M](#) [89750186](#) [79696038](#) [79696039](#) [A1004AS20T1](#) [JS7352](#) [JI-F103WN-L301](#) [JI-](#)
[F103WN-L252](#) [JI-103C1R2-L102](#) [JI-F103WN-L102](#)