

57 mm square and Ø 57 mm - 463 mNm continuous with Hall effect sensors 120 W nominal at 24 V and 4000 rpm Part number 80180506



- High power motors (up to 160 W continuous at 24 VDC)
- Suitable for voltages between 6 and 75 VDC
- Ideal for applications where the control electronics have to be remote due to the high ambient temperature

Part numbers

Type	Type	References
80180506 120 W nominal at 24 V and 4000 rpm	801805	Without option

Specifications

General characteristics

Max. speed (rpm)	10000
Torque peak in (mNm)	763*
Maximum continuous torque (mNm)	307**
Motor constant (mNm/W ^{1/2})	70
Electrical time constant (ms)	2,1
Mechanical time constant (ms)	2,1
Energy losses at peak torque (W)	117
Torque/speed factor - zero impedance (mNm/ (rad/s))	4,96
Friction torque (mNm)	25
Rotor inertia (gcm ²)	105
Thermal resistance (°C/W)	3,8
Max. coil temperature (°C)	120
Integrated temperature sensor	Yes
Number of phases	3 (delta config)
Number of poles	4
Ambient operating temperature (°C)	-40 →70
Dielectric strength at 500 V DC (MΩ)	1000
Service life (h)	20000
Output ball bearing	Yes
Weight (g)	1300
Length (mm)	94
Protection index	IP54

Comments

Standard winding

Phase-to-phase resistance (Ω)	0,36 ±12,5 %
Voltage at peak torque (V)	6,5
Current at peak torque (A)	18
Torque constant (mNm/A)	42,4 ±10 %
Back EMF constant (V/ (rad/s))	0,0424
Back EMF constant (V/Krpm)	4,4 ±10 %
Inductance (mH)	0,76 ±30 %

Comments

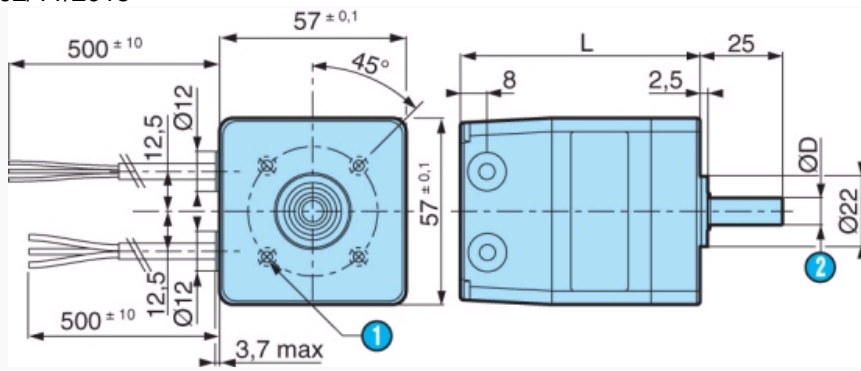
Motor mounted on aluminium plate 254 x 254 x 10 mm thick to encourage heat flow

* 10 sec. at 25 °C ambient temperature

** 25 °C ambient temperature and 120 °C winding temperature

Dimensions (mm)

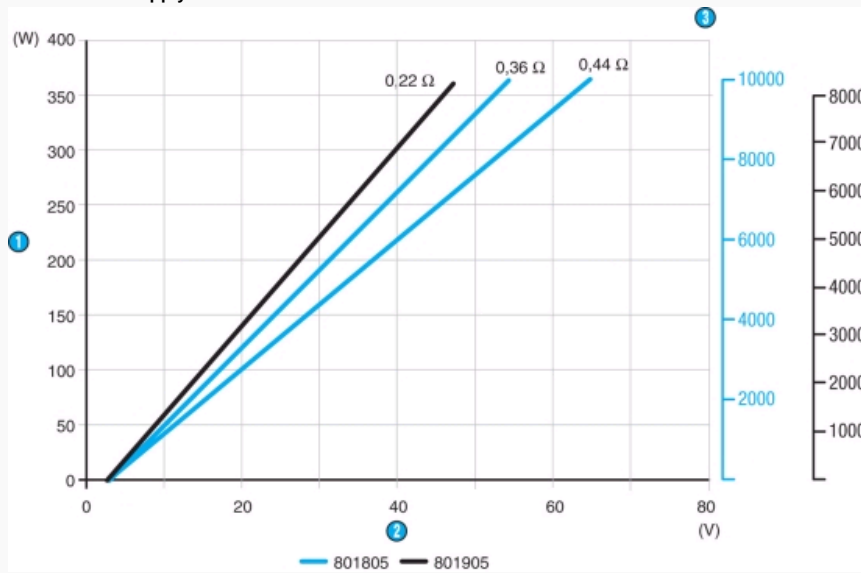
801805



N°	Legend
1	4 holes M5 over Ø 40 mm - depth of thread : 4.5 mm - depth of hole 6.6 mm
2	D : Ø8 - 0.010 mm - 0.020 mm
	L : 94.2 mm max.

Curves

Power/Power supply




N°	Legend
1	Nominal power
2	Supply voltage
3	Speeds (rpm)

Connections

Forward

Hall			①		
1	2	3	1	2	3
1	0	0	0V	+V \equiv	-
1	1	0	0V	-	+V \equiv
0	1	0	-	0V	+V \equiv
0	1	1	+V \equiv	0V	-
0	0	1	+V \equiv	-	0V
1	0	1	-	+V \equiv	0V




N°	Legend
①	Winding

Connections

Reverse

Hall			①		
1	2	3	1	2	3
1	0	0	+V \equiv	0V	-
1	0	1	-	0V	+V \equiv
0	0	1	0V	-	+V \equiv
0	1	1	0V	+V \equiv	-
0	1	0	-	+V \equiv	0V
1	1	0	+V \equiv	-	0V



N°	Legend
①	Winding

Connections

Part number 801805

Wire colour	Connection name	Wire gauge (AWG)
Black	Winding 1	20
Brown	Winding 2	20
Red	Winding 3	20
Red	+ Hall power supply	24
Black	- Hall power supply (return)	24
Yellow	Sonde temp.	24
Orange	Hall 1	24
Brown	Hall 2	24
Green	Hall 3	24

Hall effect : Voltage range : 4.5 24 VDC Max. current : 20 mA Type of output : NPN open collector Not protected against connection errors

Other information

For other standard windings visit www.crouzet.com

Precautions for use

Not protected against connection errors

Product adaptations



- Special shafts
- Lead length
- C12 connector built in
- 200, 500, 1000 points/revolution encoder

X-ON Electronics

Largest Supplier of Electrical and Electronic Components

Click to view similar products for [AC, DC & Servo Motors](#) category:

Click to view products by [Crouzet](#) manufacturer:

Other Similar products are found below :

[79207644](#) [805470B40040MY](#) [80807028](#) [808070Y01125Z](#) [808550Y00049Z](#) [823055C10001MWY](#) [82520405](#) [82664024](#) [82802504](#)
[R88MK10030H](#) [M4E068-EC03-01](#) [M4E068-CF01-01](#) [79265119](#) [80510503](#) [805470A40040MY](#) [805470B40020MY](#) [80627003](#)
[808070Y00250Y](#) [808070Y83.33Y](#) [823055A20001MW](#) [825140A40010MP](#) [825290C43.75MX](#) [82714023](#) [82800003](#) [82830009](#) [82810017](#)
[R88M-K90010F-S2](#) [89830012](#) [82840003](#) [82840004](#) [82869011](#) [82524021](#) [82862202](#) [82869006](#) [82861013](#) [80803009](#) [80547015](#) [82862205](#)
[R88M-K40030T-B](#) [80527006](#) [82330514](#) [81021118](#) [82524004](#) [89800008](#) [82867009](#) [82662564](#) [82662515](#) [82600041](#) [82524008](#) [82524006](#)