

5 Nm RC65 10 and 17 Watts 17 W Part number made to order



- Torque rating of gearboxes : 5 Nm, metal gears
- Motors : nominal power 9 W to 15 W
- Speed range : 1.04 to 208 rpm
- Replaceable brushes

Part numbers

| | Type | Type | Voltage | Output speed (rpm) | Ratios (i) |
|-----------------|------|--------|---------|--------------------|------------|
| 80807015 | 17 W | 808070 | 12 V | 42 | 62,5 |

Specifications

General characteristics

| | |
|--|--------|
| Motor | 828000 |
| Gearbox | 810370 |
| Maximum permitted torque from gearmotor under continuous conditions for 1 million turns (Nm) | 5 |
| Axial load dynamic (daN) | 2 |
| Radial load dynamic (daN) | 3 |
| Max. output power (W) | 16,3 |
| Nominal output (W) | 15,7 |
| Gearbox case temperature rise (°C) | 44 |
| Weight (g) | 800 |

Made to order products, available on request

Motors :

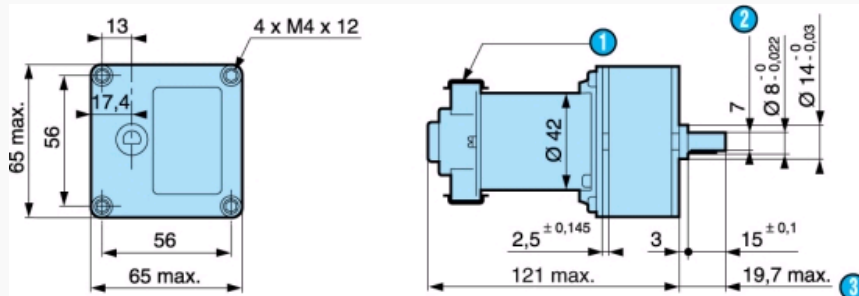
- Other supply voltages
- Motor with 1 ball bearing at front (essential for vertical motor)
- Shaft lengths at front and/or rear
- Special interference suppression
- 5 pulses/revolution magnetic encoder
- Other fixing flanges on front

Gearboxes :

- Drawn cup needle bearing for 81 032 6
- Special cover for 81 032 6
- Special greasing
- Special shaft
- Other reduction ratios

Dimensions (mm)

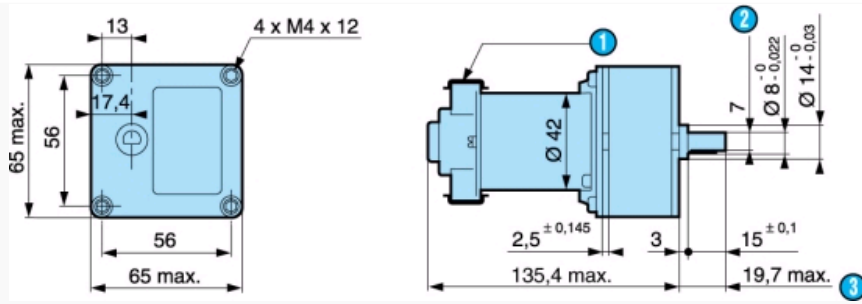
808070 standard



| N° | Legend |
|----|----------------------------------|
| ① | 2 tags IEC 760, series 4.8 x 0.5 |
| ② | 7 across flats |
| ③ | Shaft pushed-in |

Dimensions (mm)

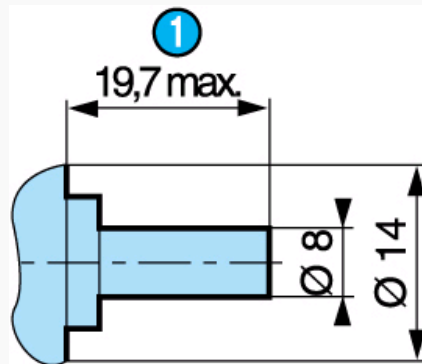
808070 encoder



| N° | Legend |
|----|----------------------------------|
| ① | 2 tags IEC 760, series 4.8 x 0.5 |
| ② | 7 across flats |
| ③ | Shaft pushed-in |

Dimensions (mm)

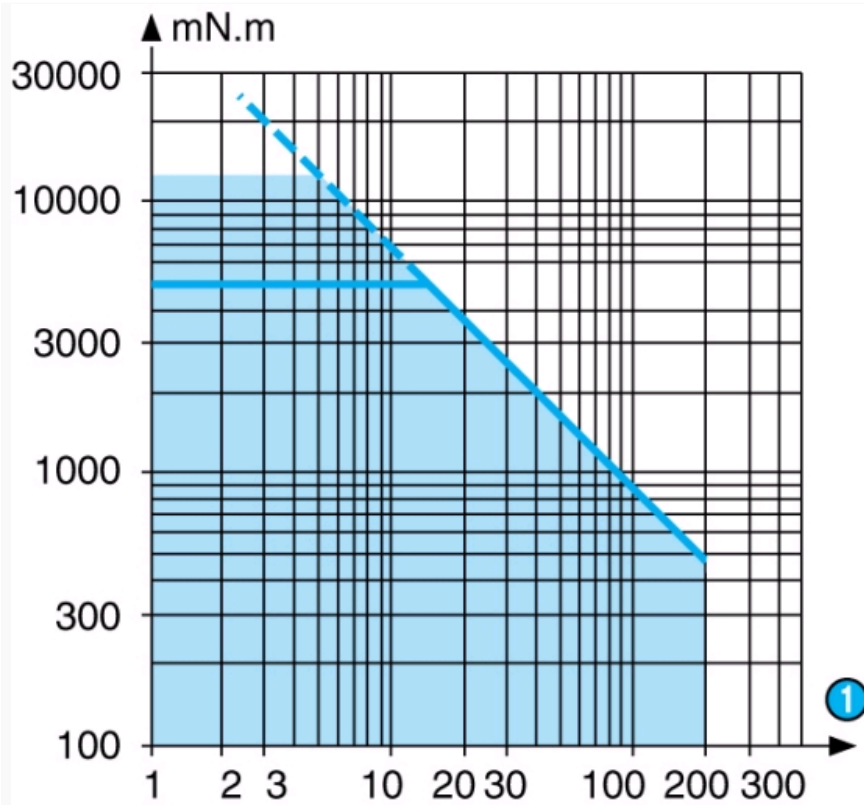
Gearbox shaft 79206478



| N° | Legend |
|----|-----------------|
| ① | Shaft pushed-in |

Curves

Curve : torque/nominal speed 808070



| N° | Legend |
|----|--------|
| 1 | rpm |

Product adaptations



- Special supply voltage
- Optical or Hall effect encoder
- Special connections
- Special shaft
- Special reduction ratio (40 ratios available from 4 to 3750)
- Special materials for gears
- Special ball bearings
- Special adaptor plate
- With 828105 or 828005 motor
- With 82830 - 30 W motor

X-ON Electronics

Largest Supplier of Electrical and Electronic Components

Click to view similar products for [AC, DC & Servo Motors](#) category:

Click to view products by [Crouzet](#) manufacturer:

Other Similar products are found below :

[79207644](#) [805470B40040MY](#) [80807028](#) [808070Y01125Z](#) [808550Y00049Z](#) [823055C10001MWY](#) [82520405](#) [82664024](#) [82802504](#)
[R88MK10030H](#) [M4E068-EC03-01](#) [M4E068-CF01-01](#) [79265119](#) [80510503](#) [805470A40040MY](#) [805470B40020MY](#) [80627003](#)
[808070Y00250Y](#) [808070Y83.33Y](#) [823055A20001MW](#) [825140A40010MP](#) [825290C43.75MX](#) [82714023](#) [82800003](#) [82830009](#) [82810017](#)
[R88M-K90010F-S2](#) [89830012](#) [82840003](#) [82840004](#) [82869011](#) [82524021](#) [82862202](#) [82869006](#) [82861013](#) [80803009](#) [80547015](#) [82862205](#)
[R88M-K40030T-B](#) [80527006](#) [82330514](#) [81021118](#) [82524004](#) [89800008](#) [82867009](#) [82662564](#) [82662515](#) [82600041](#) [82524008](#) [82524006](#)