

Single direction synchronous geared motors

→ 2 Nm 3 and 3.5 Watts

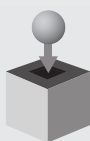
- Mechanical strength : 2 Nm
- Constant speed, dependent on supply frequency
- Wide range of speeds available
- Direction of rotation controlled by long-life mechanical anti-return
- Permanent magnet rotor
- Silent operation
- UL, CSA, VDE approved, comply with IEC standards



Specifications

		3 Watts 82 304 0 115 V - 60 Hz		3.5 Watts 82 305 5 115 V - 60 Hz	
Output speed	Ratios	Counter-Clockwise	Clockwise	Counter-Clockwise	Clockwise
38.4 rpm	18.75	82 304 0A238.4MX ●	82 304 0A138.4MX ●	82 305 5A238.4MX ●	82 305 5A138.4MX ●
28.8 rpm	25	82 304 0A228.8MX ●	82 304 0A128.8MX ●	82 305 5A228.8MX ●	82 305 5A128.8MX ●
18 rpm	40	82 304 0A20018MX ●	82 304 0A10018MX ●	82 305 5A20018MX ●	82 305 5A10018MX ●
14.4 rpm	50	82 304 0A214.4MX ●	82 304 0A114.4MX ●	82 305 5A214.4MX ●	82 305 5A114.4MX ●
12 rpm	60	82 304 0A20012MX ●	82 304 0A10012MX ●	82 305 5A20012MX ●	82 305 5A10012MX ●
9 rpm	80	82 304 0A20009MX ●	82 304 0A10009MX ●	82 305 5A20009MX ●	82 305 5A10009MX ●
7.2 rpm	100	82 304 0A207.2MX ●	82 304 0A107.2MX ●	82 305 5A207.2MX ●	82 305 5A107.2MX ●
6 rpm	120	82 304 0A20006MX ●	82 304 0A10006MX ●	82 305 5A20006MX ●	82 305 5A10006MX ●
4.5 rpm	160	82 304 0A204.5MX ●	82 304 0A104.5MX ●	82 305 5A204.5MX ●	82 305 5A104.5MX ●
2.88 rpm	250	82 304 0A22.88MX ●	82 304 0A12.88MX ●	82 305 5A22.88MX ●	82 305 5A12.88MX ●
2.4 rpm	300	82 304 0A202.4MX ●	82 304 0A102.4MX ●	82 305 5A202.4MX ●	82 305 5A102.4MX ●
1.33 rpm	540	82 304 0A21.33MX ●	82 304 0A11.33MX ●	82 305 5A21.33MX ●	82 305 5A11.33MX ●
1.2 rpm	600	82 304 0A201.2MX ●	82 304 0A101.2MX ●	82 305 5A201.2MX ●	82 305 5A101.2MX ●
0.86 rpm	800	82 304 0A20.86MX ●	82 304 0A10.86MX ●	82 305 5A20.86MX ●	82 305 5A10.86MX ●
0.67 rpm	1,080	82 304 0A20.67MX ●	82 304 0A10.67MX ●	82 305 5A20.67MX ●	82 305 5A10.67MX ●
0.48 rpm	1,500	82 304 0A20.48MX ●	82 304 0A10.48MX ●	82 305 5A20.48MX ●	82 305 5A10.48MX ●
0.24 rpm	3,000	82 304 0A20.24MX ●	82 304 0A10.24MX ●	82 305 5A20.24MX ●	82 305 5A10.24MX ●
0.15 rpm	4,800	82 304 0A20.15MX ●	82 304 0A10.15MX ●	82 305 5A20.15MX ●	82 305 5A10.15MX ●
0.12 rpm	6,000	82 304 0A20.12MX ●	82 304 0A10.12MX ●	82 305 5A20.12MX ●	82 305 5A10.12MX ●
8/5 rph	27,000	82 304 0A201.6HX ●	82 304 0A101.6HX ●	82 305 5A201.6HX ●	82 305 5A101.6HX ●
4/5 rph	54,000	82 304 0A200.8HX ●	82 304 0A100.8HX ●	82 305 5A200.8HX ●	82 305 5A100.8HX ●
6/25 rph	180,000	82 304 0A20.24HX ●	82 304 0A10.24HX ●	82 305 5A20.24HX ●	82 305 5A10.24HX ●
General characteristics					
Motor		82 340 0		82 330 5	
Gearbox		81 033 0		81 033 0	
Maximum permitted torque from gearmotor under continuous conditions for 1 millions turns of the gearmotor (N.m)		2		2	
Radial load (static) daN		1		1	
Axial load (static) daN		10		10	
Absorbed power (W)		3		3.5	
Motor output (W)		0.16		0.42	
Maximum temperature rise (°C)		55		55	
Ambient temperature (°C)		-50 → +60		-50 → +60	
Weight (g)		250		300	
Wires length mm (approximately)		250		250	
Protection rating		IP40		IP40	

Products adaptations, available on request



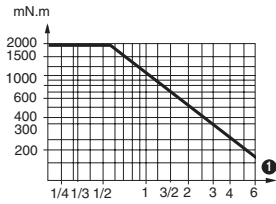
- Special supply voltages
- Special lead lengths
- Special connectors
- Special output shafts
- Special gearbox ratios
- Special gear material
- Special output bearings
- Special mounting plate

Products and specifications subject to change without notice.

Order/Technical Support - Tel: (800) 677-5311 / FAX: (800) 677-3865 / www.crouzet-usa.com

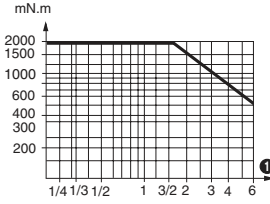
Curves

Graph of torque versus speed 82 304 0



① RPM

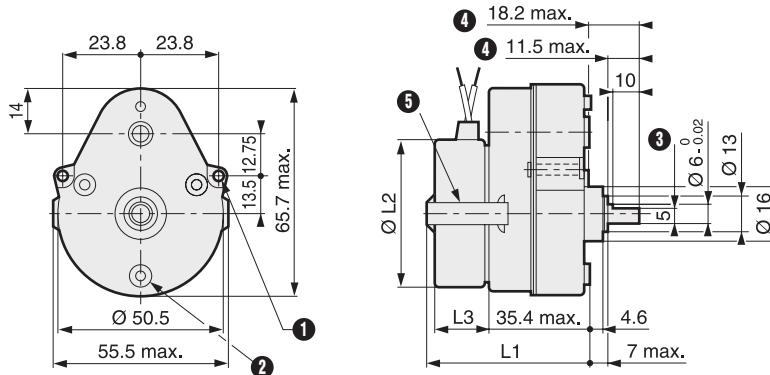
Graph of torque versus speed 82 305 0



① RPM

Dimensions

82 304 0 - 82 305 5

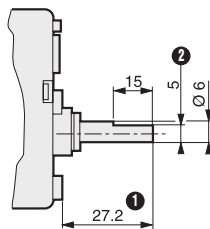


- ① 2 fixing holes Ø 3.2
- ② 3 mounting bosses Ø 7.2 at 120° on radius = 19.5 with 3 holes M3 depth 4
- ③ across flat
- ④ (pushed-in shaft ←)
- ⑤ fixing clip

82 304 0 L1 = 54.8 mm max. / Ø L2 = 47.2 mm max. / L3 = 16.9 mm max.
 82 305 5 L1 = 59.85 mm max. / Ø L2 = 47.2 mm max. / L3 = 22.9 mm max.

Options

Shaft 79 202 573



- ① 5 across flat
- ② (pushed-in shaft ←)

Other information

The speed of a motor powered by a 60 Hz supply is 20 % higher than that of a motor powered by a 50 Hz supply.

Products and specifications subject to change without notice.

Order/Technical Support - Tel: (800) 677-5311 / FAX: (800) 677-3865 / www.crouzet-usa.com

X-ON Electronics

Largest Supplier of Electrical and Electronic Components

Click to view similar products for [AC, DC & Servo Motors](#) category:

Click to view products by [Crouzet](#) manufacturer:

Other Similar products are found below :

[79207644](#) [805470B40040MY](#) [80807028](#) [808070Y01125Z](#) [808550Y00049Z](#) [823055C10001MWY](#) [82520405](#) [82664024](#) [82802504](#)
[R88MK10030H](#) [M4E068-EC03-01](#) [M4E068-CF01-01](#) [79265119](#) [80510503](#) [805470A40040MY](#) [805470B40020MY](#) [80627003](#)
[808070Y00250Y](#) [808070Y83.33Y](#) [823055A20001MW](#) [825140A40010MP](#) [825290C43.75MX](#) [82714023](#) [82800003](#) [82830009](#) [82810017](#)
[R88M-K90010F-S2](#) [R88M-K1K030H-S2](#) [89830012](#) [82840003](#) [82840004](#) [82869011](#) [82524021](#) [82862202](#) [82869006](#) [82861013](#) [80803009](#)
[80547015](#) [82862205](#) [R88M-K40030T-B](#) [80527006](#) [82330514](#) [81021118](#) [82524004](#) [89800008](#) [82867009](#) [82662564](#) [82662515](#) [82600041](#)
[82524008](#)