

### Starting/running torque 8 mNm 0.42 Watts Part number 82330583



- Constant speed dependent on supply frequency
- Direction of rotation controlled by long-life mechanical anti-return
- Permanent magnet rotor with 5 pole pairs
- Toughened shaft turning on two moulded polyamide bearings
- UL, CSA (class B)

#### Part numbers

	Type	Type	Direction of rotation	Voltage / Frequency
82330583	0.42 Watts	82 330 5	Anti-clockwise	230 V - 50 Hz

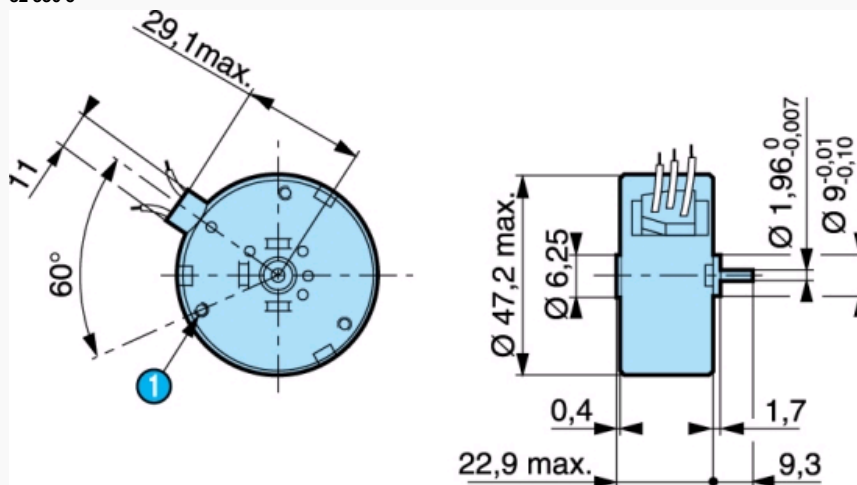
#### Specifications

##### General characteristics

Base speed of motor (50 Hz) (rpm)	600
Absorbed power (W)	3,5
Usable Power (W)	0,42
Starting/running torque (mNm)	8
Stall torque (mNm)	12
Temperature rise (°C)	55
Ambient temperature (°C)	-5 → +60
Maximum inertial load that can be moved (g.cm <sup>2</sup> )	11
Number of offload starts 10 <sup>6</sup>	10
Max. reverse rotation angle (°)	72
Insulation resistance (MΩ)	75 x 10 <sup>3</sup>
Breakdown voltage (V-50 Hz)	1800 - 1 s
Weight (g)	160
Wires length mm (approximately)	250
Protection rating	IP30

#### Dimensions (mm)

82 330 5



N°	Legend
①	3 fixing holes Ø M2 at 120 ° on r=19.5 max. depth 3.5 mm

#### Product adaptations



- Different voltages available
- Pinion on output shaft
- Special cable lengths
- Special connectors

## X-ON Electronics

Largest Supplier of Electrical and Electronic Components

*Click to view similar products for [AC, DC & Servo Motors](#) category:*

*Click to view products by [Crouzet](#) manufacturer:*

Other Similar products are found below :

[79207644](#) [805470B40040MY](#) [80807028](#) [808070Y01125Z](#) [808550Y00049Z](#) [823055C10001MWY](#) [82520405](#) [82664024](#) [82802504](#)  
[R88MK10030H](#) [M4E068-EC03-01](#) [M4E068-CF01-01](#) [79265119](#) [80510503](#) [805470A40040MY](#) [805470B40020MY](#) [80627003](#)  
[808070Y00250Y](#) [808070Y83.33Y](#) [823055A20001MW](#) [825140A40010MP](#) [825290C43.75MX](#) [82714023](#) [82800003](#) [82830009](#) [82810017](#)  
[R88M-K90010F-S2](#) [89830012](#) [82840003](#) [82840004](#) [82869011](#) [82524021](#) [82862202](#) [82869006](#) [82861013](#) [80803009](#) [80547015](#) [82862205](#)  
[R88M-K40030T-B](#) [80527006](#) [82330514](#) [81021118](#) [82524004](#) [89800008](#) [82867009](#) [82662564](#) [82662515](#) [82600041](#) [82524008](#) [82524006](#)