

### Ø 42 mm 10 and 17 Watts 17 W Part number 82800036



- Usable power : 9 to 16 W
- For low-speed drive applications
- Sintered bronze bearings lubricated for life
- Power supply by 4.75 mm tags
- Interchangeable brushes
- Optional one-channel encoder

#### Part numbers

	Type	Type	Voltage	References
82800036	17 W	828000	12 V	Without encoder

#### Specifications

##### No-load characteristics

Speed of rotation (rpm)	2960
Absorbed power (W)	4,8
Absorbed current (A)	0,4

##### Nominal characteristics

Speed (rpm)	2000
Torque (mNm)	75
Usable power (W)	15,7
Absorbed power (W)	30
Absorbed current (A)	2,5
Gearbox case temperature rise (°C)	44
Efficiency (%)	52

##### General characteristics

Insulation class (conforming to IEC 85)	F (155 °C)
Protection (IEC/EN 60529)	IP20
Max. output power (W)	16,3
Start torque (mNm)	185
Starting current (A)	5,8
Resistance (Ω)	2
Inductance (mH)	1,8
Torque constant (Nm/A)	0,0342
Electrical time constant (ms)	0,89
Mechanical time constant (ms)	18
Thermal time constant (mn)	12
Inertia (g.cm <sup>2</sup> )	105
Weight (g)	400
Number of segments	8
Service life (h)	3000
Sintered bronze bearings	■
Replaceable brushes	■

##### Encoder characteristics

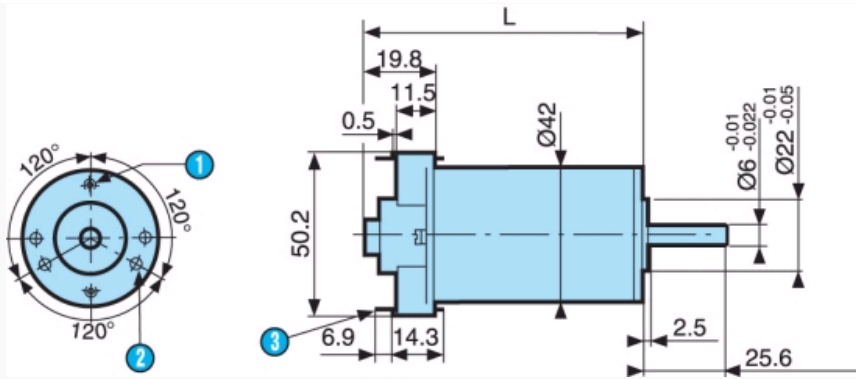
Output current (mA)	< 25 (25 °C)
Supply (V)	4,5 →30 DC
Ambient temperature (°C)	-40 →85 °C

#### Made to order products, available on request

- **Special interference suppression**
- Other supply voltages
- Motor with 1 ball bearing at front (essential for vertical motor)
- Shaft lengths at front and/or rear
- 5 pulses/revolution magnetic encoder
- Reversible magnetic encoder (1 or 5 pulses/revolution)
- Other fixing flanges on front

#### Dimensions (mm)

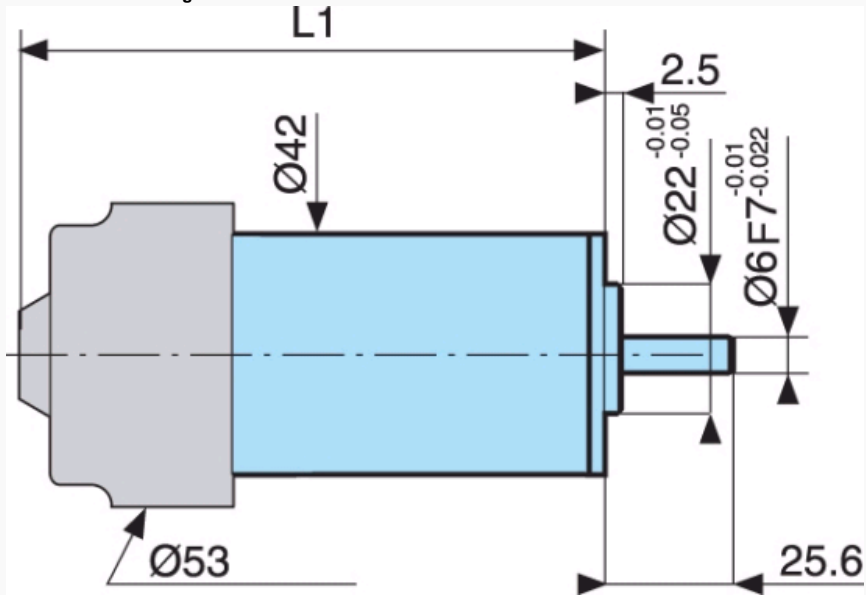
828000 - 828100



N°	Legend
1	2 x M3 at 180°, depth 5 mm over Ø 32
2	2 holes Ø 2.75 $\pm 0.05$ at 120° depth 5 mm Ø 32
3	2 tags IEC 760, series 4.8 x 0.5
	L : 828000 : 84.8 mm max.
	L : 828100 : 69.8 mm max.

### Dimensions (mm)

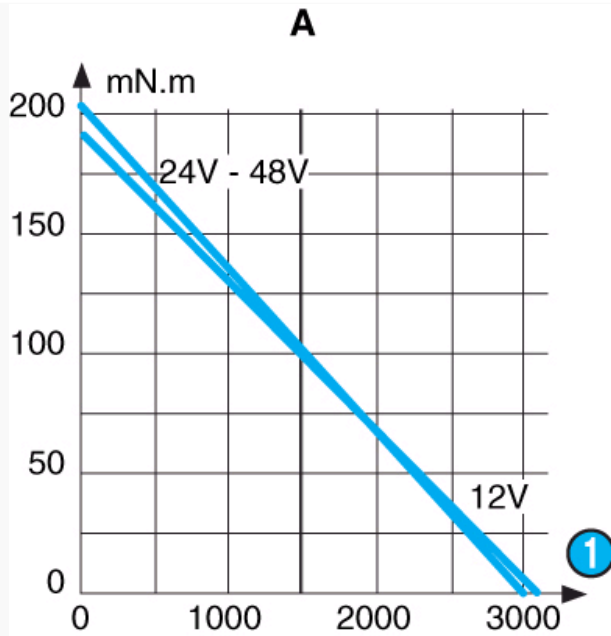
Dimensions with magnetic encoder



N°	Legend
	L1 : 828000 : 99.1 mm max.
	L1 : 828100 : 84.1 mm max.

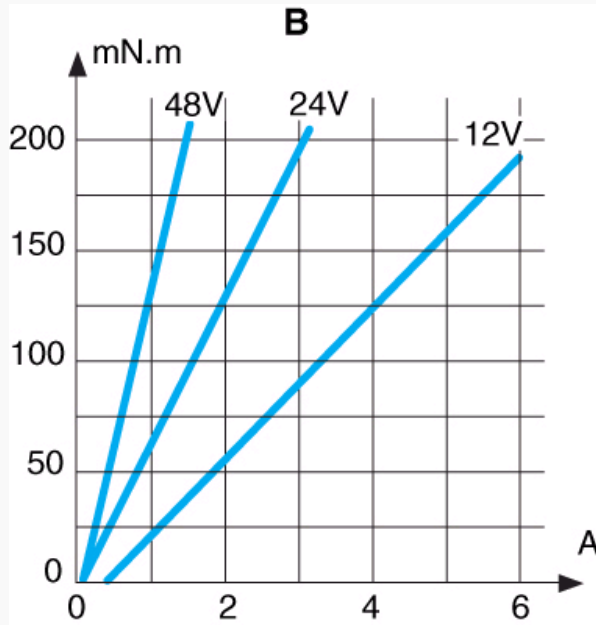
### Curves

828000



N°	Legend
①	rpm
✖	Torque/speed curve

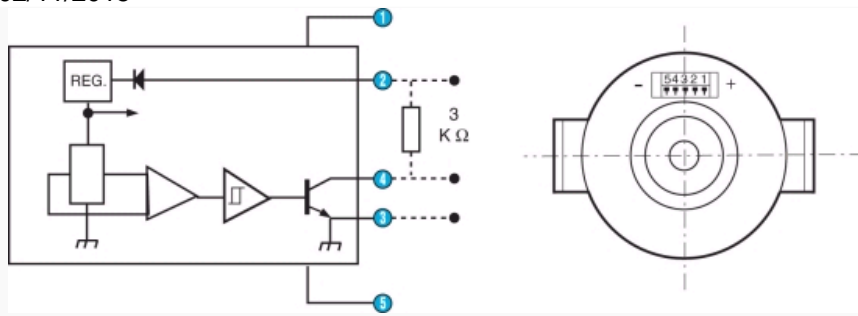
**Curves**  
828000



N°	Legend
✖	Torque/current curve

**Connections**

Encoder and connector : STOCKO MKS 3735-6-0-505



Part number of female connector to be used : STOCKO MKF 17-230 / 260 / 330 / 360

N°	Legend
①	Motor power supply
②	+5 → +24 V DC (encoder power supply)
③	0 V DC (encoder power supply)
④	Encoder signal output
⑤	Motor power supply

#### Product adaptations



- Special output shaft
- Pinion on output shaft
- Special supply voltage
- Special ball bearings
- Special mounting plate
- Special connections
- Encoder : 5, 200, 500 or 1000 pulses/revolution

## X-ON Electronics

Largest Supplier of Electrical and Electronic Components

*Click to view similar products for [AC, DC & Servo Motors](#) category:*

*Click to view products by [Crouzet](#) manufacturer:*

Other Similar products are found below :

[79207644](#) [805470B40040MY](#) [80807028](#) [808070Y01125Z](#) [808550Y00049Z](#) [823055C10001MWY](#) [82520405](#) [82664024](#) [82802504](#)  
[R88MK10030H](#) [M4E068-EC03-01](#) [M4E068-CF01-01](#) [79265119](#) [80510503](#) [805470A40040MY](#) [805470B40020MY](#) [80627003](#)  
[808070Y00250Y](#) [808070Y83.33Y](#) [823055A20001MW](#) [825140A40010MP](#) [825290C43.75MX](#) [82714023](#) [82800003](#) [82830009](#) [82810017](#)  
[R88M-K90010F-S2](#) [89830012](#) [82840003](#) [82840004](#) [82869011](#) [82524021](#) [82862202](#) [82869006](#) [82861013](#) [80803009](#) [80547015](#) [82862205](#)  
[R88M-K40030T-B](#) [80527006](#) [82330514](#) [81021118](#) [82524004](#) [89800008](#) [82867009](#) [82662564](#) [82662515](#) [82600041](#) [82524008](#) [82524006](#)