

Ø 63 mm 33 and 67 Watts 33 W Part number 82830010



- Long service life
- Usable power : 27 to 50 W
- For low-speed, high-power drive applications
- With 2 ball bearings
- Power supply via 2 output leads

Part numbers

	Type	Type	Voltage	References
82830010	33 W	828300	24 V	Without encoder

Specifications

No-load characteristics

Speed of rotation (rpm)	2100
Absorbed power (W)	4,8
Absorbed current (A)	0,2

Nominal characteristics

Speed (rpm)	1500
Torque (mNm)	172
Usable power (W)	27
Absorbed power (W)	45
Absorbed current (A)	1,9
Gearbox case temperature rise (°C)	50
Efficiency (%)	60

General characteristics

Insulation class (conforming to IEC 85)	F (155 °C)
Protection (IEC/EN 60529)	IP20
Max. output power (W)	33
Start torque (mNm)	600
Starting current (A)	6,2
Resistance (Ω)	3,9
Inductance (mH)	6,4
Torque constant (Nm/A)	0,1
Electrical time constant (ms)	1,64
Mechanical time constant (ms)	19
Thermal time constant (mn)	37
Inertia (g.cm ²)	492
Weight (g)	840
Number of segments	12
Service life (h)	5000
Ball bearings	■
Wires length (mm)	200

Encoder characteristics

Current consumption (mA)	0,15 → 15
Output current (mA)	< 20 (25 °C)
Supply (V)	4,5 → 35 DC
Ambient temperature (°C)	-25 → +85

Accessories

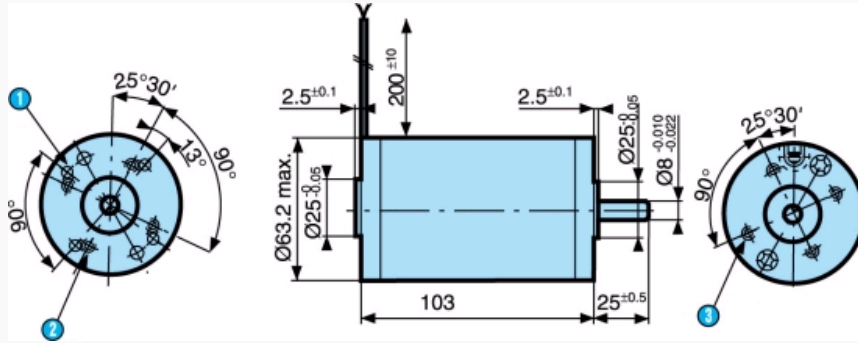
Connection	Code
Pre-assembled female connector, casing 179228-3, tags 179227-1 and leads AWG24 250 mm	79209895

Made to order products, available on request

- Other supply voltages
- Shaft lengths at front and/or rear
- Built-in interference suppression
- Encoders
- Other fixing flanges on front and rear
- Short version possible (L = 90 mm)

Dimensions (mm)

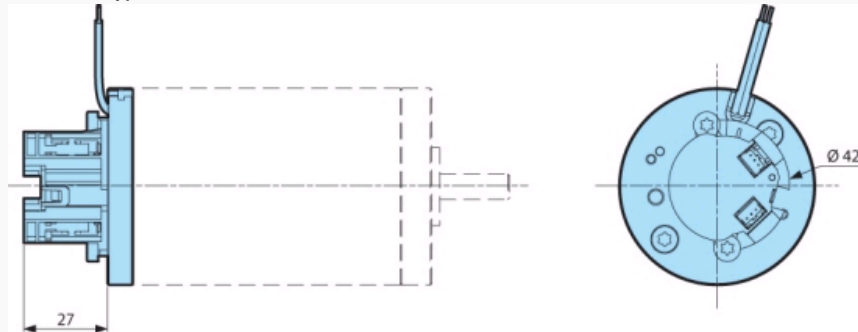
82 830 0 - 82 830 5 without encoder



N°	Legend
1	4 holes $\text{Ø}3.65_{\pm 0.05}$ at 90° over $\text{Ø}48$
2	4 holes M5 over $\text{Ø}40 \text{ mm}$ depth 7 mm
3	4 holes M5 over $\text{Ø}40 \text{ mm}$ depth 7 mm

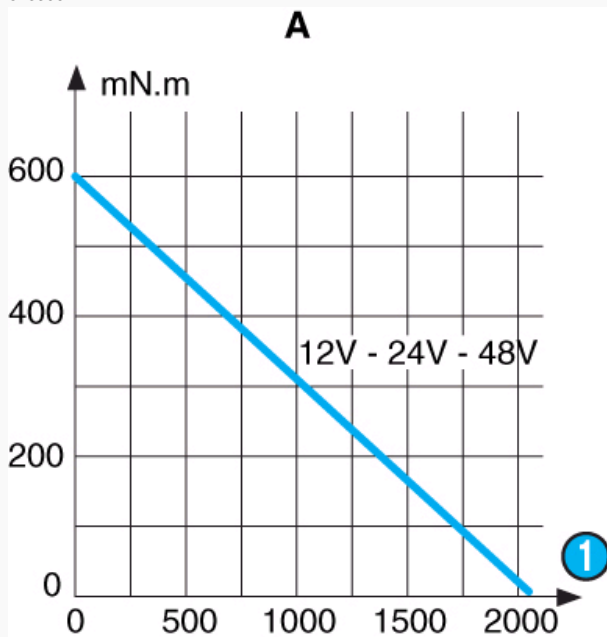
Dimensions (mm)

Encoder on types 828300 - 828305



Curves

828300

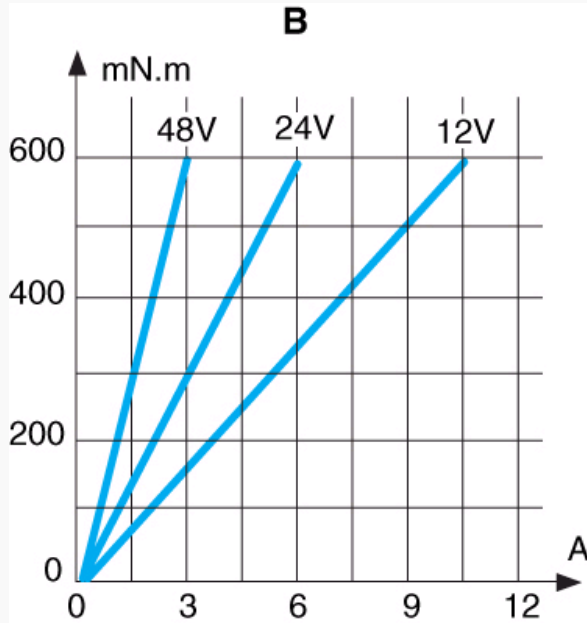


N°	Legend
1	rpm

✖	Torque/speed curve
---	--------------------

Curves

828300



✖	Legend
✖	Torque/current curve

Connections

Encoder

V DC	RD	RL
+ 5 V	190 Ω - 1/4 W	1,5 KΩ - 1/4 W
+ 12 V	560 Ω - 1/2 W	3,9 KΩ - 1/4 W
+ 24 V	1200 Ω - 1 W	8,2 KΩ - 1/4 W
+ 30 V	1500 Ω - 1 W	10 KΩ - 1/4 W

N°	Legend
①	Signal output
②	0 V DC (encoder power ground supply)
③	Emitting diode
④	Power supply V DC

Product adaptations

- Special output shaft
- Pinion on output shaft
- Special supply voltage
- Special cable length
- Special ball bearings
- Optical or Hall effect encoder - 1 or 2 channels - other resolutions
- Special mounting plate
- Special connectors
- EMC filter

X-ON Electronics

Largest Supplier of Electrical and Electronic Components

Click to view similar products for [AC, DC & Servo Motors](#) category:

Click to view products by [Crouzet](#) manufacturer:

Other Similar products are found below :

[79207644](#) [805470B40040MY](#) [80807028](#) [808070Y01125Z](#) [808550Y00049Z](#) [823055C10001MWY](#) [82520405](#) [82664024](#) [82802504](#)
[R88MK10030H](#) [M4E068-EC03-01](#) [M4E068-CF01-01](#) [79265119](#) [80510503](#) [805470A40040MY](#) [805470B40020MY](#) [80627003](#)
[808070Y00250Y](#) [808070Y83.33Y](#) [823055A20001MW](#) [825140A40010MP](#) [825290C43.75MX](#) [82714023](#) [82800003](#) [82830009](#) [82810017](#)
[R88M-K90010F-S2](#) [89830012](#) [82840003](#) [82840004](#) [82869011](#) [82524021](#) [82862202](#) [82869006](#) [82861013](#) [80803009](#) [80547015](#) [82862205](#)
[R88M-K40030T-B](#) [80527006](#) [82330514](#) [81021118](#) [82524004](#) [89800008](#) [82867009](#) [82662564](#) [82662515](#) [82600041](#) [82524008](#) [82524006](#)