

### Ø 63 mm 33 and 67 Watts 67 W Part number 82830502



- Long service life
- Usable power : 27 to 50 W
- For low-speed, high-power drive applications
- With 2 ball bearings
- Power supply via 2 output leads

#### Part numbers

	Type	Type	Voltage	References
82830502	67 W	828305	24 V	Without encoder

#### Specifications

##### No-load characteristics

Speed of rotation (rpm)	3660
Absorbed power (W)	12
Absorbed current (A)	0,5

##### Nominal characteristics

Speed (rpm)	2770
Torque (mNm)	170
Usable power (W)	50
Absorbed power (W)	72
Absorbed current (A)	3
Gearbox case temperature rise (°C)	50
Efficiency (%)	69,4

##### General characteristics

Insulation class (conforming to IEC 85)	F (155 °C)
Protection (IEC/EN 60529)	IP20
Max. output power (W)	67
Start torque (mNm)	700
Starting current (A)	11,8
Resistance (Ω)	2,03
Inductance (mH)	4,68
Torque constant (Nm/A)	0,0619
Electrical time constant (ms)	2,3
Mechanical time constant (ms)	33
Thermal time constant (mn)	18
Inertia (g.cm <sup>2</sup> )	500
Weight (g)	840
Number of segments	12
Service life (h)	4000
Ball bearings	■
Wires length (mm)	200

##### Encoder characteristics

Current consumption (mA)	0,15 →15
Output current (mA)	< 20 (25 °C)
Supply (V)	4,5 →35 DC
Ambient temperature (°C)	-25 →+85

#### Accessories

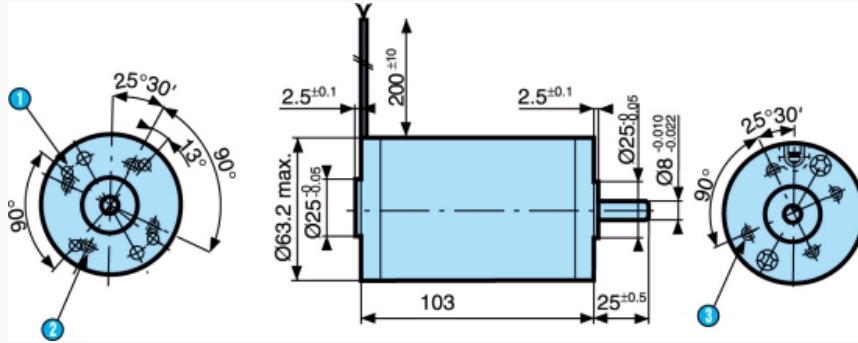
Connection	Code
Pre-assembled female connector, casing 179228-3, tags 179227-1 and leads AWG24 250 mm	79209895

#### Made to order products, available on request

- Other supply voltages
- Shaft lengths at front and/or rear
- Built-in interference suppression
- Encoders
- Other fixing flanges on front and rear
- Short version possible (L = 90 mm)

#### Dimensions (mm)

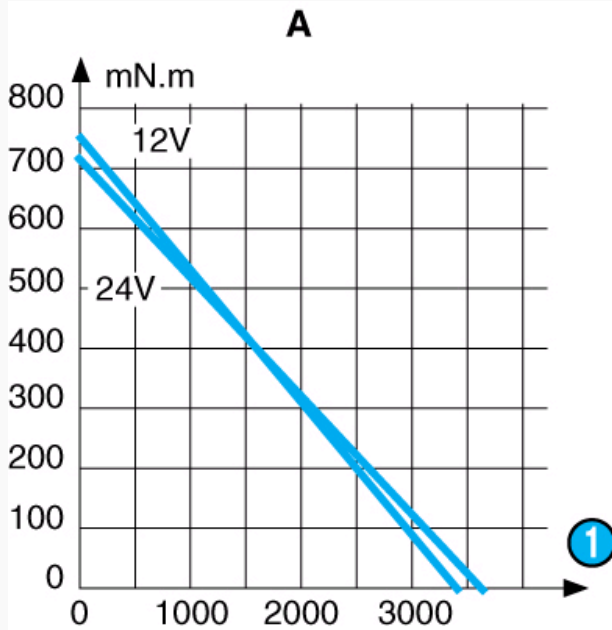
82 830 0 - 82 830 5 without encoder



N°	Legend
1	4 holes Ø 3.65 ±0.05 at 90° over Ø 48
2	4 holes M5 over Ø 40 mm depth 7 mm
3	4 holes M5 over Ø 40 mm depth 7 mm

Curves

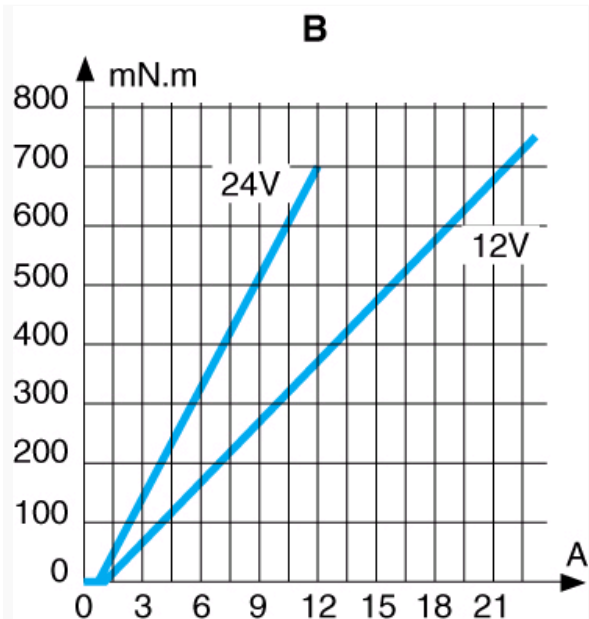
828305



N°	Legend
1	rpm
	Torque/speed curve

Curves

828305



N°	Legend
	Torque/current curve

#### Product adaptations



- Special output shaft
- Pinion on output shaft
- Special supply voltage
- Special cable length
- Special ball bearings
- Optical or Hall effect encoder - 1 or 2 channels - other resolutions
- Special mounting plate
- Special connectors
- EMC filter

## X-ON Electronics

Largest Supplier of Electrical and Electronic Components

*Click to view similar products for [AC, DC & Servo Motors](#) category:*

*Click to view products by [Crouzet](#) manufacturer:*

Other Similar products are found below :

[79207644](#) [805470B40040MY](#) [80807028](#) [808070Y01125Z](#) [808550Y00049Z](#) [823055C10001MWY](#) [82520405](#) [82664024](#) [82802504](#)  
[R88MK10030H](#) [M4E068-EC03-01](#) [M4E068-CF01-01](#) [79265119](#) [80510503](#) [805470A40040MY](#) [805470B40020MY](#) [80627003](#)  
[808070Y00250Y](#) [808070Y83.33Y](#) [823055A20001MW](#) [825140A40010MP](#) [825290C43.75MX](#) [82714023](#) [82800003](#) [82830009](#) [82810017](#)  
[R88M-K90010F-S2](#) [89830012](#) [82840003](#) [82840004](#) [82869011](#) [82524021](#) [82862202](#) [82869006](#) [82861013](#) [80803009](#) [80547015](#) [82862205](#)  
[R88M-K40030T-B](#) [80527006](#) [82330514](#) [81021118](#) [82524004](#) [89800008](#) [82867009](#) [82662564](#) [82662515](#) [82600041](#) [82524008](#) [82524006](#)