

2 Nm double ovoid 3.9 Watts 3.9 W Part number 82869011



- Torque rating of gearboxes : 2 Nm, high-performance plastic gears
- Motors : nominal power 3 W, interference suppression for standard stocked products
- Wide speed range : 0.3 to 430 rpm
- Optional encoder built into the motor

Part numbers

| | Type | Type | Voltage | Output speed (rpm) | Ratios (i) |
|----------|-------|--------|---------|--------------------|------------|
| 82869011 | 3.9 W | 828690 | 24 V | 108 | 40 |

Specifications

General characteristics

| | |
|--|--------|
| Motor | 828600 |
| Gearbox | 810330 |
| Maximum permitted torque from gearmotor under continuous conditions for 1 million turns (Nm) | 2 |
| Axial load static (daN) | 1 |
| Radial load static (daN) | 10 |
| Max. output power (W) | 3,9 |
| Nominal output (W) | 3 |
| Gearbox case temperature rise (°C) | 50 |
| Weight (g) | 240 |

Made to order products, available on request

Motors :

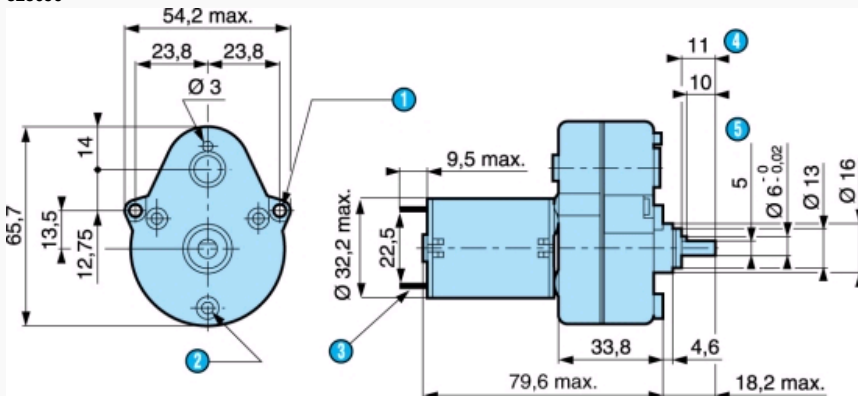
- Other supply voltages
- Motor with 2 ball bearings
- Shaft lengths at front and/or rear
- Lead outputs or radial tag terminals
- Special interference suppression
- Encoder : 5 pulses/rev

Gearboxes :

- Special shaft
- Ball bearings
- Special greasing
- Torque limiter F
- Gearbox fixing M3
- Other speeds

Dimensions (mm)

828690

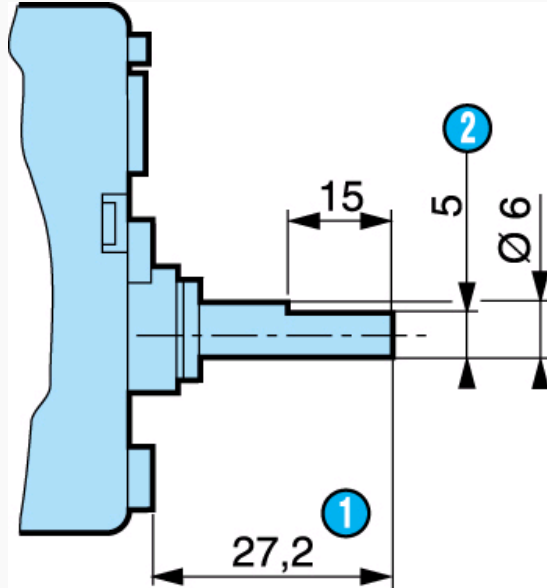


| N° | Legend |
|----|--|
| 1 | 2 fixing holes $\text{Ø} 3.2$ |
| 2 | 3 bosses $\text{Ø} 7.2$ at 120° on $R=19.5$ with 3 x M3 holes |

| | |
|---|---|
| ① | 2 standard tags NFC 20-120, series 2.8 x 0.5 mm |
| ④ | Shaft pushed-in |
| ⑤ | 5 across flats |

Dimensions (mm)

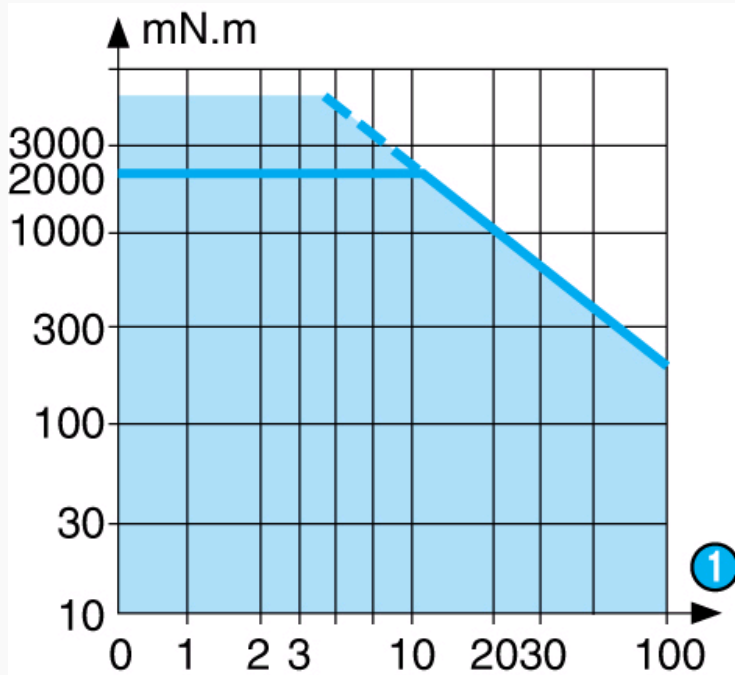
Shaft 79202573



| N° | Legend |
|----|-----------------|
| ① | Shaft pushed-in |
| ② | 5 across flats |

Curves

Curve : torque/nominal speed



| N° | Legend |
|----|--------|
| ① | rpm |

Product adaptations

- Special supply voltage
- Lead output
- 1 or 5 pulse Hall effect encoder
- Special connectors
- Special shaft
- Special reduction ratio
- Special materials for gears
- Special ball bearings
- Special adaptor plate
- Finishing and system Y
- More than 200 reduction ratios available
- With shorter 1 W motor

X-ON Electronics

Largest Supplier of Electrical and Electronic Components

Click to view similar products for [AC, DC & Servo Motors](#) category:

Click to view products by [Crouzet](#) manufacturer:

Other Similar products are found below :

[79207644](#) [805470B40040MY](#) [80807028](#) [808070Y01125Z](#) [808550Y00049Z](#) [823055C10001MWY](#) [82520405](#) [82664024](#) [82802504](#)
[R88MK10030H](#) [M4E068-EC03-01](#) [M4E068-CF01-01](#) [79265119](#) [80510503](#) [805470A40040MY](#) [805470B40020MY](#) [80627003](#)
[808070Y00250Y](#) [808070Y83.33Y](#) [823055A20001MW](#) [825140A40010MP](#) [825290C43.75MX](#) [82714023](#) [82800003](#) [82830009](#) [82810017](#)
[R88M-K90010F-S2](#) [R88M-K1K030H-S2](#) [89830012](#) [82840003](#) [82840004](#) [82869011](#) [82524021](#) [82862202](#) [82869006](#) [82861013](#) [80803009](#)
[80547015](#) [82862205](#) [R88M-K40030T-B](#) [80527006](#) [82330514](#) [81021118](#) [82524004](#) [89800008](#) [82867009](#) [82662564](#) [82662515](#) [82600041](#)
[82524008](#)