

0.5 Nm 5 and 7.5 Watts 7.5 Watts Part number made to order



Part numbers

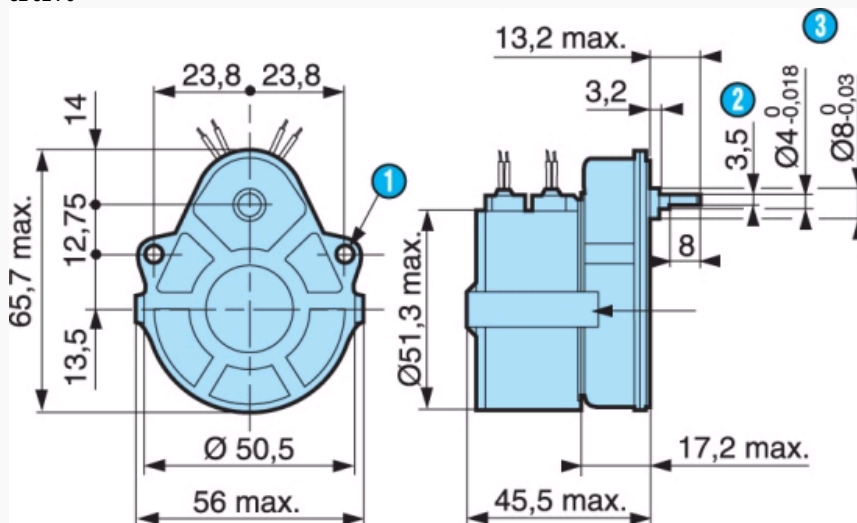
Type	Type	Number of phases	Ratios	
82 924 028	7.5 Watts	82 924 0	4	10

Specifications

Stepper motor / Number of phases	82 920 012 / 4
Gearbox	81 021
Step angle (°)	7,5
Maximum permitted torque from gearmotor under continuous conditions (Nm)	0,5
Axial load static (daN)	1
Radial load static (daN)	8
Absorbed power (W)	7,5
Coil temperature (°C)	120
Weight (g)	140
Wires length (mm)	250
Protection rating	IP40

Dimensions (mm)

82 924 0



N°	Legend
1	2 fixing holes $\varnothing 3.2$
2	3.5 across flat
3	(pushed-in shaft)

Product adaptations



- Special output shafts
- Special supply voltages
- Special cable lengths
- Special output bearings
- Special connectors
- Special gearbox ratios
- Special mounting plate
- Special gear wheel material

X-ON Electronics

Largest Supplier of Electrical and Electronic Components

Click to view similar products for [Stepper Motors](#) category:

Click to view products by [Crouzet](#) manufacturer:

Other Similar products are found below :

[HT17-275](#) [5014-020](#) [HT17-271D](#) [HT23-596](#) [HT23-597](#) [82924041](#) [82924036](#) [82924049](#) [82914016](#) [HT08-221](#) [STEPPER MOTOR WITH 28CM LEAD SCREW](#) [MS11HS3P4067-09RL](#) [ML23HS8P4150-09RL](#) [MS17HD6P4200-24RL](#) [MS11HS5P4150-13RL](#) [MS08HY1P4050-09RL](#) [MS08HY3P4050-02RL](#) [ML24HCAL3550-01RL](#) [MS17HD6P4100-16RL](#) [ML23HS8P4220-16RL](#) [MS17HD2P4200-20RL](#) [ML23HSAL4500-E](#) [ML23HS4P4150-06RL](#) [MS14HS5P4100-03RL](#) [MS17HD2P4100-27RL](#) [MS14HS1P4100-09RL](#) [ML34HD2L8500-01RL](#) [MS11HS1P4100-25RL](#) [ML23HSAP4150-04RL](#) [ML23HSAP4300-18RL](#) [ML23HS4P4100-02RL](#) [PL23HS8L4550-05RL](#) [PL23HSAL4500-05RL](#) [MS17HD4P4150-22RL](#) [HT23-598D-ZAA](#) [82930002](#) [HT34-504](#) [PD57-2-1378-TMCL](#) [HT17-268D-CAA](#) [103H8223-5141](#) [103H7126-5840](#) [SANYO MINIATURE STEPPER MOTOR](#) [STEPPER MOTOR BIPOLAR 42X38MM 2.8V 1.7A](#) [SY20STH30-0604A](#) [STEPPER MOTOR: UNIPOLAR/BIPOLAR 57Å—56MM](#) [PM25S-048-HHC4](#) [NSANYO PANCAKE STEPPER MOTOR: BIPOLAR 42×](#) [SP2563-5160](#) [FIT0278](#) [FIT0349](#)