

### 83118 Standard 831180 Part number 83118007



- Reduced actuation force
- Very short differential travel
- Choice of actuators

#### Part numbers

	Type	Function	Connections
83118007	Standard 831180	I (changeover)	W1

#### Specifications

##### Electrical characteristics

Rating nominal / 250 VAC (A)	5
Rating thermal / 250 VAC (A)	17,5

##### Mechanical characteristics

Maximum operating force (N)	2,7
Min. Release force (N)	0,75
Operating position (mm)	16 <sup>±0,3</sup>
Min. overtravel (mm)	0,2
Mechanical life (operations)	5x10 <sup>6</sup>
Maximum total travel force (N)	4
Max. permitted overtravel force (N)	30
Maximum rest position (mm)	16,7
Differential travel (mm)	0,03 →0,09
Ambient operating temperature (°C)	- 40 →+125
Contact gap (mm)	0,5
Weight (g)	21

#### Additional specifications

##### Components

##### Material

- Case : thermoset UL94V0
- Contacts : pure silver

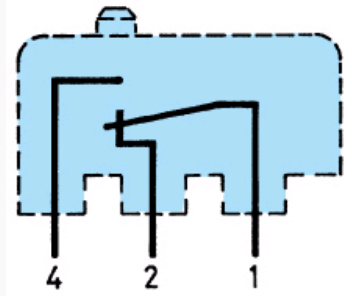
##### Levers

- Flexible stainless steel

##### Other levers

- Passivated mild steel (zinc), self-retaining screws

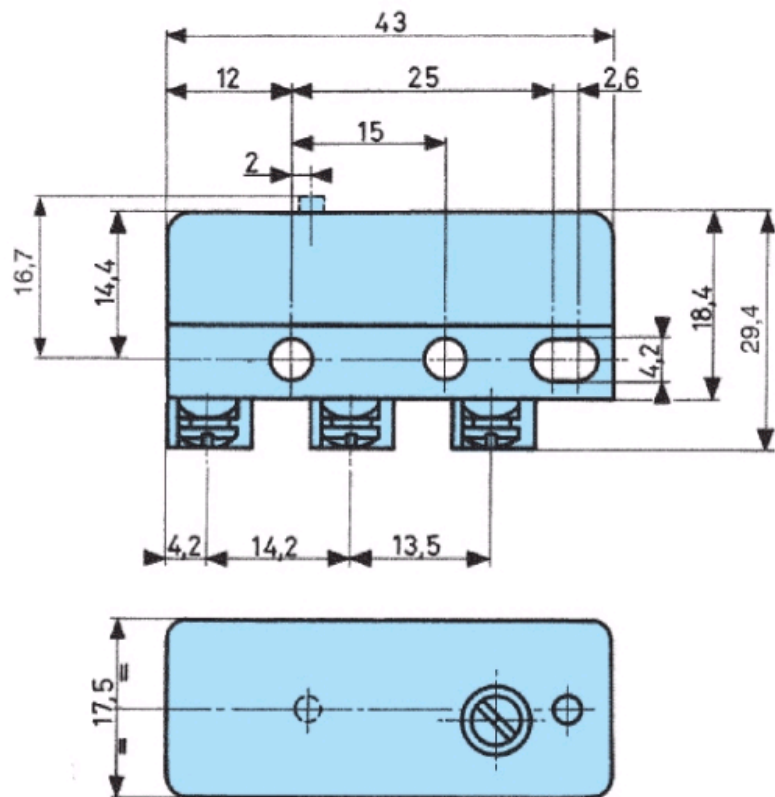
#### Principles



#### Dimensions (mm)

##### Product

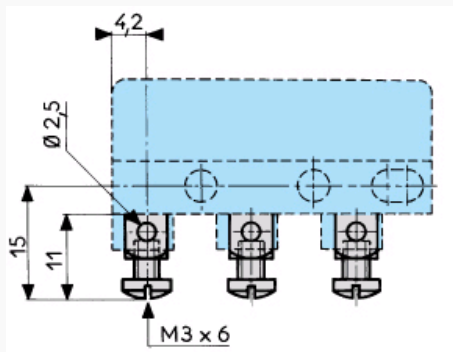
831180 / 83118 S1



Dimensions (mm)

Connections

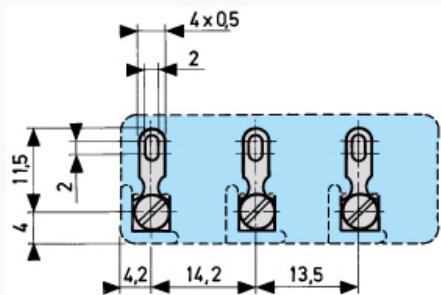
W1 screw



Dimensions (mm)

Connections

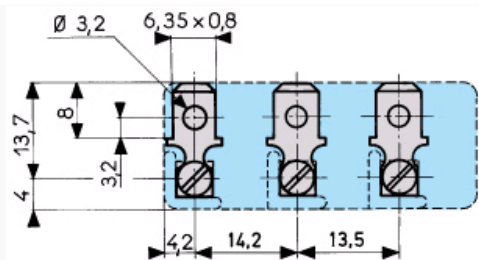
W2 solder



Dimensions (mm)

Connections

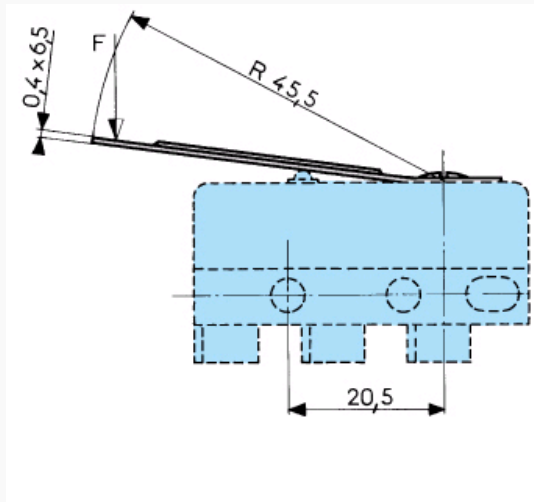
W3 for 6.35 mm clips



#### Dimensions (mm)

#### Actuators

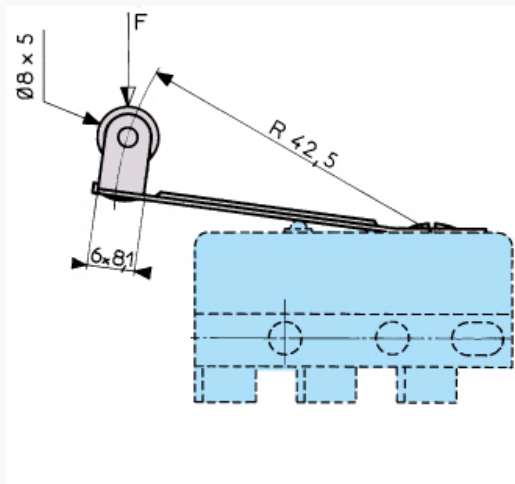
52A



#### Dimensions (mm)

#### Actuators

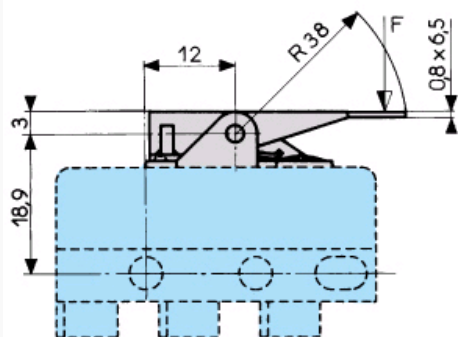
52B



#### Dimensions (mm)

#### Actuators

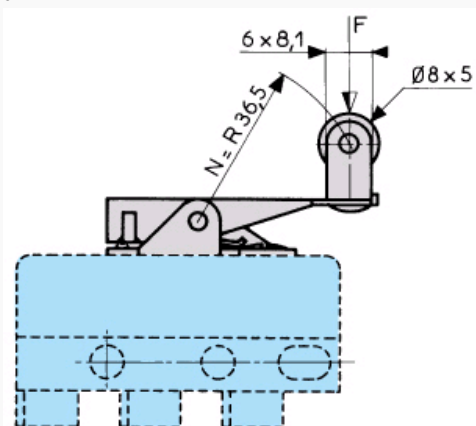
52M



#### Dimensions (mm)

#### Actuators

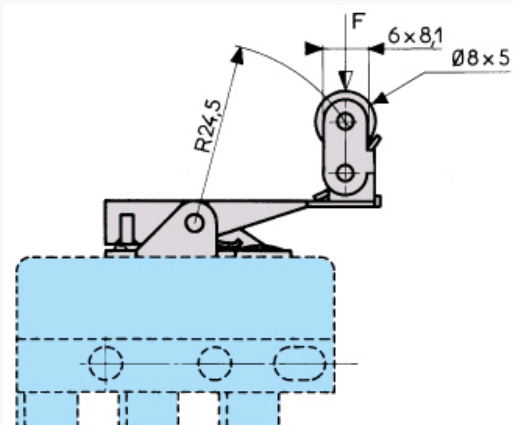
52N



#### Dimensions (mm)

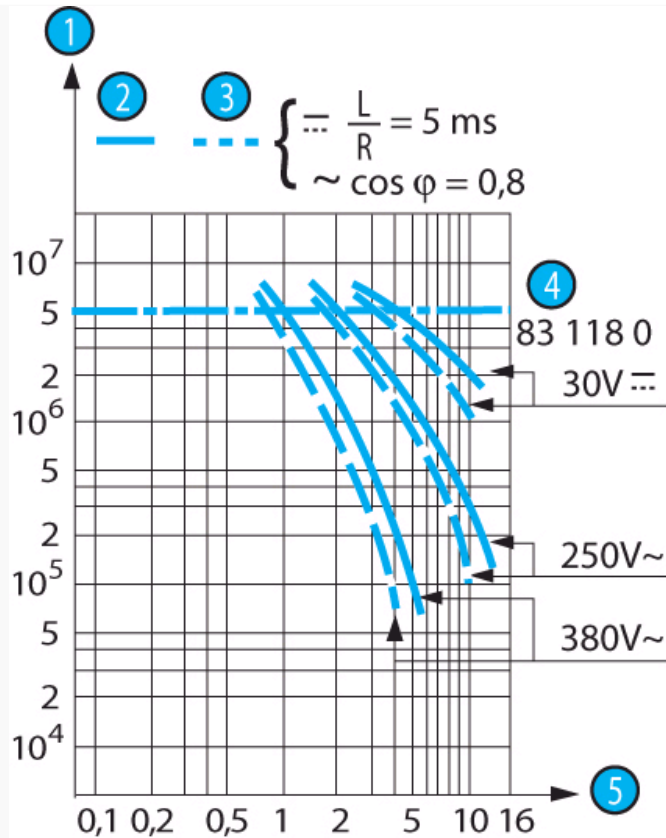
#### Actuators

52V



#### Curves

Operating curve for types 831180 - 83118 S1



N°	Legend
1	Number of cycles
2	Resistive circuit
3	Inductive circuit
4	Mechanical life limit
5	Current in Amps

**Connections**

**Actuators and fixing positions**

Part numbers for actuators						
Flexible direct-acting actuators: S2A - S2B	S2A R45.5	S2B R42.5	S2M R38	S2N R36.5	S2V R24.5	70 520 029
Hinged reverse-action actuators: S2M - S2N - S2V						
Operating force - max.	N	2.5	1.4	0.85	1.5	1.4
Release force - min.	N	0.8	0.55	0.27	0.4	0.4
Pre-travel - max.	mm	4.5		2		1.5
Differential travel	mm	0.45 <sup>UL20</sup>		0.3 <sup>UL15</sup>		0.16 <sup>UL08</sup>
Total travel max.	mm	7		10		5

**Other information**

**Mounting - Operation**

See basic technical concepts

**Product adaptations**



- Special levers
- Special connections, temperatures
- Approvals : UL - cUL

## X-ON Electronics

Largest Supplier of Electrical and Electronic Components

*Click to view similar products for [Basic / Snap Action Switches](#) category:*

*Click to view products by [Crouzet](#) manufacturer:*

Other Similar products are found below :

[5SM901-S12](#) [5SM9-S12N195](#) [602EN532](#) [602EN535-RB](#) [602HE5-RB1](#) [604HE162](#) [604HE223-6B](#) [624HE17-RB](#) [6HM82](#) [6HM89](#) [6SE1](#)  
[6SX1-H58](#) [70500216](#) [70599106](#) [MBD5B1](#) [MBH2731](#) [73-316-0012](#) [EXD-AR20](#) [79211923](#) [79218589](#) [7AS12](#)  
[MIL30126AB6BBMD4A12XAU](#) [ML-1155](#) [ML-1376](#) [831010C3.0](#) [831090C2.EL](#) [83131904](#) [84212012](#) [8AS239](#) [8HM73-3](#) [8SX26-H33](#)  
[914CE1-6G](#) [PL-100](#) [11SM1077-H4](#) [11SM1077-H58](#) [11SM1-TN107](#) [11SM405](#) [11SM8423-H2](#) [11SX37-T](#) [11SX48-H58](#) [11SM2442-T](#)  
[11SM76-T](#) [11SM77-H58](#) [11SM77-T](#) [11SM863-T](#) [11SM866](#) [A7CN-1M-1-LEFT](#) [A831700C7.0](#) [121EN188-R](#) [1245.0120](#)