

V5 Sealed Standard Part number made to order



- IP 67/IP 69K protection
- Long overtravel 2 mm
- Multidirectional actuation at angles up to 45°
- Rating from 1 mA/5 VDC to 4 A/250 V AC
- Operating temperature -40 °C to +90 °C

Part numbers

	Type	Function	Connections / Locating pins
83200004	Standard	I (SPDT)	X1L/none

Specifications

Electrical characteristics

Rating nominal 250 VAC (A)	4
Operating range / 4 →14 VDC/AC (A)	-
Rating thermal (A)	5

Mechanical characteristics

Maximum operating force (N)	1,5
Min. Release force (N)	0,2
Maximum total travel force (N)	2,5
Max. permitted overtravel force (N)	10
Maximum rest position (mm)	11,1**
Operating position (mm)	10,5 ^{+0,2**}
Maximum differential travel (mm)	0,15
Min. overtravel (mm)	2
Ambient operating temperature (°C)	-40 →+90
Mechanical life (operations)	10 ⁶ ***
Contact gap (mm)	0,3
Weight (g) (tags version)	0,75

Comments

* Please contact us

** According to dimension X0. See Dimensions section.

*** With front-end actuation

Additional characteristics

Component

Material :

- Button : POM
- Membrane : VMQ
- Cover : PAMXD6 GF50
- Base : PA66
- Contacts : AgSnO2 (standard) or Ag (Low-current)
- Terminals : Silver-plated CuZn
- Blade : CuBe2
- Levers : Stainless steel

Electrical life

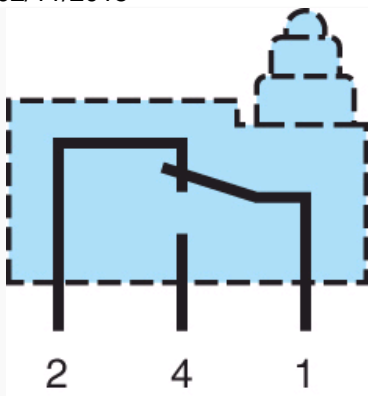
Standard :

- 250 VAC 4 A resistive > 6,000 cycles
- 14 VDC 2 A resistive 200,000 cycles
- 14 VDC 10 W lamps 100,000 cycles
- 14 VDC 0,5 A L/R = 4 ms 50,000 cycles

Low-current :

- 5 VDC 1 mA resistive 1,000,000 cycles

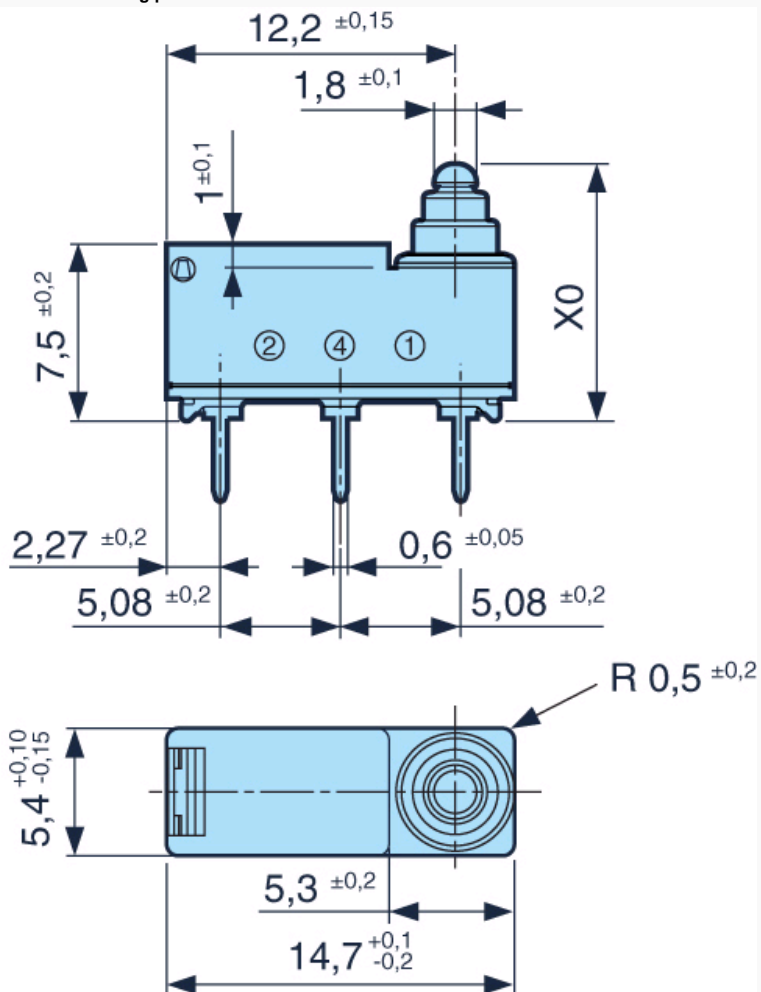
Principles



Dimensions (mm)

Product

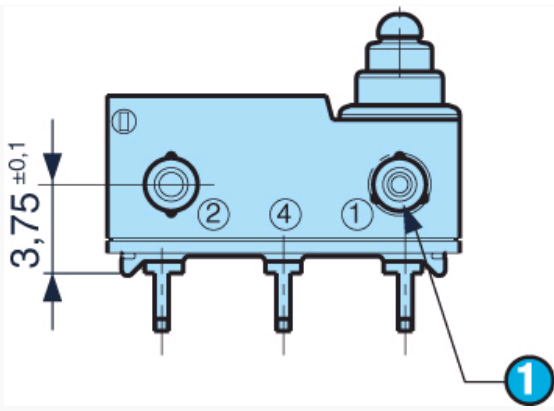
Version without locating pins



Dimensions (mm)

Product

Version with locating ribs

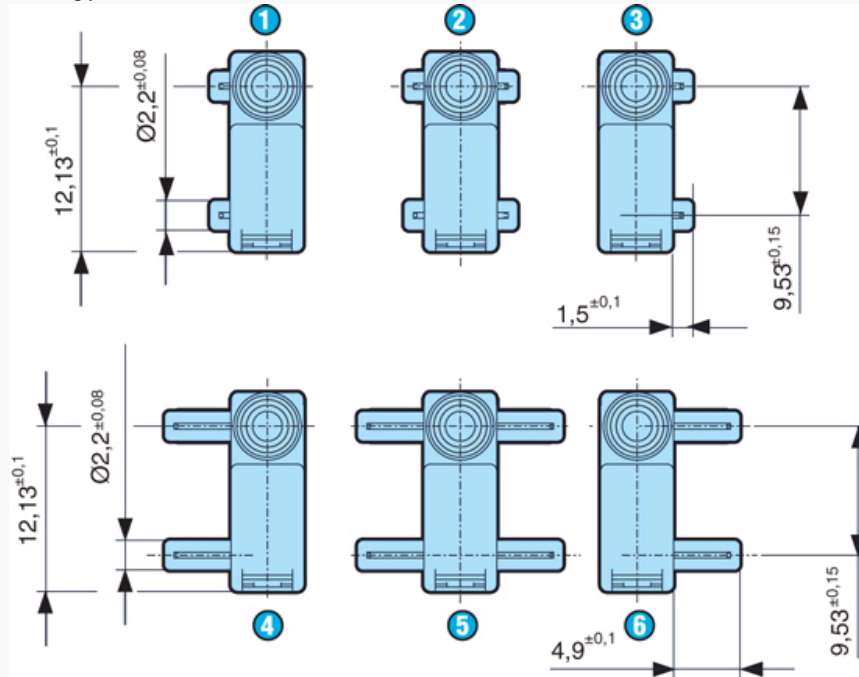


N°	Legend
1	Ø 2.6 ±0.1 on studs

Dimensions (mm)

Product

Locating pins

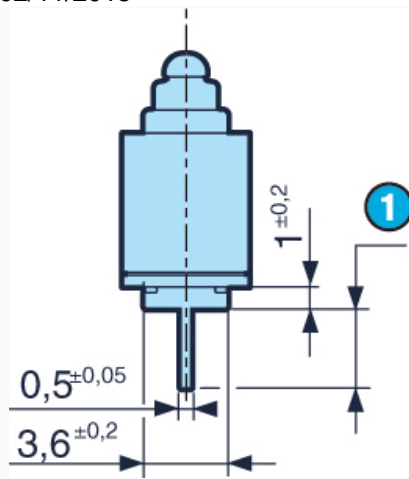


N°	Legend
1	2 short pins at rear (CAR)
2	4 short pins (4C)
3	2 short pins at front (CAV)
4	2 long pins at rear (LAR)
5	4 long pins (4L)
6	2 long pins at front (LAV)

Dimensions (mm)

Connections

X1-X1L

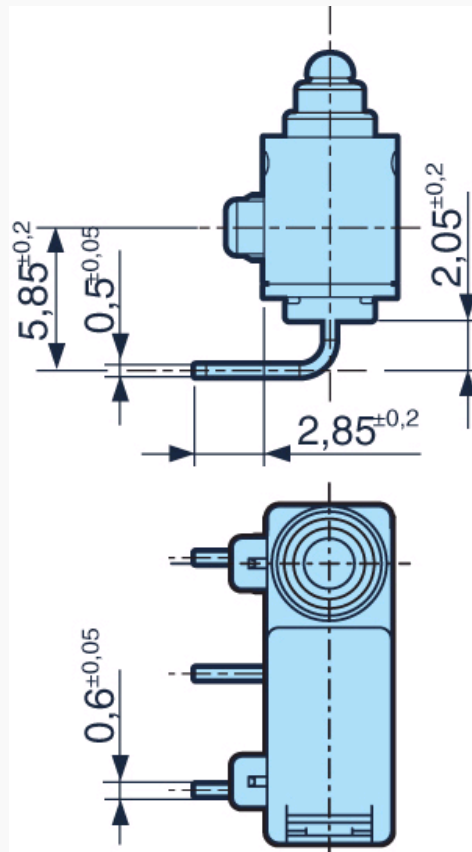


N°	Legend
①	X1 = $3,5 \pm 0,2$ X1L = $7 \pm 0,2$

Dimensions (mm)

Connections

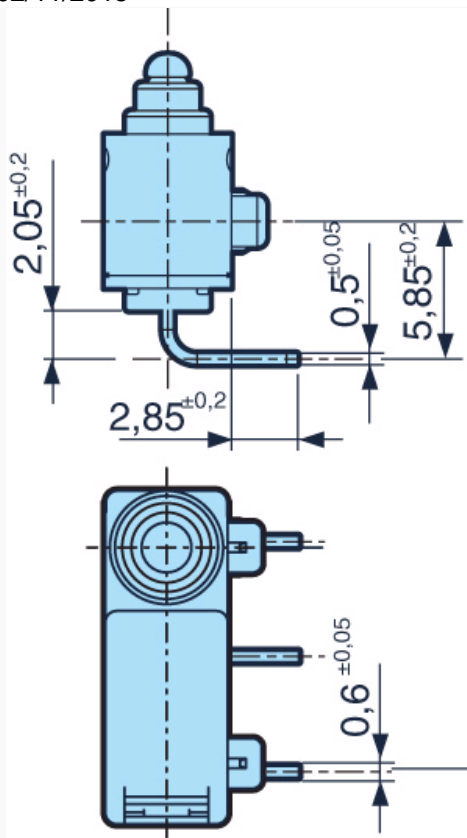
X2



Dimensions (mm)

Connections

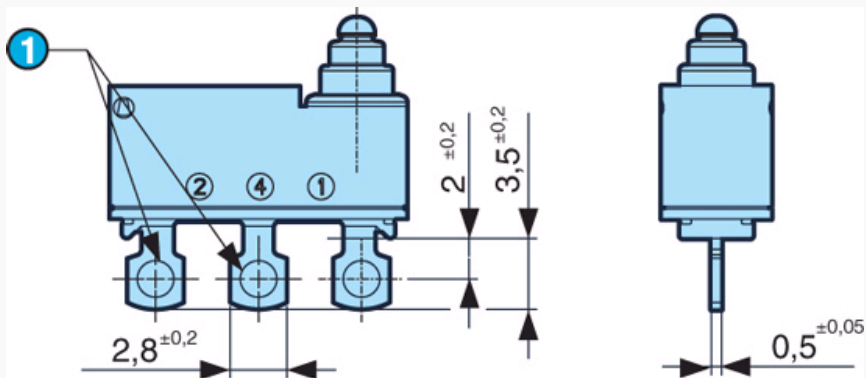
X3



Dimensions (mm)

Connections

W2 - W2ST

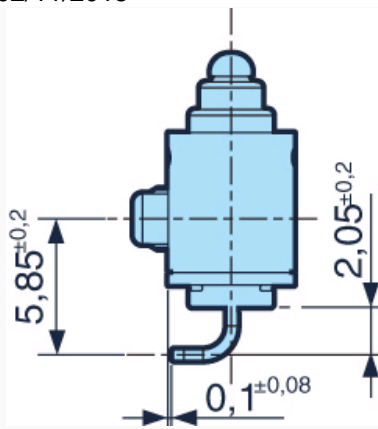


N°	Legend
①	With holes : W2 \varnothing 1.8 ± 0.1
	Without holes : W2ST

Dimensions (mm)

Connections

CMS2

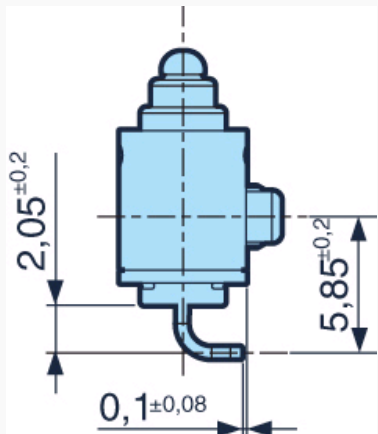


Please consult Crouzet

Dimensions (mm)

Connections

CMS3

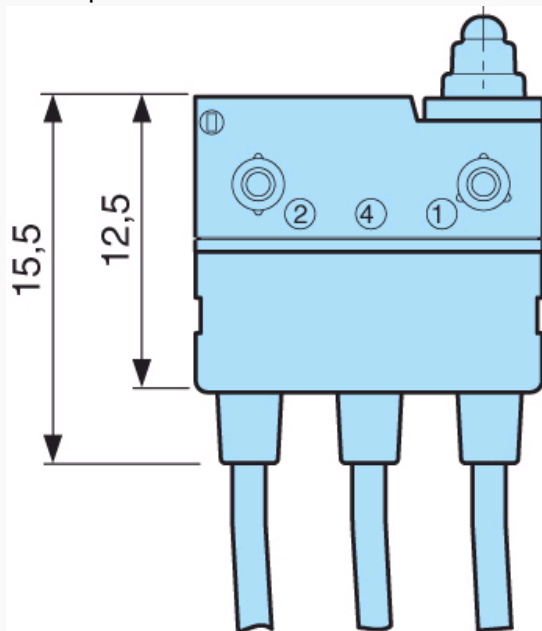


Please contact us

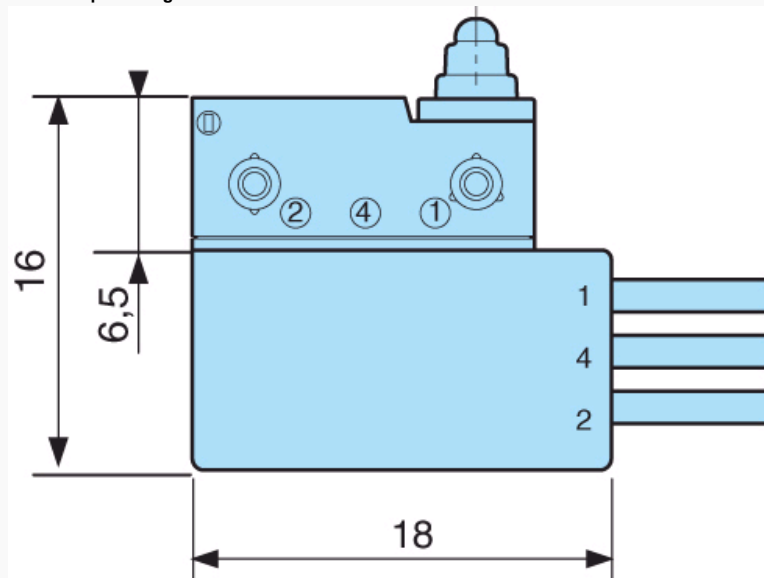
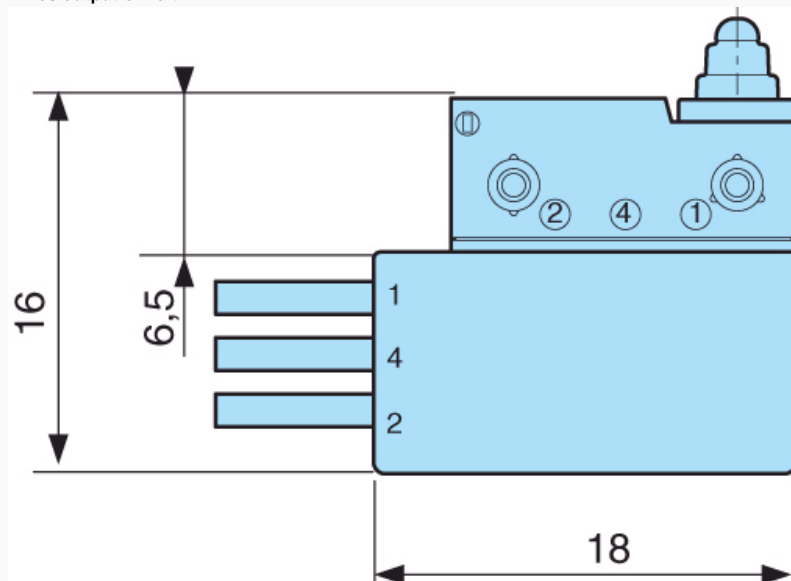
Dimensions (mm)

Connections

Wires output on bottom

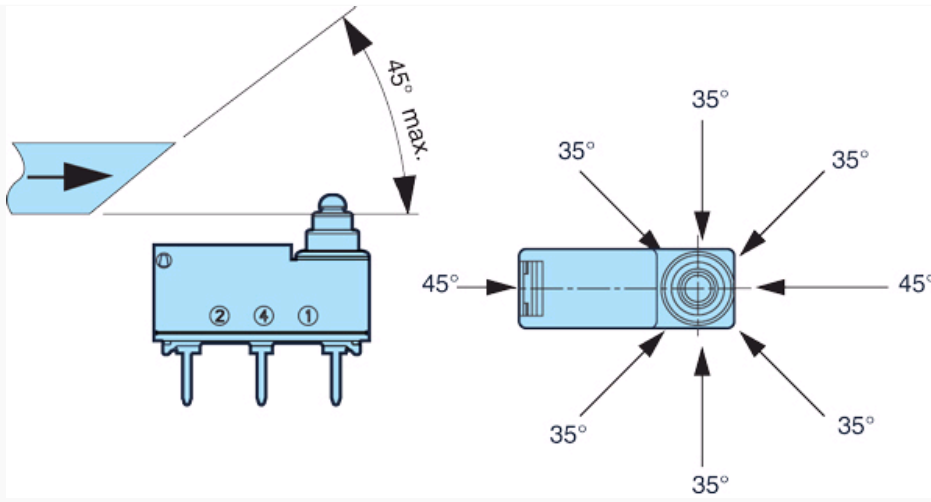


Wires characteristics 1 : Black 2 : Grey 4 : Blue Cross-section : $0,35 \text{ mm}^2$ Standard length : 500 mm PVC insulation

Dimensions (mm)**Connections****Wires output on right**Black : 1 Grey : 2 Blue : 4 Cross-section : 0.35 mm² Standard length : 500 mm PVC insulation**Dimensions (mm)****Connections****Wires output on left**Black : 1 Grey : 2 Blue : 4 Cross-section : 0.35 mm² Standard length : 500 mm PVC insulation**Dimensions (mm)**

A traduire

Side operation

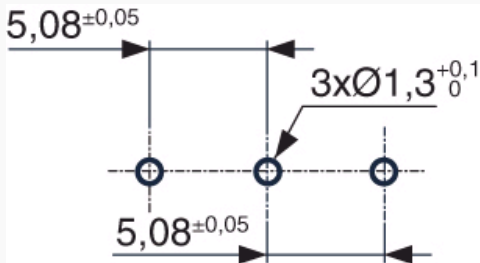


Black : 1 Grey : 2 Blue : 4 Cross-section : 0.35 mm² Standard length : 500 mm PVC insulation

Dimensions (mm)

Drilling

Installation on printed circuit board
X1-X2-X3

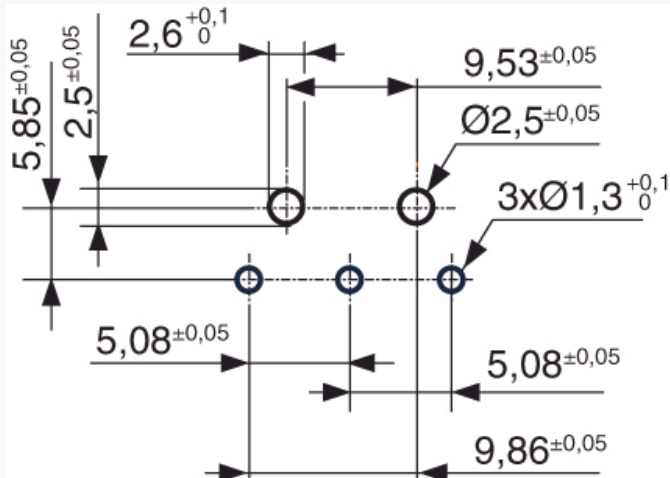


Black : 1 Grey : 2 Blue : 4 Cross-section : 0.35 mm² Standard length : 500 mm PVC insulation

Dimensions (mm)

Drilling

Installation on printed circuit board with locating pins

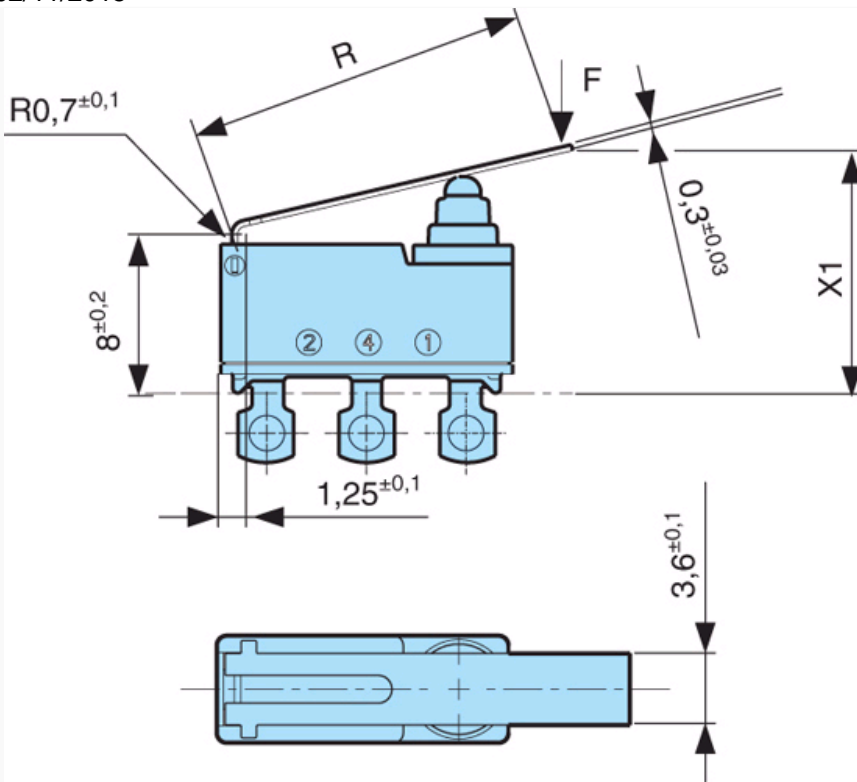


Black : 1 Grey : 2 Blue : 4 Cross-section : 0.35 mm² Standard length : 500 mm PVC insulation

Dimensions (mm)

Actuators

Flexible flat lever

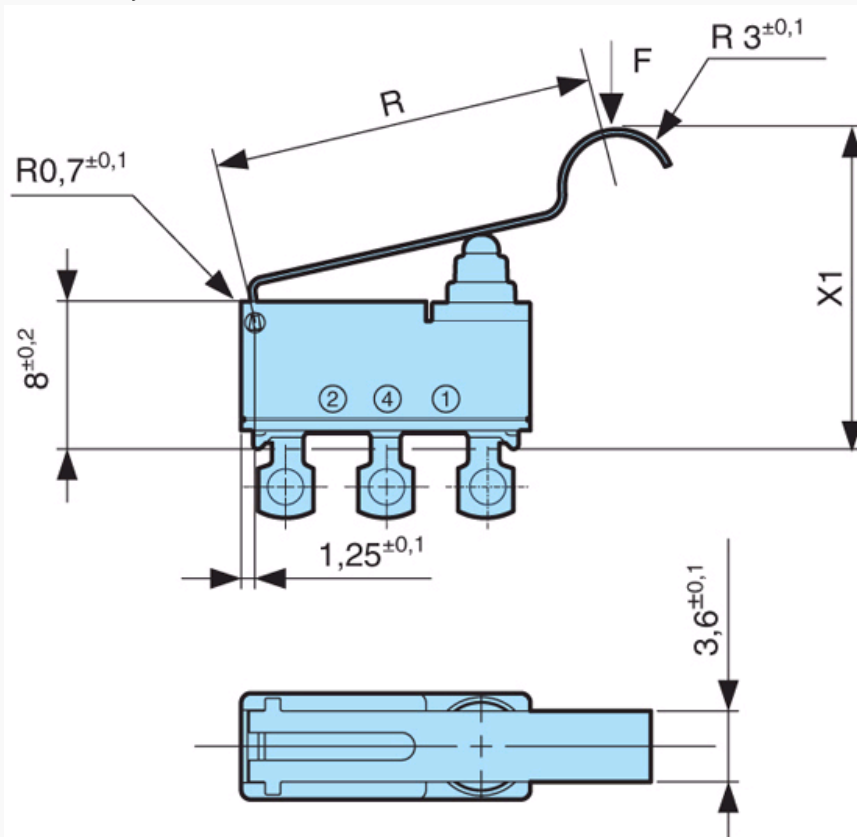


Black : 1 Grey : 2 Blue : 4 Cross-section : 0.35 mm² Standard length : 500 mm PVC insulation

Dimensions (mm)

Actuators

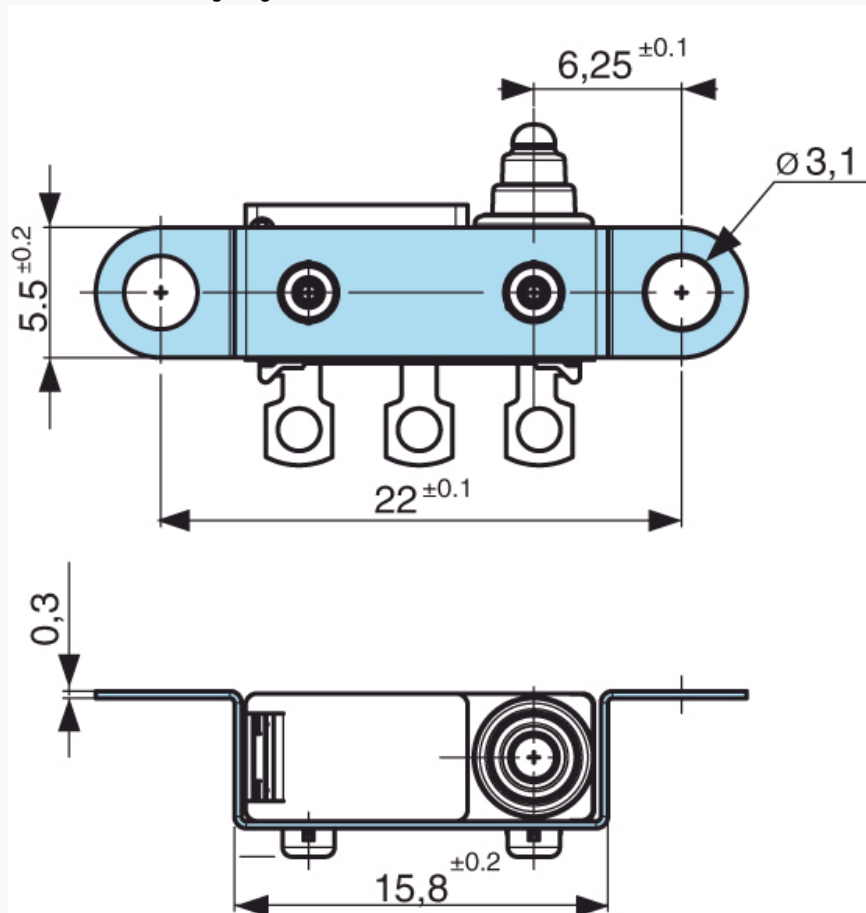
Flexible dummy roller lever



Black : 1 Grey : 2 Blue : 4 Cross-section : 0.35 mm² Standard length : 500 mm PVC insulation

Dimensions (mm)




Stainless steel mounting flange



Black : 1 Grey : 2 Blue : 4 Cross-section : 0.35 mm² Standard length : 500 mm PVC insulation

Connections

Actuators and fixing positions

Actuators				
Flexibles actuators	Flat	Flat	Dummy roller	
				
	200 AF R15	200 AF R20	200 FF R17	
Max. operating force (N)	1.5	1.3	1.5	
Min. release force (N)	0.1	0.05	0.1	
Operating position (mm)	11.4 ^{±0.1*}	12.2 ^{±0.1*}	14.75 ^{±0.1*}	

* according to dimension X1

Mounting accessories



Other information

Installation
See standard technical sales brochure

Applications



IP67 module with 45° rotary action, latching, integrated connector and quick fastening

Applications



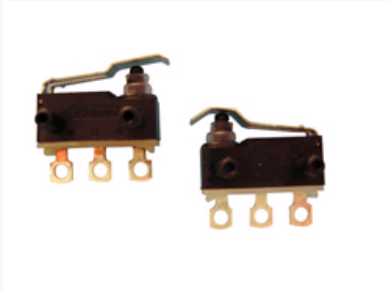
IP67 module with integrated connector and quick fastening

Applications



Printed circuit board assembly with connector

Applications



Special levers

Applications



V4 size special housing and cable output

Product adaptations



- Special connections : SMD, special leads, cables, cable harnesses
- Special levers
- Specific fixings
- Integration of resistors for specific electrical diagrams or self-diagnosis function
- Approvals : NF - UL - cUL - GOST - CCC
- Temperature 125 °C
- Reduced differential travel

X-ON Electronics

Largest Supplier of Electrical and Electronic Components

Click to view similar products for [Basic / Snap Action Switches](#) category:

Click to view products by [Crouzet](#) manufacturer:

Other Similar products are found below :

[5SM901-S12](#) [5SM9-S12N195](#) [602EN532](#) [602EN535-RB](#) [602HE5-RB1](#) [604HE162](#) [604HE223-6B](#) [624HE17-RB](#) [6HM82](#) [6HM89](#) [6SE1](#)
[6SX1-H58](#) [70500216](#) [70599106](#) [MBD5B1](#) [MBH2731](#) [73-316-0012](#) [EXD-AR20](#) [79211923](#) [79218589](#) [7AS12](#)
[MIL30126AB6BBMD4A12XAU](#) [ML-1155](#) [ML-1376](#) [831010C3.0](#) [831090C2.EL](#) [83131904](#) [84212012](#) [8AS239](#) [8HM73-3](#) [8SX26-H33](#)
[914CE1-6G](#) [PL-100](#) [11SM1077-H4](#) [11SM1077-H58](#) [11SM1-TN107](#) [11SM405](#) [11SM8423-H2](#) [11SX37-T](#) [11SX48-H58](#) [11SM2442-T](#)
[11SM76-T](#) [11SM77-H58](#) [11SM77-T](#) [11SM863-T](#) [11SM866](#) [A7CN-1M-1-LEFT](#) [A831700C7.0](#) [121EN188-R](#) [1245.0120](#)