

## V5 Sealed Low-current Part number made to order



- IP 67/IP 69K protection
- Long overtravel 2 mm
- Multidirectional actuation at angles up to 45°
- Rating from 1 mA/5 VDC to 4 A/250 V AC
- Operating temperature -40 °C to +90 °C

### Part numbers

	Type	Function	Connections / Locating pins
83201006	Low-current	I (SPDT)	X3/CAV

### Specifications

#### Electrical characteristics

Rating nominal 250 VAC (A)	-
Operating range / 4 →14 VDC/AC (A)	0,001 →0,05
Rating thermal	0,1

#### Mechanical characteristics

Maximum operating force (N)	1,5
Min. Release force (N)	0,15
Maximum total travel force (N)	2,5
Max. permitted overtravel force (N)	10
Maximum rest position (mm)	11,1**
Operating position (mm)	10,5 <sup>+0,2**</sup>
Maximum differential travel (mm)	0,2
Min. overtravel (mm)	2
Ambient operating temperature (°C)	-40 →+90
Mechanical life (operations)	10 <sup>6</sup> ***
Contact gap (mm)	0,6
Weight (g) (tags version)	0,75

### Comments

\* Please contact us

\*\* According to dimension X0. See Dimensions section.

\*\*\* With front-end actuation

### Additional characteristics

#### Component

##### Material :

- Button : POM
- Membrane : VMQ
- Cover : PAMXD6 GF50
- Base : PA66
- Contacts : AgSnO2 (standard) or Ag (Low-current)
- Terminals : Silver-plated CuZn
- Blade : CuBe2
- Levers : Stainless steel

#### Electrical life

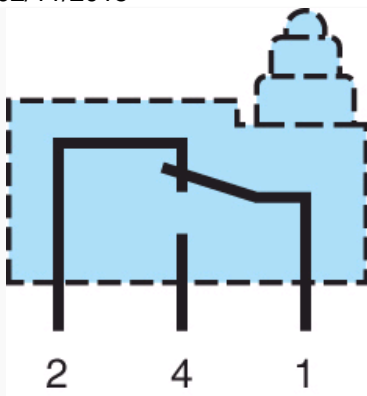
##### Standard :

- 250 VAC 4 A resistive > 6,000 cycles
- 14 VDC 2 A resistive 200,000 cycles
- 14 VDC 10 W lamps 100,000 cycles
- 14 VDC 0,5 A L/R = 4 ms 50,000 cycles

##### Low-current :

- 5 VDC 1 mA resistive 1,000,000 cycles

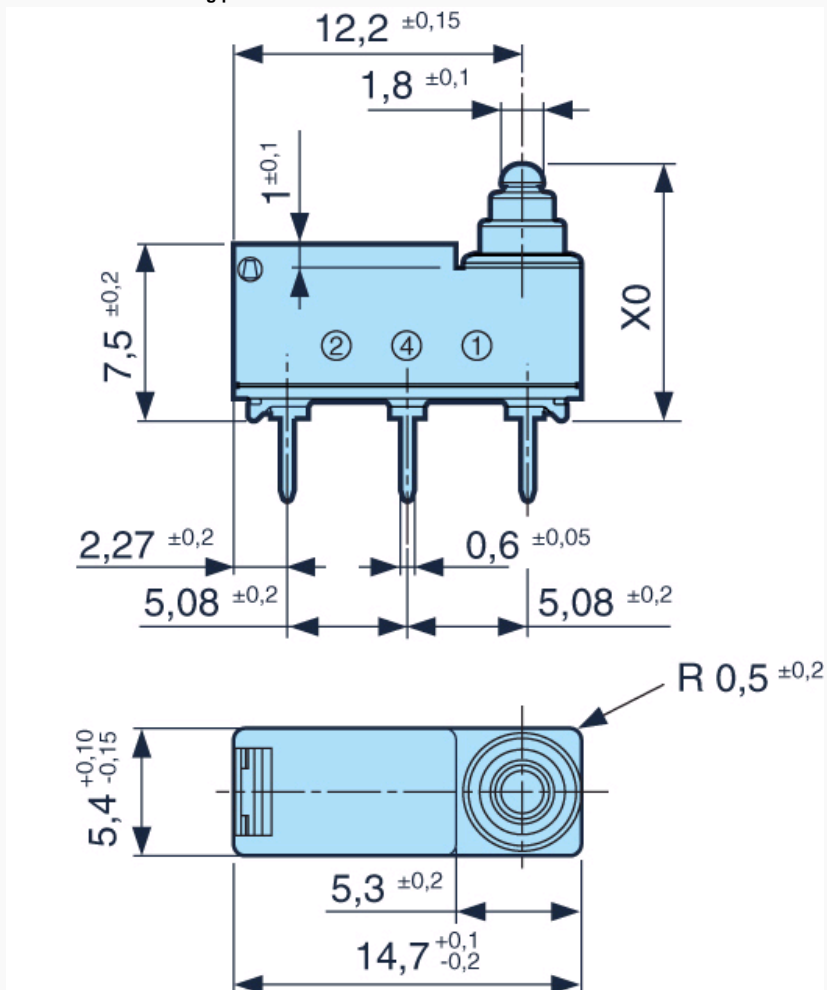
### Principles



### Dimensions (mm)

#### Product

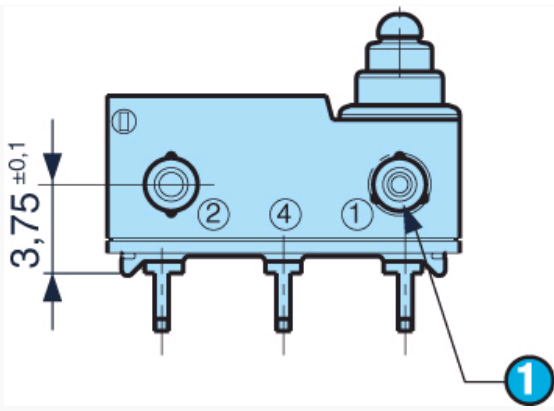
#### Version without locating pins



### Dimensions (mm)

#### Product

#### Version with locating ribs

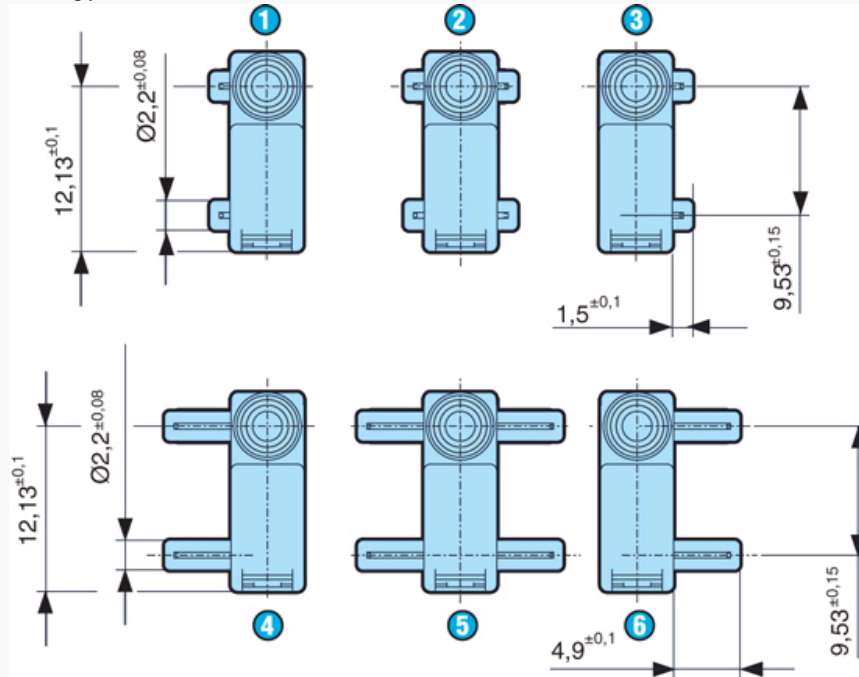


N°	Legend
1	Ø 2.6 ±0.1 on studs

### Dimensions (mm)

#### Product

#### Locating pins

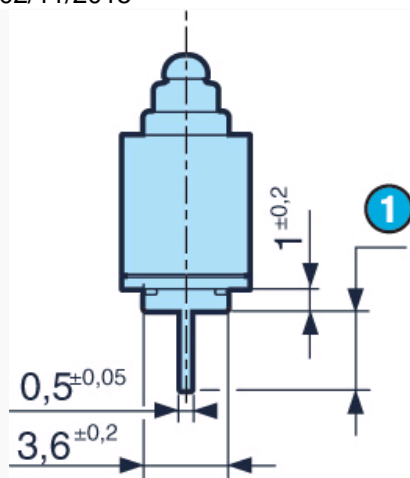


N°	Legend
1	2 short pins at rear (CAR)
2	4 short pins (4C)
3	2 short pins at front (CAV)
4	2 long pins at rear (LAR)
5	4 long pins (4L)
6	2 long pins at front (LAV)

### Dimensions (mm)

#### Connections

X1-X1L

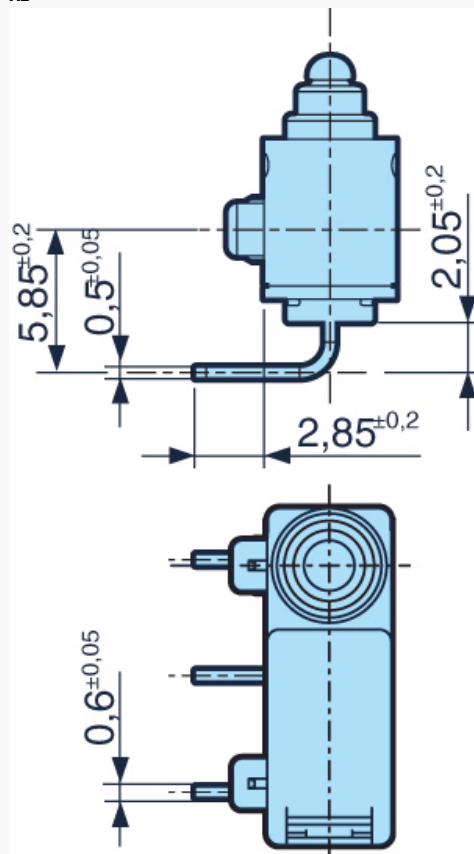


N°	Legend
①	X1 = $3.5 \pm 0.2$ X1L = $7 \pm 0.2$

#### Dimensions (mm)

#### Connections

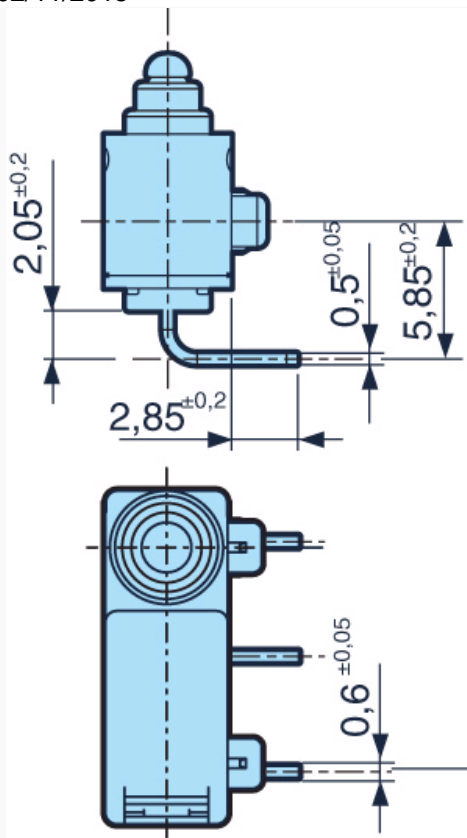
X2



#### Dimensions (mm)

#### Connections

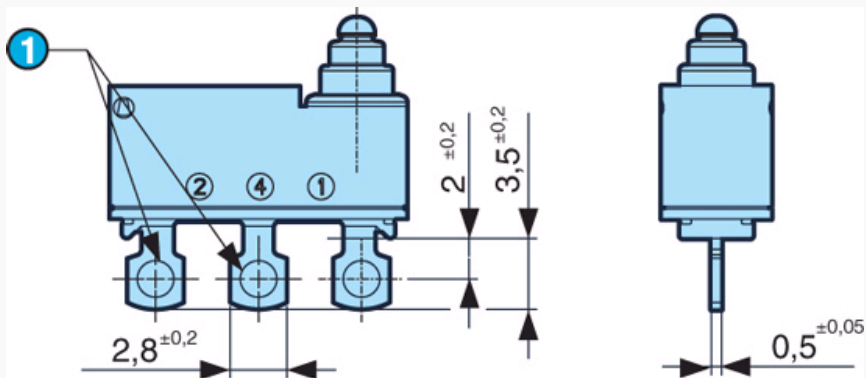
X3



#### Dimensions (mm)

#### Connections

#### W2 - W2ST

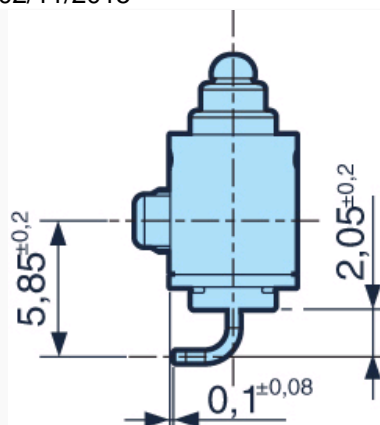


N°	Legend
①	With holes : W2 $\varnothing$ 1.8 ± 0.1
	Without holes : W2ST

#### Dimensions (mm)

#### Connections

#### CMS2

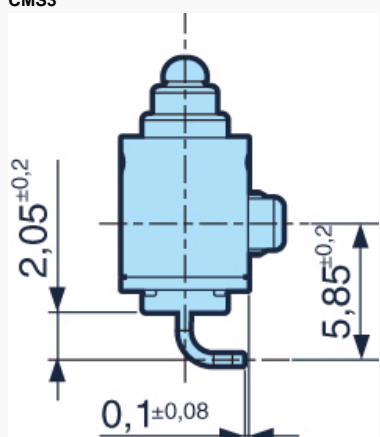


Please consult Crouzet

#### Dimensions (mm)

#### Connections

CMS3

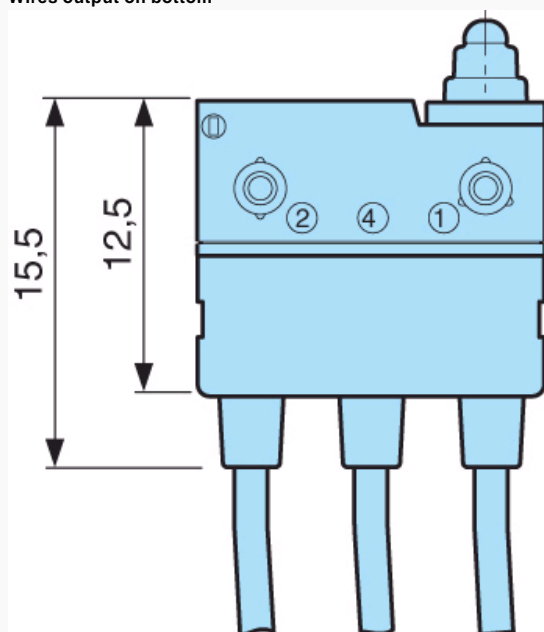


Please contact us

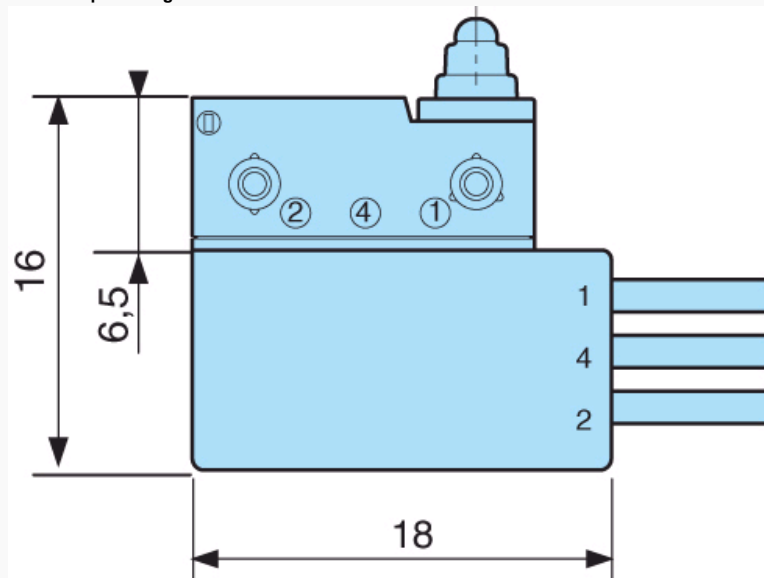
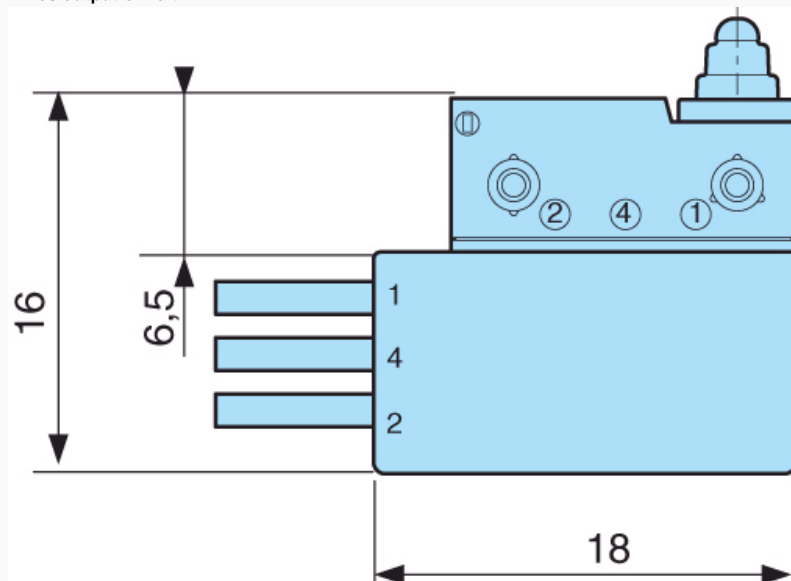
#### Dimensions (mm)

#### Connections

Wires output on bottom

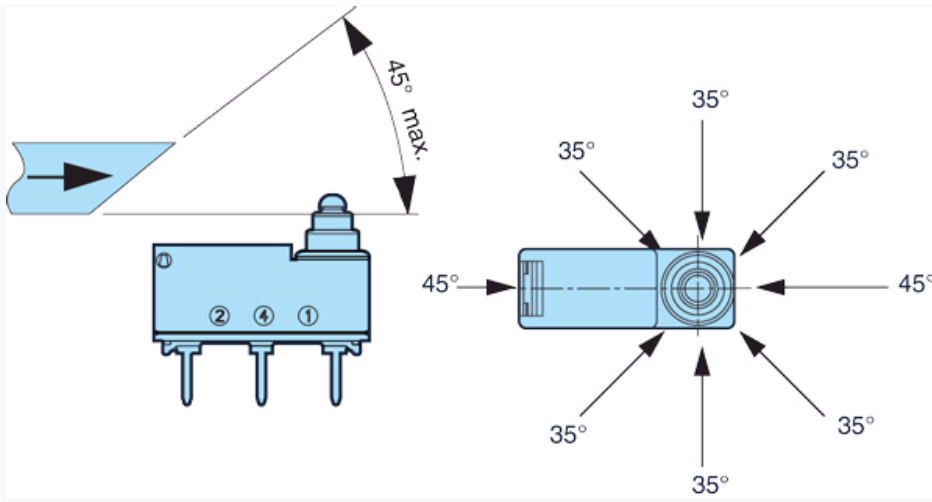


Wires characteristics 1 : Black 2 : Grey 4 : Blue Cross-section : 0.35 mm<sup>2</sup> Standard length : 500 mm PVC insulation

**Dimensions (mm)****Connections****Wires output on right**Black : 1 Grey : 2 Blue : 4 Cross-section : 0.35 mm<sup>2</sup> Standard length : 500 mm PVC insulation**Dimensions (mm)****Connections****Wires output on left**Black : 1 Grey : 2 Blue : 4 Cross-section : 0.35 mm<sup>2</sup> Standard length : 500 mm PVC insulation**Dimensions (mm)**

\*A traduire\*

**Side operation**

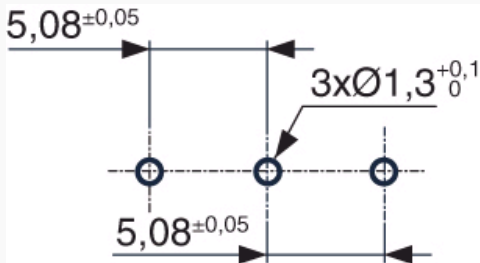


Black : 1 Grey : 2 Blue : 4 Cross-section : 0.35 mm<sup>2</sup> Standard length : 500 mm PVC insulation

**Dimensions (mm)**

**Drilling**

Installation on printed circuit board  
X1-X2-X3

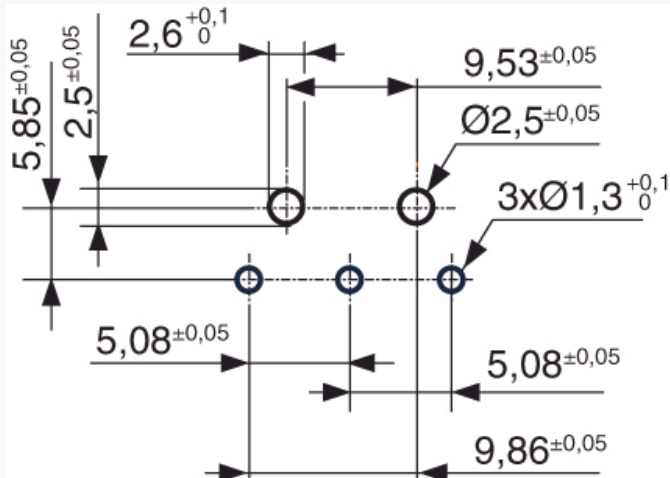


Black : 1 Grey : 2 Blue : 4 Cross-section : 0.35 mm<sup>2</sup> Standard length : 500 mm PVC insulation

**Dimensions (mm)**

**Drilling**

Installation on printed circuit board with locating pins



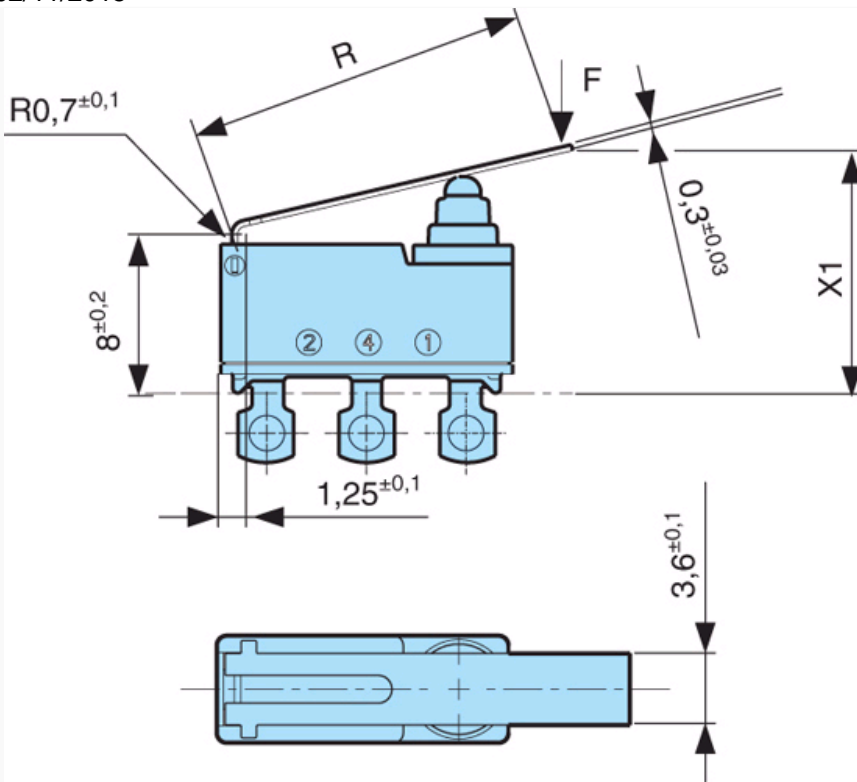
Black : 1 Grey : 2 Blue : 4 Cross-section : 0.35 mm<sup>2</sup> Standard length : 500 mm PVC insulation

**Dimensions (mm)**

**Actuators**

Hinged flat lever



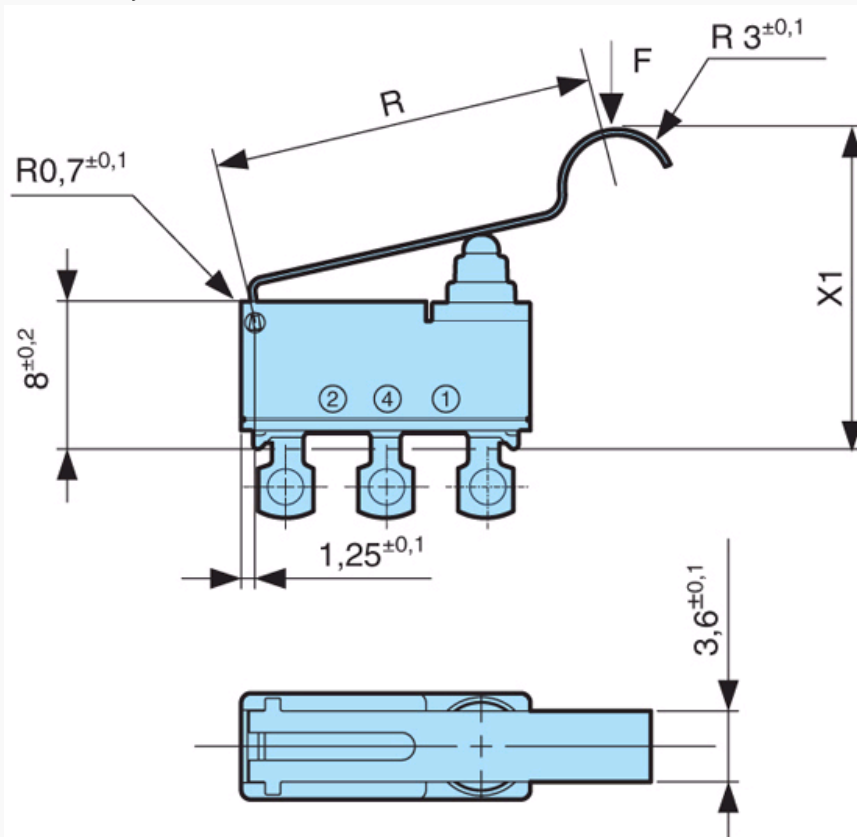


Black : 1 Grey : 2 Blue : 4 Cross-section : 0.35 mm<sup>2</sup> Standard length : 500 mm PVC insulation

#### Dimensions (mm)

#### Actuators

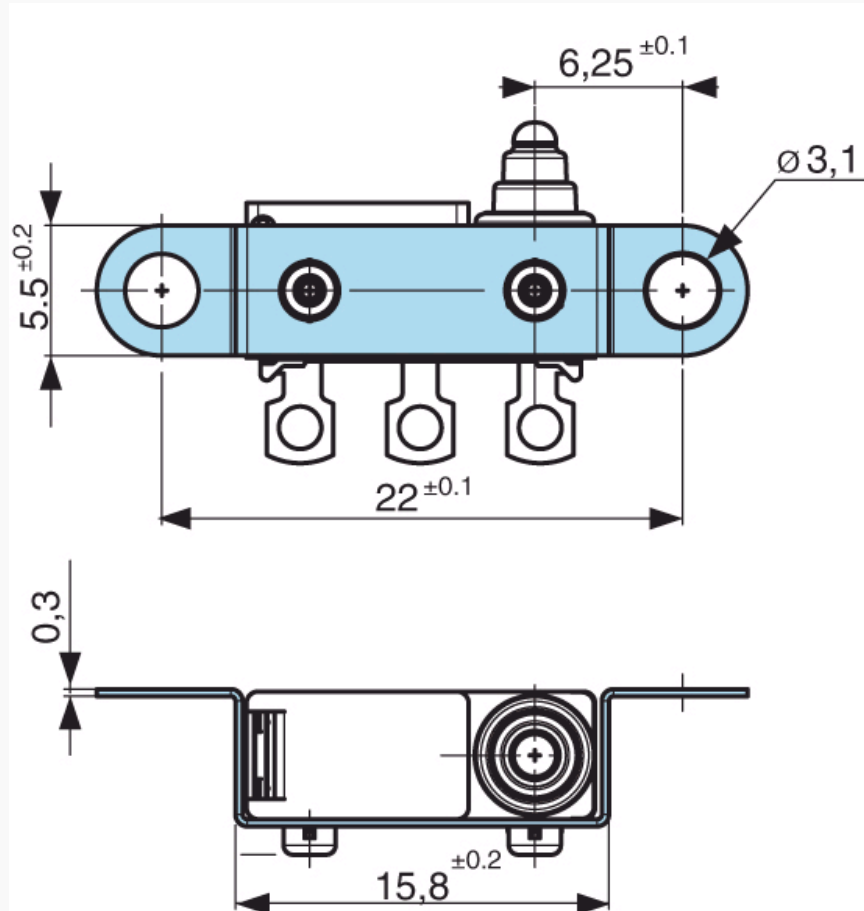
#### Flexible dummy roller lever



Black : 1 Grey : 2 Blue : 4 Cross-section : 0.35 mm<sup>2</sup> Standard length : 500 mm PVC insulation

#### Dimensions (mm)





## Stainless steel fixing plate



Black : 1 Grey : 2 Blue : 4 Cross-section : 0.35 mm<sup>2</sup> Standard length : 500 mm PVC insulation

## Connections

## Actuators and fixing positions

Actuators				
Flexibles actuators	Flat	Flat	Dummy roller	
				
	<b>200 AF R15</b>	<b>200 AF R20</b>	<b>200 FF R17</b>	
Max. operating force (N)	1.5	1.3	1.5	
Min. release force (N)	0.1	0.05	0.1	
Operating position (mm)	11.4 <sup>±0.1*</sup>	12.2 <sup>±0.1*</sup>	14.75 <sup>±0.1*</sup>	
* according to dimension X1				
Mounting accessories				
Stainless steel mounting flange				

## Other information

Installation  
See standard technical sales brochure

## Applications



IP67 module with 45° rotary action, latching, integrated connector and quick fastening

Applications



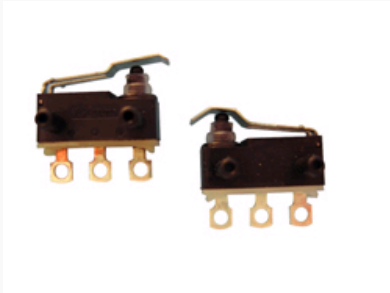
IP67 module with integrated connector and quick fastening

Applications



Printed circuit board assembly with connector

Applications



Special levers

Applications



V4 size special housing and cable output

#### Product adaptations



- Special connections : SMD, special leads, cables, cable harnesses
- Special levers
- Specific fixings
- Integration of resistors for specific electrical diagrams or self-diagnosis function
- Approvals : NF - UL - cUL - GOST - CCC
- Temperature 125 °C
- Reduced differential travel

## X-ON Electronics

Largest Supplier of Electrical and Electronic Components

*Click to view similar products for [Basic / Snap Action Switches](#) category:*

*Click to view products by [Crouzet](#) manufacturer:*

Other Similar products are found below :

[5SM901-S12](#) [5SM9-S12N195](#) [602EN532](#) [602EN535-RB](#) [602HE5-RB1](#) [604HE162](#) [604HE223-6B](#) [624HE17-RB](#) [6HM82](#) [6HM89](#) [6SE1](#)  
[6SX1-H58](#) [70500216](#) [70599106](#) [MBD5B1](#) [MBH2731](#) [73-316-0012](#) [EXD-AR20](#) [79211923](#) [79218589](#) [7AS12](#)  
[MIL30126AB6BBMD4A12XAU](#) [ML-1155](#) [ML-1376](#) [831010C3.0](#) [831090C2.EL](#) [83131904](#) [84212012](#) [8AS239](#) [8HM73-3](#) [8SX26-H33](#)  
[914CE1-6G](#) [PL-100](#) [11SM1077-H4](#) [11SM1077-H58](#) [11SM1-TN107](#) [11SM405](#) [11SM8423-H2](#) [11SX37-T](#) [11SX48-H58](#) [11SM2442-T](#)  
[11SM76-T](#) [11SM77-H58](#) [11SM77-T](#) [11SM863-T](#) [11SM866](#) [A7CN-1M-1-LEFT](#) [A831700C7.0](#) [121EN188-R](#) [1245.0120](#)