

83581 Plunger with axial roller Part number 835811



- Compact dimensions
- Contact element : IP67

Part numbers

	Type	Features	Function
83581 1	Plunger with axial roller	Standard	I (Changeover)

Specifications

Conformity to standards	NFC 20030 class II
Degree of protection IEC 60529	Outer casing : IP57 Contact element : IP67

Electrical characteristics

Assigned operating current (Ie)	Standard : 8 A - 250 VAC Bi-niveau : 0,1 A - 250 VAC
Electrical endurance - Standard (operations)	8 A - 250 VAC : 40000 5 A - 250 VAC : 100000
Electrical endurance - Dual-current	This version is designed to operate both on dual-current (1 mA 4 V minimum) and medium-current (5A) circuits. However, a given product should only be used to switch one type of circuit during its working life.

Connections

Connection	Flexible leads : PVC 3x1 mm ² - Length 0.50 m - ext. Ø 2 mm (on the right or left) Cable : 3x0.75 mm ² - Length 0.50 m - ext. Ø 5 mm (on left only)
------------	--

Mechanical characteristics

Minimum operating force (N)	5
Minimum total travel force (N)	20
Differential travel (mm)	1
Minimum operating travel mm	2.5
Maximum total travel (mm)	5
Mechanical life (operations)	10 ⁵
Operating temperature (°C)	-20 → +85
Weight (g)	45

Connections

Wire output on right	D
Wire output on left	G
Cable output	C

Principles



Function

Single break two-way contact element (form C : changeover)

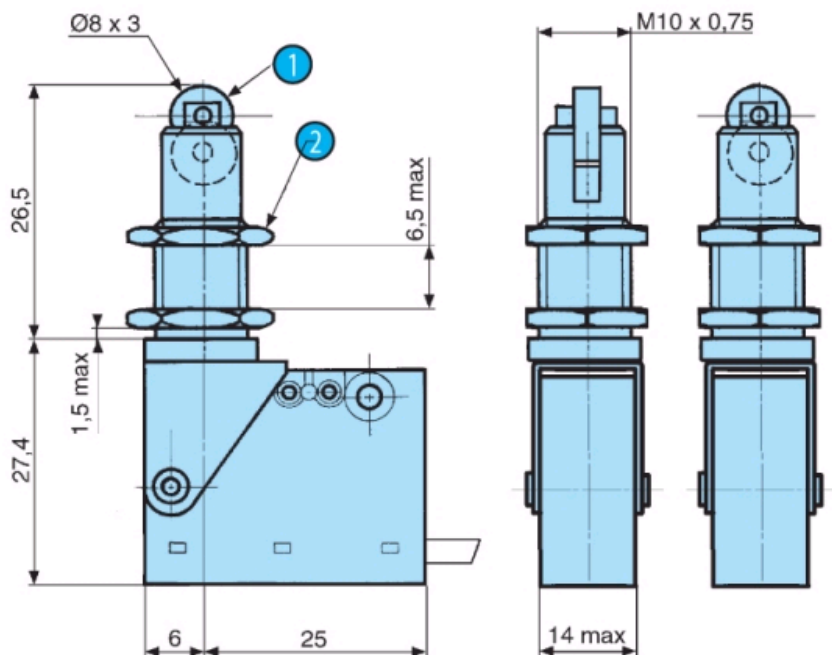
N°	Legend
----	--------

①	Black (common)
②	Brown (NC)
④	Blue (NO)

Dimensions (mm)

Product

83 581 1 / 83 581 9



N°	Legend
①	Roller is straight (standard) or at 90°
②	Nut 14 across flats Thickness 2

Product adaptations



- Length of cable/connector
- Approvals

X-ON Electronics

Largest Supplier of Electrical and Electronic Components

Click to view similar products for [Limit Switches](#) category:

Click to view products by [Crouzet](#) manufacturer:

Other Similar products are found below :

[5ML1-E1](#) [5ML31](#) [LZG1](#) [LZL1-6C](#) [622EN114-R](#) [622EN18-6](#) [622EN224-6B](#) [622EN230](#) [622EN237-R](#) [622EN69-3](#) [622EN85-RB](#) [MA-10019](#)
[6PA109](#) [7LS51](#) [83547001](#) [83725002](#) [83830001](#) [83840701](#) [83841001](#) [83881140](#) [8AS42](#) [8LS10](#) [8LS125-4PG](#) [8LS152-4PGN20](#) [914CE16-](#)
[3A](#) [914CE3-3L1](#) [915PA10](#) [91MCE16-P2O](#) [924CE16-Y3](#) [924CE1-S6](#) [924CE1-T25A](#) [924CE1-T3](#) [924CE1-T9A](#) [924CE2-T9](#) [924CE31-Y20-](#)
[X5](#) [924CE31-Y3L1](#) [GL-10054](#) [GLDB03C-6](#) [GLDC05C](#) [GLZ324](#) [H3141CAKAA](#) [RDI-G-L5B](#) [DD-10000](#) [DT-2R3-A7](#) [14CE16-3N28](#)
[14CE18-N15](#) [151ML3-E1](#) [E3102BAAAA](#) [BFL1-AW1-S](#) [1EN329-R](#)