

83870 with low level cable or connector output Steel metal roller lever (2 directions of attack) Part number 83873301


- IP 66/67
- Metal case
- UL approval
- Reduced differential travel
- Reduced pre-travel (83 873 only)

Part numbers

	Type	Characteristics	Type of output
83 873 301	Steel metal roller lever (2 directions of attack)	Standard	Cable 1 m long

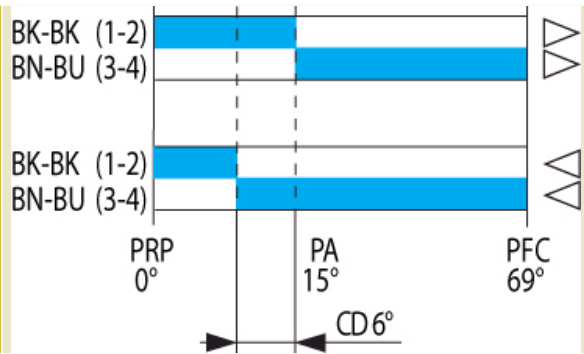
Specifications

Conformity to standards	
Protection against electric shocks	
Degree of protection IEC 60529	
Degree of protection according to NEMA 250	

Electrical characteristics

Connection	
Operating temperature (°C)	-25 → +70 °C
Assigned impulse voltage (Uimp) - V	2500
Assigned insulation voltage Ui (V)	250
Operating voltage	4 to 30 V
Operating current	1 to 100 mA
Resistance (Ω)	≤ 100 mΩ
Electrical protection	Integral earth wire Short-circuit protection device : IEC/EN 60947-5-1 Fuse 6 AgG
Approvals	UL 508, 30 VAC/DC : 0,14

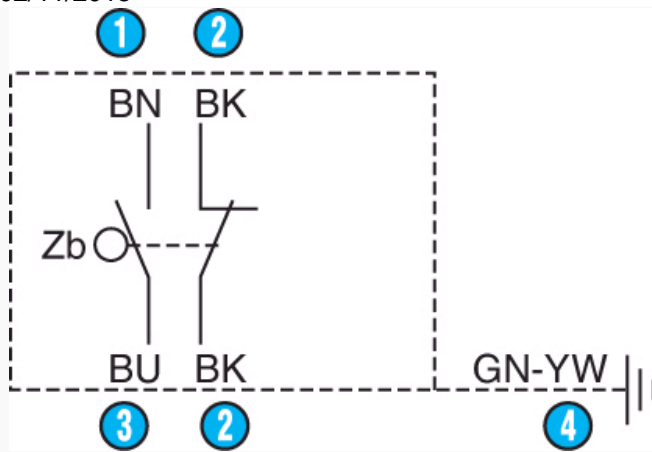
Mechanical characteristics

Sequence Snap action	
Minimum operating force (Nm)	15
Minimum total travel force (cmN)	35
Min. positive opening travel (N)	15
Mechanical life (millions of operations)	10
Vertical approach speed	-
Horizontal approach speed (30° cam)	1 mm/min → 1,5 m/s
Weight (g)	210

Comments

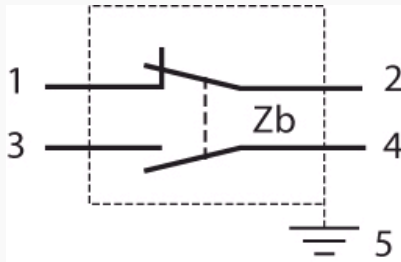
Cable : BK-BK/BN-BU
 Connector : (1-2) / (3-4)

Principles

**Function**

Four-terminal double break two-way contact element (form Zb). The 2 moving contacts are electrically isolated from one another.

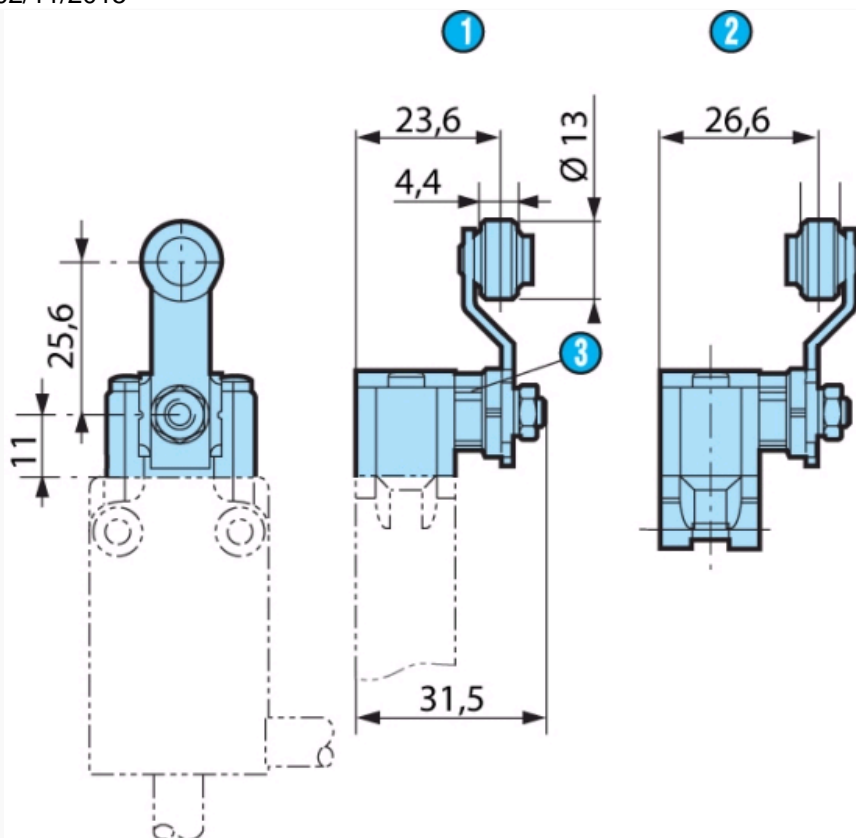
N°	Legend
①	Brown
②	Black
③	Blue
④	Green-yellow

Principles**Function**

Four-terminal double break two-way contact element (form Zb). The 2 moving contacts are electrically isolated from one another.

Dimensions (mm)**Product**

83 873 3



83 873 0

N°	Legend
①	Offset A
②	Offset B

Other information

For other accessories and special contacts, or special modes of operation : please consult us.

Product adaptations



- Contact type
- Rear output
- Protective scraper seal
- Length of cable/connector/stripping

X-ON Electronics

Largest Supplier of Electrical and Electronic Components

Click to view similar products for [Limit Switches](#) category:

Click to view products by [Crouzet](#) manufacturer:

Other Similar products are found below :

[5ML1-E1](#) [5ML31](#) [LZG1](#) [LZL1-6C](#) [622EN114-R](#) [622EN18-6](#) [622EN224-6B](#) [622EN230](#) [622EN237-R](#) [622EN69-3](#) [622EN85-RB](#) [MA-10019](#)
[6PA109](#) [7LS51](#) [83547001](#) [83725002](#) [83830001](#) [83840701](#) [83841001](#) [83881140](#) [8AS42](#) [8LS10](#) [8LS125-4PG](#) [8LS152-4PGN20](#) [914CE16-](#)
[3A](#) [914CE3-3L1](#) [915PA10](#) [91MCE16-P2O](#) [924CE16-Y3](#) [924CE1-S6](#) [924CE1-T25A](#) [924CE1-T3](#) [924CE1-T9A](#) [924CE2-T9](#) [924CE31-Y20-](#)
[X5](#) [924CE31-Y3L1](#) [GL-10054](#) [GLDB03C-6](#) [GLDC05C](#) [GLZ324](#) [H3141CAKAA](#) [RDI-G-L5B](#) [DD-10000](#) [DT-2R3-A7](#) [14CE16-3N28](#)
[14CE18-N15](#) [151ML3-E1](#) [E3102BAAAA](#) [BFL1-AW1-S](#) [1EN329-R](#)