



EWS / EWS2 phase sequence and loss of phase EWS2 Part number 84873004



- Space savings, accurate measurement and optimized functions all improve the efficiency of your electrical installation.
- Control : You simply install your EWS phase control relay and without any adjustment you can monitor the loss or inversion of one of the phases.
- Safety : The EWS range enables you to choose the level of safety for your installation by using versions with 1, 2 or 3 output changeovers.
- Self-powered : Simple to install, EWS control relays use the controlled mains supply for their own power supply voltage.

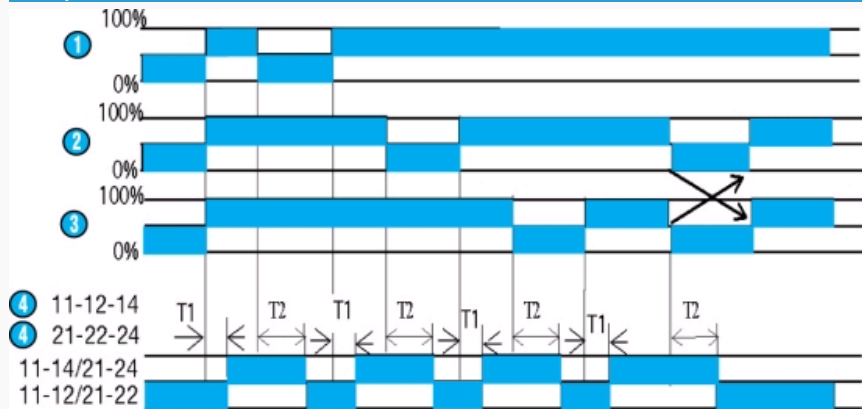
Part numbers

Type	Output relay
84873004 EWS2	2 changeovers

Specifications

Operating range	200 →500 VAC
Operating range	3 AC 230...440 V
Frequency	50 / 60 Hz +/- 1 Hz
Maximum consumption	25 VA
Output relay	1 or 2 changeovers
Type of contacts	No cadmium
Nominal rating	8 A
Maximum breaking voltage	250 V AC
Max. voltage	440 V AC
Nominal breaking capacity	2000 VA
Min. breaking current	10 mA / 5 V
Electrical life (number of operations)	AC 12 : 10 ⁵ at 8A/250 VAC
Maximum rate (at full load)	360 operations / hour
Mechanical life (operations)	2 x 10 ⁷
Pick-up delay T1	200 ms
Turn-off delay T2	300 ms in the event of phase failure
Connection capacity - without ferrule	2 x 2,5 mm ² 1 x 4 mm ²
Connection capacity - with ferrule	2 x 1,5 mm ²
Max. tightening torque	1 Nm (screw M3 / IEC/EN 60947-1)
Operating temperature range (°C)	-20 →+50
Storage temperature (°C)	-30 →+70
Housing material	Self-extinguishing
Protection (IEC/EN 60529) - Casing	IP40
Protection (IEC/EN 60529) - Term. block	IP20
Dielectric strength (IEC/EN 60255-5)	2,5 KV / 1 mn / 1 mA / 50 Hz
Insulation coordination (IEC/EN 60664-1)	Overvoltage category III, degree of pollution 3
Weight (g)	110

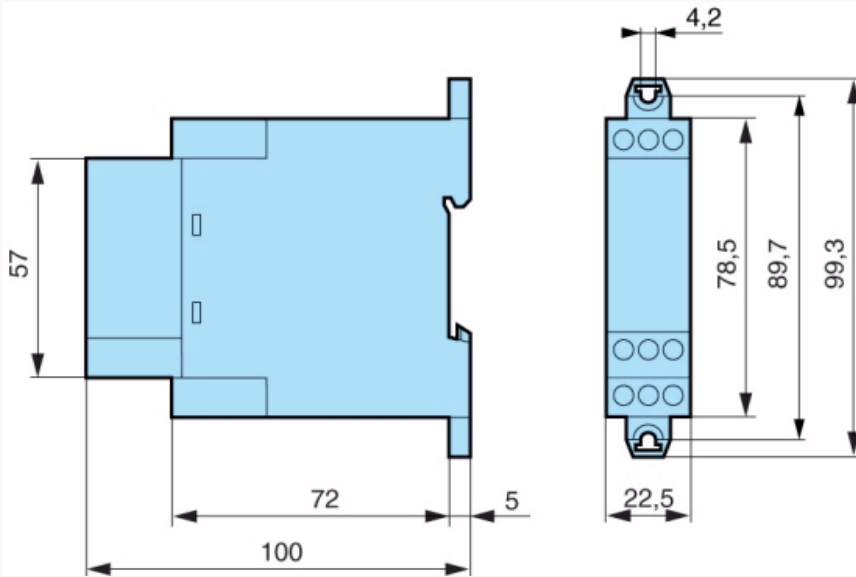
Principles



N°	Legend
①	Phase L1
②	Phase L2
③	Phase L3
④	Relay

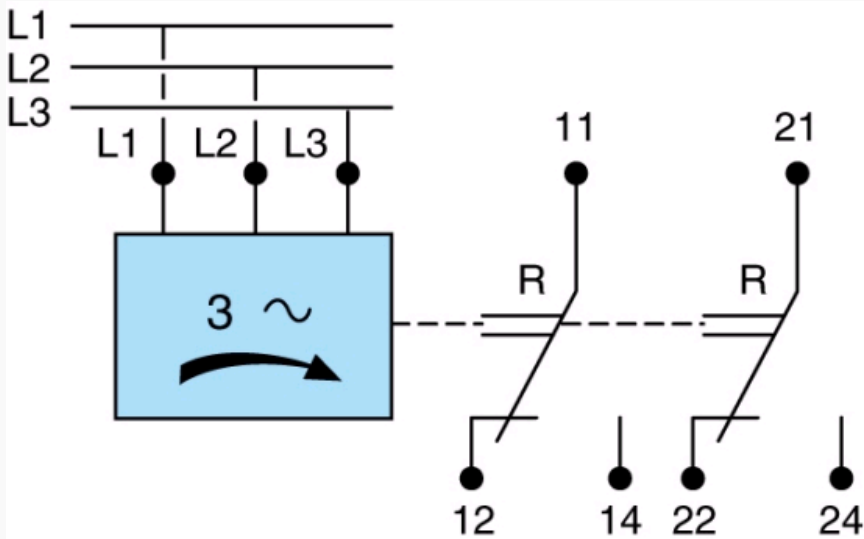
Dimensions (mm)

EWS / EWS2



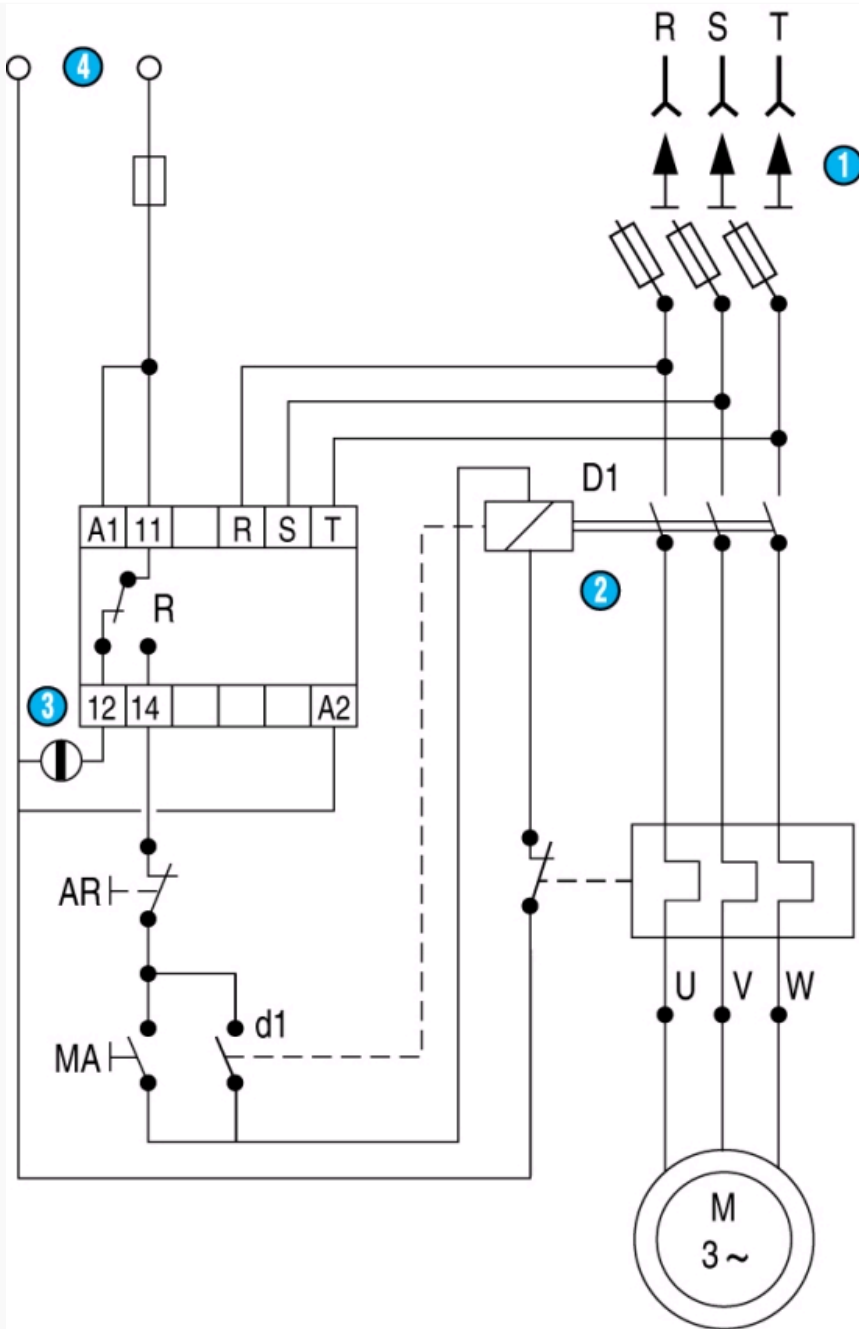
Connections

EWS2



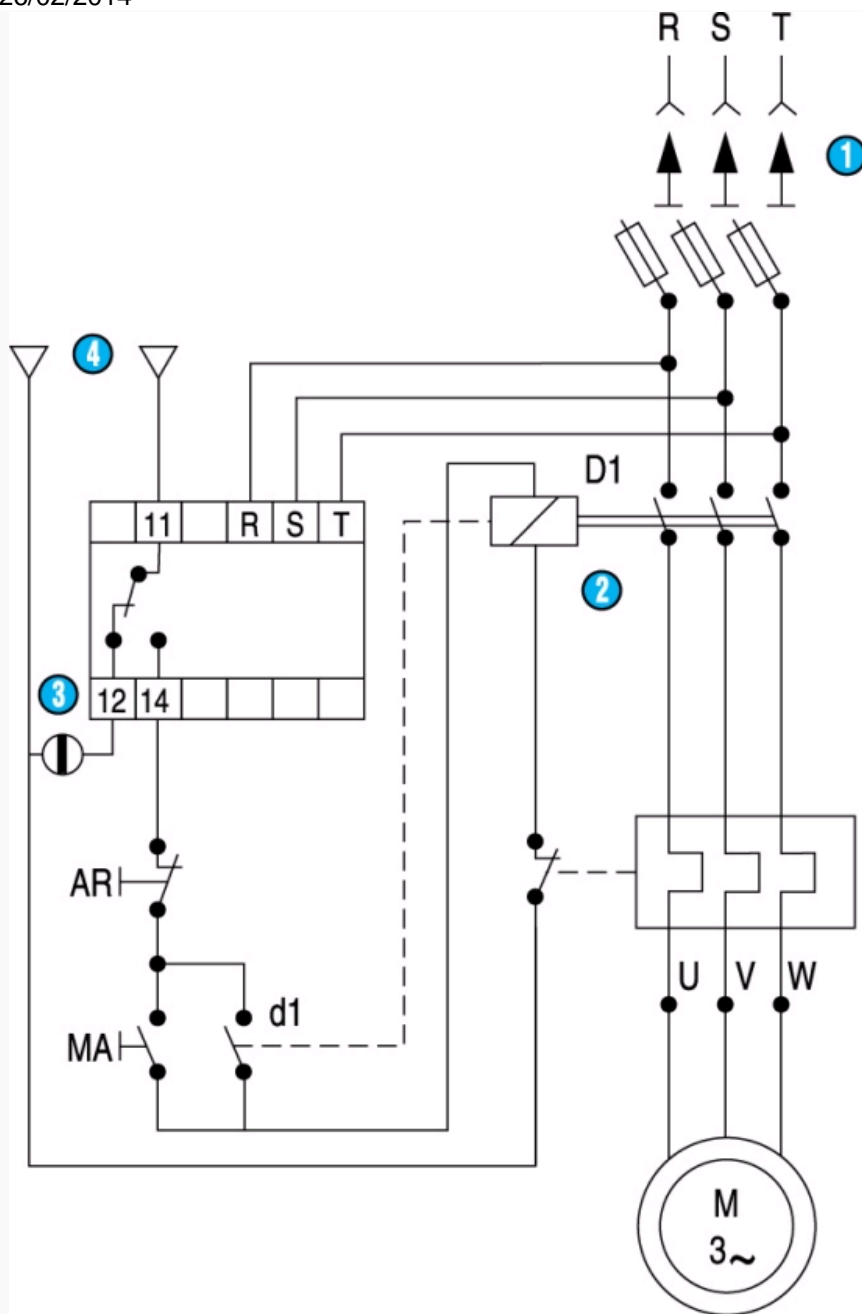
Connections

EWS



N°	Legend
1	Isolating switch
2	Contactor
3	Alarm
4	Auxiliary power supply

Connections
EWS



Surveillance moteur triphasé réenclenchement manuel après disparition du défaut détecté

N°	Legend
①	Isolating switch
②	Contacteur
③	Alarm
④	Auxiliary power supply for contactor coil and signalling

X-ON Electronics

Largest Supplier of Electrical and Electronic Components

Click to view similar products for [Crouzet manufacturer](#):

Other Similar products are found below :

[R1T2C-12D](#) [R1T2C-24D](#) [R1TS2C-12D](#) [R1TS2C-24D](#) [89422008](#) [89422712](#) [89750161](#) [LWRL480A](#) [79215938](#) [79237785](#) [80807012](#)
[808070Y01125Z](#) [808550Y00049Z](#) [81502150](#) [81502320](#) [81512201](#) [81513075](#) [81513201](#) [81520601](#) [81551001](#) [81716512](#) [81733511](#)
[81921911](#) [823055C10001MWY](#) [82330582](#) [823345A10001MB](#) [823345A10002MP](#) [823345A100.5HP](#) [823345P10004MC](#) [823440A100.1MP](#)
[82664024](#) [82861012](#) [82861021](#) [82862206](#) [83870104](#) [84137181](#) [84855011](#) [84870200](#) [84870214](#) [84870404](#) [84872020](#) [85102526](#) [87611008](#)
[88225030](#) [88270001](#) [88829117](#) [88865145](#) [88881202](#) [88893525](#) [88895206](#)