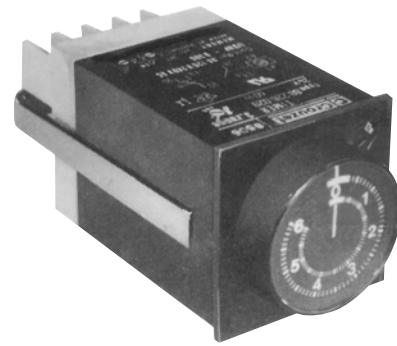


88220 SERIES

MULTIFUNCTION MOTOR TIMER WITH MEMORY

UL listed CSA recognized

- **Five Functions in One Unit**
- **Timing Range from 0.3 sec to 12 hours**
- **DIN-Rail, Plug-in, or Panel Mounting**



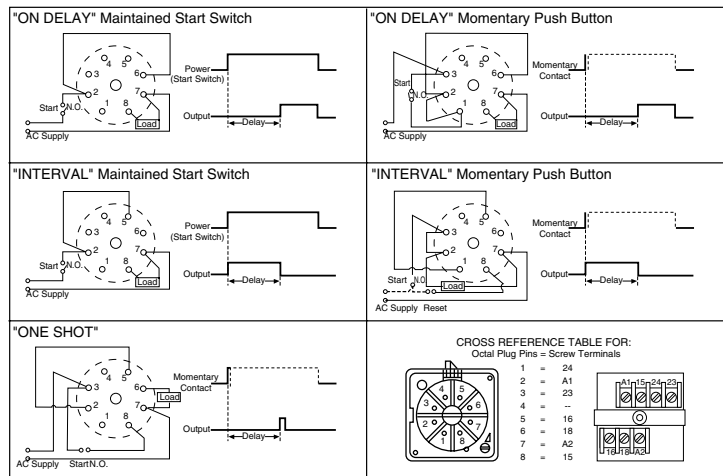
DESCRIPTION:

The 88220 Series is a synchronous motor driven reset timer. The timer is available in 2 standard time ranges from 0.3 sec to 12 hours. Time ranges are knob adjustable and all have a progress pointer which displays the remaining time. Different functions (ON Delay, Interval, One Shot) selectable through external wiring.

SPECIFICATIONS:

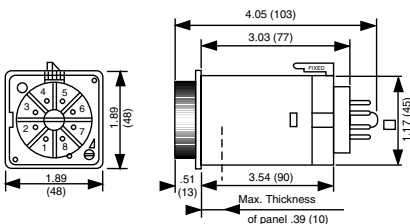
Input Power	24 VAC, 110 VAC, 220 VAC ±10%, 60 Hz
Maximum power consumption	3 VA
Output	1 x SPST Relay & 1 x SPDT Relay
Contact material	AgCdO
Maximum loading	8 Amp 1/3 HP
Maximum switching voltage	220 VAC
Mechanical life of relay	2.5 million operations
Repeat accuracy	±1.5% (except 4% on 6 sec range)
Setting Accuracy	±2% (except 5% on 6 sec range)
Reset time	200 ms
Storage temp. rating	-20° to +70°C (-4° to 158°F)
Operating temp. rating	-20° to +55°C (-4° to 131°F)

FUNCTION AND WIRING DIAGRAMS: (Octal plug-in mounting shown)

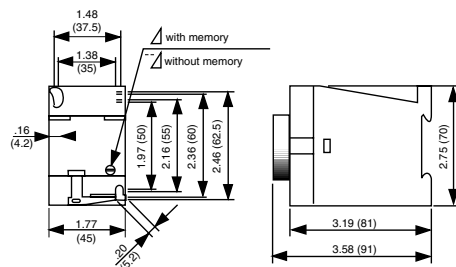


DIMENSIONS: inches (mm)

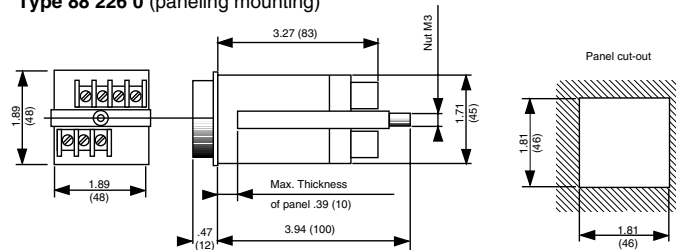
Type 88 226 5 (octal plug-in)



Type 88 225 0 (DIN - rail mounting)



Type 88 226 0 (paneling mounting)



Products and specifications subject to change without notice.
Consult factory for application assistance.

GENERAL FEATURES:

MULTI-FUNCTION

on-delay, interval and single shot in on timer

MULTI-RANGE

2 model/3 time ranges each cover from 0.3 sec to 12 hours

TRANSIENT IMMUNITY
Built-in

CYCLE PROGRESS

dial shows time remaining in cycle

±2% SETTING ACCURACY

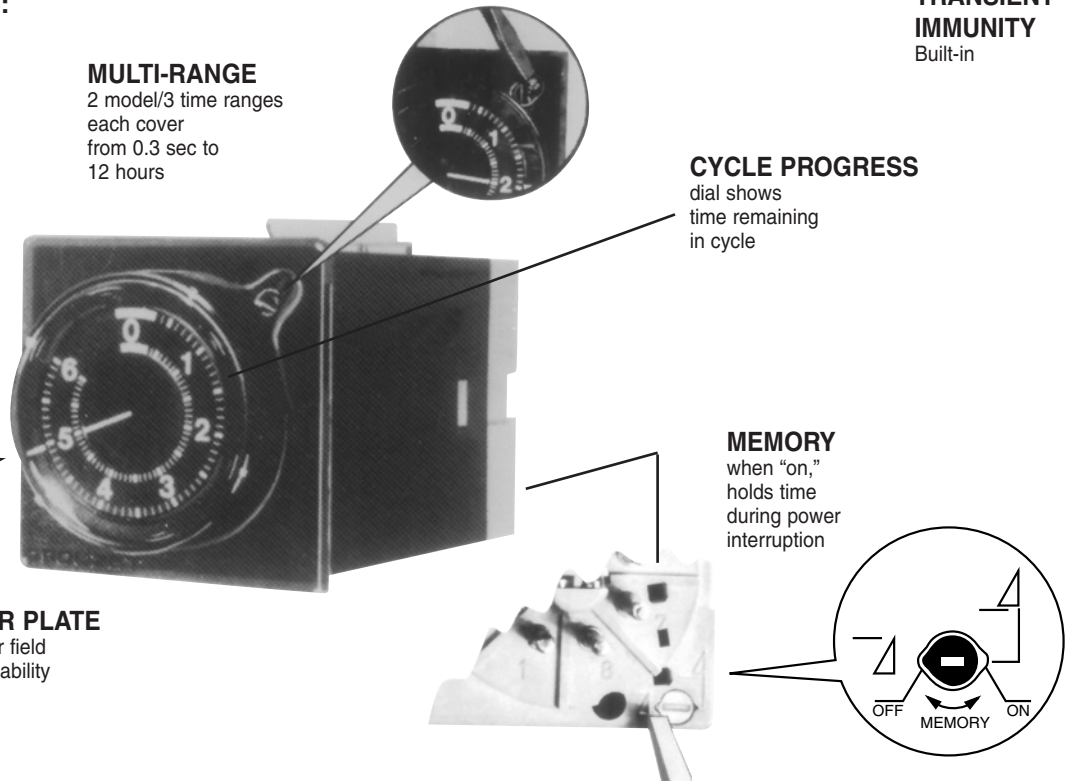
±1.5% REPEAT ACCURACY

ADAPTER PLATE

available for field interchangeability (not shown)

MEMORY

when "on," holds time during power interruption



4

TIME RANGES

Model 1 (12 min.): .3 to 6 s, .5 to 12 min.
Model 2 (12 hrs.): .3 to 6 min., 3 to 60 min, .5 to 12 hrs.

ORDERING INFORMATION:

When ordering, select model, voltage/frequency and mounting to determine part number in chart below

EXAMPLE

MODEL 1 (12 MIN.), 115V/60Hz, OCTAL PLUG-IN, 88 226 510

MODEL	VOLTAGE/FREQ.*	MODELING		
		OCTAL PLUG-IN (PART NUMBER)	PANEL MOUNTING (PART NUMBER)	BASE MOUNTING (PART NUMBER)
MODEL 1 (12 MIN.)	24 V/60 Hz	88 226 509	88 226 029	88 225 029
MODEL 1 (12 MIN.)	115 V/60 Hz	88 226 510	88 226 030	88 225 030
MODEL 1 (12 MIN.)	220 V/60 Hz	88 226 511	88 226 031	88 225 031
MODEL 1 (12 MIN.)	220 V/50 Hz	88 226 504	88 226 011	88 225 011
MODEL 2 (12 HRS.)	24 V/60 Hz	88 226 512	88 226 032	88 225 032
MODEL 2 (12 HRS.)	115 V/60 Hz	88 226 513	88 226 033	88 225 033
MODEL 2 (12 HRS.)	220 V/60 Hz	88 226 514	88 226 034	88 225 034
MODEL 2 (12 HRS.)	220 V/50 Hz	88 226 508	88 226 014	88 225 014

Products and specifications subject to change without notice.
Consult factory for application assistance.

X-ON Electronics

Largest Supplier of Electrical and Electronic Components

Click to view similar products for [Time Delay & Timing Relays](#) category:

Click to view products by [Crouzet](#) manufacturer:

Other Similar products are found below :

[7012GD](#) [7012L10BN](#) [7012L10DY1N](#) [7012L10FN](#) [7012L10HN](#) [7012L26K](#) [7012L8AI2LLSN](#) [7012L8BN](#) [7012L8KN](#) [7012OBILM](#)
[7012OIT](#) [7012PALL](#) [7012PDM](#) [7012PFX](#) [7022L10DN](#) [7022L8BN](#) [7022L8EN](#) [7022L8HN](#) [7022X3D](#) [7024NB](#) [7024SCT](#) [88256455](#) [H3BG-](#)
[N8H](#) [AC110V](#) [H3CRF8AC2448DC1248](#) [1423151-3](#) [1423154-8](#) [1423462-7](#) [1423618-6](#) [1423151-5](#) [1423156-7](#) [1423618-4](#) [2112AH1SDC947](#)
[2122DH1NJC467](#) [2122DH1PE](#) [2-1617805-2](#) [2-1617805-6](#) [K61C-08](#) [286XCXC-300-24D](#) [SCBRX022XXACXAC991](#) [SHS10S110A](#)
[SHS20M220A](#) [1755074-5](#) [SSC12AKA](#) [FAASPRING2](#) [2112DH3NDC50-13](#) [2122DH34NDC629](#) [2-1437479-8](#) [2-1617805-1](#) [2-1617805-3](#) [2-](#)
[1617805-7](#)