

48 x 48 Analog TMR 48 X Part number 88886116



- Multi-function or mono-function
- Multi-range from 0.02 s to 300 h
- Multi-voltage 12 to 240 VDC / 24 to 240 V AC
- Time setting displayed on dial
- 2 changeover relays 5 A / 250 VAC
- Display of power and output states by 2 LEDs
- Housing 48 x 48 mm

Part numbers

| | Type | Max. breaking current | Functions | Connection | Relay outputs | Supply voltage |
|------------|----------|-----------------------|------------------------------|---------------|---|-------------------------|
| 88 886 116 | TMR 48 X | 5 A / 250 VAC | A1, A2, H1, H2, Q1, Q2, D-Di | Plug-in 8 way | 2 changeover or 1 timed and 1 instantaneous | 12 →240 VDC 24 →240 VAC |

Specifications

| | |
|---|--|
| Supply voltage Un | 12 →240 VDC 24 →240 V AC |
| Operating range | ± 10 % DC supply - 15 % / + 10 % AC supply |
| Frequency | 50 / 60 Hz |
| Power consumption | 4.8 VA / 230 VAC 2.5 VA / 110 VAC 1.1 VA / 24 VAC 0.5 W / 24 VDC 0.8 W / 12 VDC |
| Timing ranges (14 available options) | 0,02 →1,2 s 0,05 →3 s 0,2 →12 s 0,5 →30 s 2 →120 s 5 →300 s 0,2 →12 min. 0,5 →30 min. 2 →120 min. 5 →300 min. 0,2 →12 h 0,5 →30 h 2 →120 h 5 →300 h |
| Repetition accuracy | ± 0.5 % of full scale at 25 °C (typical with constant parameters) |
| Temperature drift according to CEI/EN 61812 | ± 0.05 % of full scale |
| Display precision | ± 5 % of full scale at 25 °C |
| Minimum pulse duration START | 25 ms |
| Minimum pulse duration GATE | 60 ms |
| Minimum pulse duration RESET | 60 ms |
| Retard à la disponibilité par coupure de tension (START strappé) | 50 ms |
| Nominal rating | 2 x 5 A |
| Nominal insulation voltage | 250 VAC |
| Rated power (resistive load) | 2000 VA |
| Minimum current | 10 mA |
| Electrical life at I max. 250 V AC resistive (number of operations) | 10 ⁵ |
| Mechanical life (operations) | 30 x 10 ⁶ |
| Display of output state by 2 LEDs | Green : power ON flashing during timing Yellow : ON output ON OFF output OFF |
| Operating temperature range (°C) | -20 →+55 |
| Storage temperature range (°C) | -40 →+70 |
| Breakdown voltage | 2 KV |
| Protection class (IEC 60529) - Panel-mounted | IP 50 |
| Protection class (IEC EN/60529) - Casing | IP 40 |
| Housing material | self-extinguishing |
| Weight (g) | 140 |

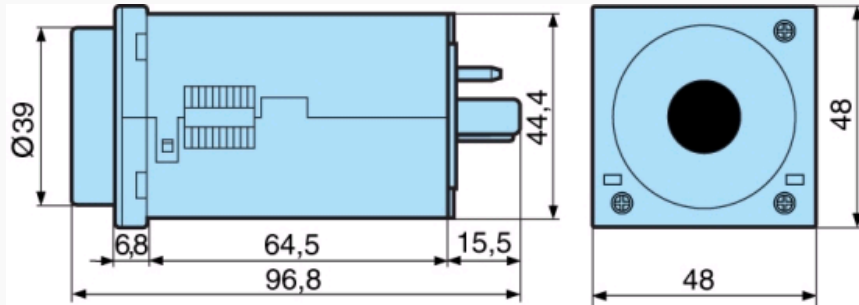
Accessories

| Accessories | Code |
|-------------|------|
| | |

| | |
|------------------------------|----------|
| 11-pin connector base | 25622080 |
| 8-pin connector base | 25622130 |
| Spring clips (pack of 2) | 79237739 |
| *** TRADUCTION MANQUANTE *** | • |

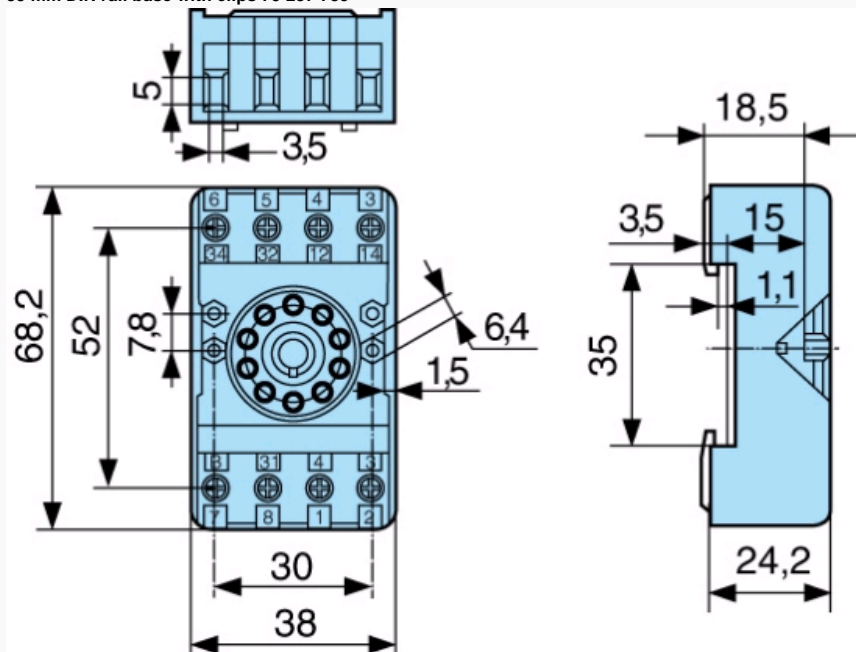
Dimensions (mm)

TMR 48 U / A / X / L



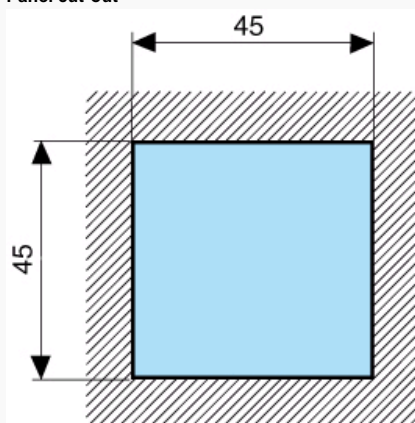
Dimensions (mm)

35 mm DIN rail base with clips 79 237 739



Dimensions (mm)

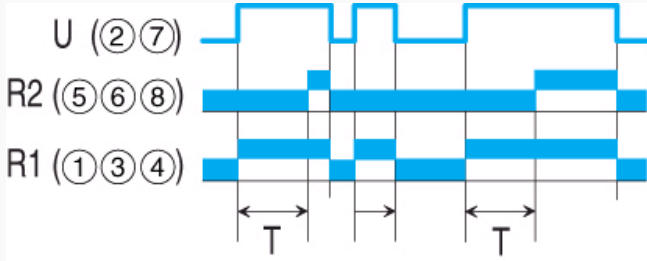
Panel cut-out



Curves

Function A1

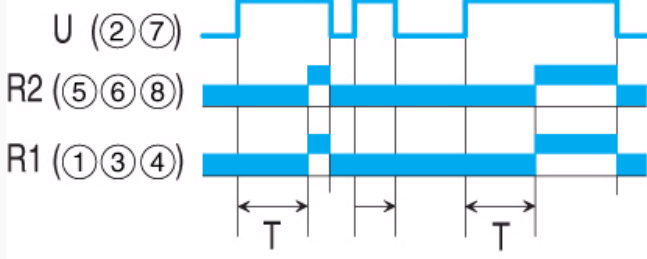
Delay on energisation



Curves

Function A2

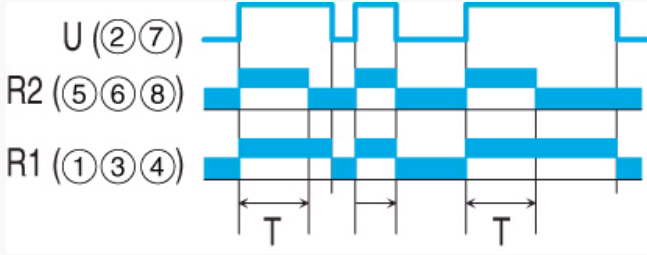
Delay on energisation



Curves

Function H1

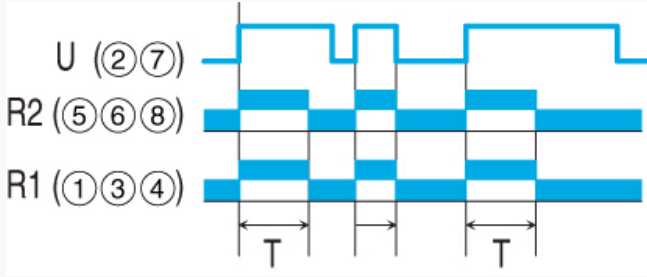
Timing on energisation



Curves

Function H2

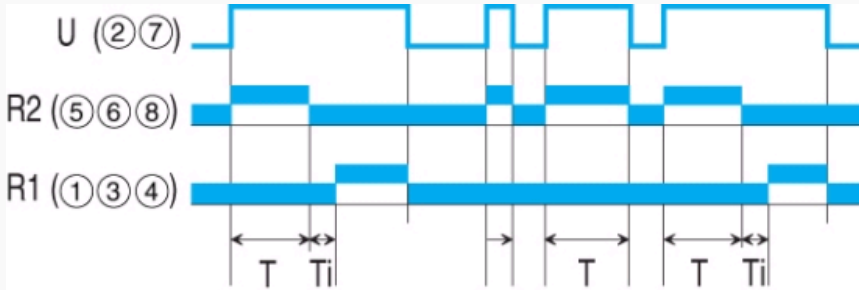
Timing on energisation



Curves

Function Q1

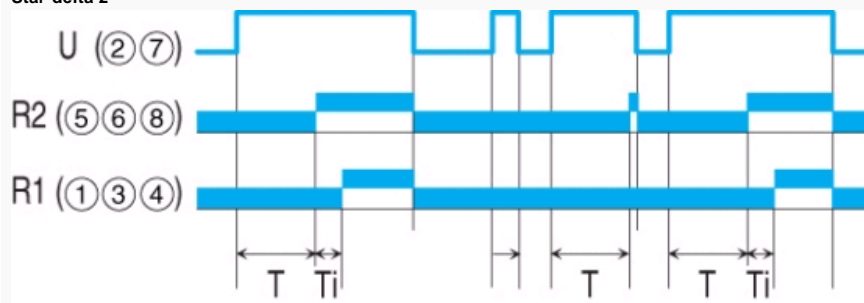
Star-delta



Curves

Function Q2

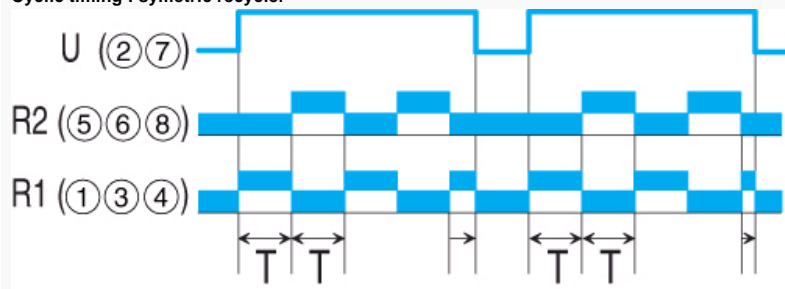
Star-delta 2



Curves

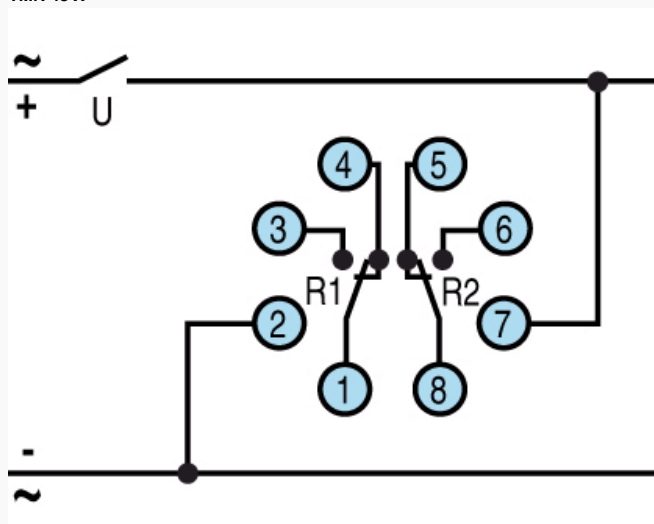
Function D-Di

Cyclic timing : symetric recycler



Connections

TMR 48 X



X-ON Electronics

Largest Supplier of Electrical and Electronic Components

Click to view similar products for [Timers](#) category:

Click to view products by [Crouzet](#) manufacturer:

Other Similar products are found below :

[79237785](#) [H5AN-4DM DC12-24](#) [H5CN-YAN AC100-240](#) [H5CX-L8S-N AC100-240](#) [H5AN-4D DC12-24](#) [THR2U-110A](#) [81506944](#)
[88225029](#) [H7AN-2D DC12-24](#) [H5CN-XANS DC12-48](#) [H7AN-W4DM DC12-24](#) [H7AN-4DM DC12-24](#) [H7AN-4D DC12-24](#) [H7AN-RT6M](#)
[AC100-240](#) [LT4H-AC24VS](#) [1SVR508020R0000](#) [1SVR508020R1100](#) [1SVR508100R0000](#) [1SVR550127R4100](#) [1SVR550212R4100](#)
[1SVR730010R3200](#) [1SVR730020R3300](#) [1SVR730180R3100](#) [1SVR730211R2300](#) [PCU-511UNI](#) [711-0162](#) [711-0163](#) [732-0030](#) [H3C-R](#)
[H3CR-A8-301](#) [24-48AC/12-48DC](#) [H3CR-A8E](#) [24-48AC/DC](#) [H3CR-F8](#) [100-240AC/100-125DC](#) [H3CR-FN](#) [100-240AC/100-125DC](#) [H3DK-G](#)
[24-230AC/DC](#) [H3DK-HBL](#) [AC/DC24-48](#) [H3DK-M1A](#) [DC12](#) [LT4H-AC24V](#) [LT4HW8-AC240V](#) [LT4HW-AC240V](#) [LT4HW-AC24VS](#)
[31L48AP](#) [31L48TPM240](#) [RC302](#) [RC312](#) [REV-201M](#) [RG](#) [AT78041](#) [AT78051](#) [ATC180041](#) [TMM1](#)