

> em4

em4 Ethernet

- > Program or debug your em4 Ethernet from anywhere on the Ethernet local network
- > Cooperate with up to 16 em4 Ethernet or other equipment with the Ethernet Modbus TCP/IP standard protocol Client and Server
- > By the Receive periodically datalogs by email or FTP in .CSV (Excel) file
- > Get an alert by email fully controlled by the application program



em4 Ethernet - Glossy black

Specific characteristics	
Part number	88 981 133
Type	B26-ET
Inputs	16 digital inputs (including 4 High Speed, 8 analog 0-10 V / potentiometers and 4 analog 0-10 V / 4-20 mA)
Outputs	10 digital outputs (including 2 solid states 0.5 A PWM, 2 relays 6 A and 6 relays 8 A)
Supply	24 VDC
Finish	Glossy black
On front panel color	Black RAL 9011
On terminal block color	Blue RAL 5017
Protection rating (in accordance with IEC/EN 60529)	IP 40 on front panel IP 20 on terminal block
Weight	Without packing: 345 g With packing: 395 g
Dimensions	Without packing: 124.6 x 90 x 60.6 mm / 4.91 x 3.54 x 2.38 inch With packing: 148 x 103 x 65 mm / 5.83 x 4.06 x 2.56 inch
Programming / exploitation	USB & Ethernet port / Ethernet port
Ethernet connection	Type RJ45, 10/100 Mbit/s, MDI/MDIX
Adressage	Static or dynamic (DHCP server / Auto IP)
Protocoles	Modbus TCP (client / server), Discovery, UDP, TCP, SMTP, SSL (workshop communication)
Cable length	Maximum length between 2 devices: 100 m / 3937 inch
Ethernet earthing	Yes, refer to the quick reference guide supplied with the product

General characteristics	
Products certification	CE, cULus Listed
Conformity with the low voltage directive (in accordance with BT 2006/95/EC)	IEC/EN 61131-2 (Open equipment)
Conformity with the EMC directive (in accordance with 2004/108/EC)	IEC/EN 61000-6-1 (Residential, commercial and light-industrial environments) IEC/EN 61000-6-2 (Industrial) IEC/EN 61000-6-3 (Residential, commercial and light-industrial environments) IEC/EN 61000-6-4 (Industrial)
Power supply earthing	None
Overvoltage category	3 in accordance with IEC/EN 60664-1

Pollution	Degree: 2 in accordance with IEC/EN 61131-2
Maximum utilization altitude	Operation: 2000 m Transport: 3000 m
Mechanical resistance	Immunity to vibrations IEC/EN 60068-2-6, Fc test Immunity to shock IEC/EN 60068-2-27, Ea test
Resistance to electrostatic discharge	Immunity to ESD IEC/EN 61000-4-2, level 3
Resistance to HF interference (Immunity)	Immunity to radiated electrostatic fields IEC/EN 61000-4-3, level 3 Immunity to fast transients (burst immunity) IEC/EN 61000-4-4, level 3 Immunity to shock waves IEC/EN 61000-4-5 Radio frequency in common mode IEC/EN 61000-4-6, level 3
Conducted and radiated emissions (in accordance with EN 55022/11 group 1)	Class B
Operation temperature	-20°C (-4°F) → +60°C (140°F) (+40°C (104°F) in a non-ventilated enclosure)
Storage temperature	-40°C (-40°F) → +80°C (176°F)
Relative humidity	95% max. (no condensation or dripping water)
Screw terminals connection capacity	Flexible wire with ferrule: 1 conductor: 0.2 to 2.5 mm ² (AWG 24-14) Flexible wire with ferrule: 2 conductors: 0.2 to 0.75 mm ² (AWG 24-18) Rigid wire: 1 conductor: 0.2 to 2.5 mm ² (AWG 24-14) Rigid wire: 2 conductors: 0.2 to 0.75 mm ² (AWG 24-18) Tightening torque: 0.5 N.m (4.5 lb-in) (tighten using screwdriver diam. 3.5 mm) Stripping length: 6 mm

Processing characteristics

LCD display	Display with 4 lines of 18 characters
Programming method	FBD (Function Block Diagram), including SFC (Sequential Function Chart, Grafcet)
Program size	Function blocks: typically 1000 blocks Macro blocks: 64 max. (256 blocks per macro)
Program memory	Flash
Removable memory	N.A
Data memory	2 k octets
Backup time (in the event of power failure)	Program and settings in the controller: 10 years Data memory: 10 years
Data backup	Data backup in the flash memory is guaranteed if the product is powered on more than 10 seconds
Cycle time	From 2 ms to 90 ms, default value: 10 ms
Clock data retention	10 years (lithium battery) at 25°C (77°F)
Clock drift	Drift < 12 min/year (at 25°C (77°F)) 6 s / month (at 25°C (77°F) with user-definable correction of drift). Synchronizable by network
Timer block accuracy	0.5 % +/- 2 cycle time
Start up time on power up	< 7 s base alone, < 5 s base + 2 expansions + 1 accessory (RS485)
Self test	Test firmware integrity (checksum memory) Stability of the internal power supply Check the conformity of the em4 device configuration with the configuration in the application program

Supply

Nominal voltage	24 VDC (-15% / +20%)
Operating limits	20.4 - 28.8 VDC
Immunity from micro power cuts	≤ 1 ms (repetition 20 times)
Max. absorbed power	5 W @ 24 VDC, 6.5 W @ 28.8 V, - 0.3 W backlight OFF
Protection against polarity inversions	Yes

Inputs

Digital and high speed digital inputs 24 VDC - 4 inputs from I1 to I4

Input used as digital input

Input voltage	24 VDC (-15% / +20%)
Input current	1.8 mA @ 20.4 V 2.1 mA @ 24 V 2.5 mA @ 28.8 V

Isolation between analog channel and power supply	None
Protection against polarity inversions	Yes
Potentiometer control	2.2 k Ω / 0.5 W (recommended), 10 K Ω max.
Cable length	\leq 10 m with shielded twisted cable (sensor not isolated)

Digital 24 VDC and analog inputs 12 bits / 10 V & 11 bits / 0-20 mA- potentiometer - 4 inputs from ID to IG

Input used as digital input (power off state)

Input voltage	24 VDC (-15% / +20%)
Input current	1.5 mA @ 20.4 V 1.7 mA @ 24 V 2.1 mA @ 28.8 V
Input impedance	13.9 k Ω
Logic 1 voltage threshold	\geq 11 VDC
Making current at logic state 1	\geq 0.8 mA
Logic 0 voltage threshold	\leq 8 VDC
Release current at logic state 1	\leq 0.5 mA
Response time	1 to 2 cycle times
Sensor type	Contact or 3-wire PNP
Conforming to IEC/EN 61131-2	Type 1
Input type	Resistive
Isolation between power supply and inputs	None
Isolation between inputs	None
Protection against polarity inversions	No
Status indicator	On LCD screen
Cable length	\leq 100 m

Input used as 0-10 V analog input

Measuring range	0 \rightarrow 10 V
Input impedance	13.9 k Ω
Maximum value without destruction	28.8 VDC max
Input type	Common mode
Resolution	12 bit / 10V
Value of LSB	2.45 mV
Conversion time	Controller cycle time
Maximum error at 25°C (77°F)	+/- 0.8 % of full scale
Maximum error at 55°C (131°F)	+/- 1.2 % of full scale
Repeat accuracy at 55°C (131°F)	+/- 0.5 %
Isolation between analog channel and power supply	None
Protection against polarity inversions	Yes for voltage \leq 10 V
Potentiometer control	2.2 k Ω / 0.5 W (recommended), 10 K Ω max.
Cable length	\leq 10 m with shielded twisted cable (sensor not isolated)

Input used as 0-20 mA analog input

Measuring range	0 \rightarrow 20 mA (4 \rightarrow 20 mA by the application)
Input impedance	245 Ω
Maximum value without destruction	30 mA max
Input type	Common mode
Resolution	11 bit (normalized at 0 - 2000) / 20 mA
Value of LSB	10 μ A
Conversion time	Controller cycle time
Maximum error at 25°C (77°F)	+/- 1.2 % of full scale
Maximum error at 55°C (131°F)	+/- 1.7 % of full scale
Repeat accuracy at 55°C (131°F)	+/- 0.5 %
Isolation between analog channel and power supply	None
Protection against polarity inversions	Yes
Overvoltage protection	Yes If the input voltage is $>$ 7 V, this one is automatically switched on 0-10V configuration.
Cable length	\leq 30 m with shielded twisted cable (sensor not isolated)

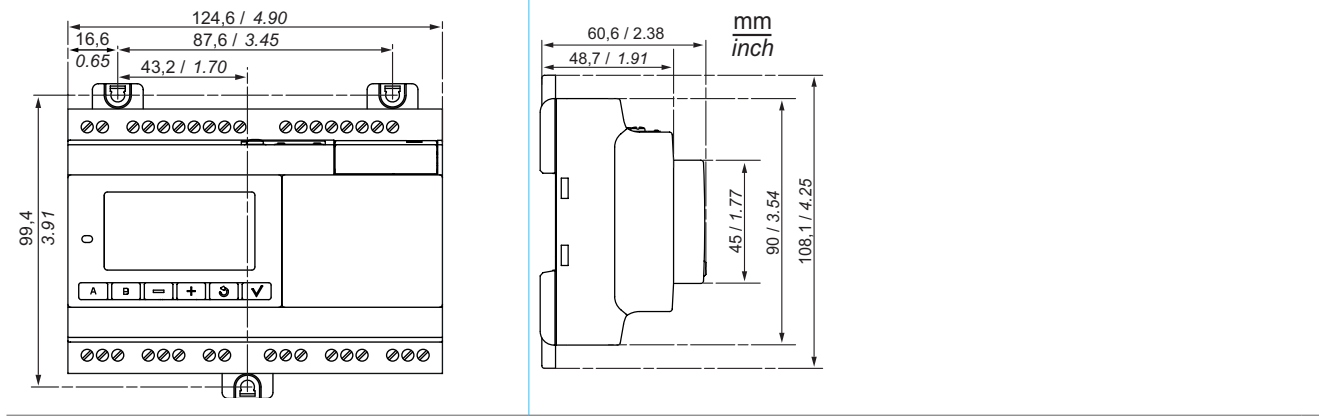
8 A relay output - 6 outputs from O5 to OA

Breaking voltage	250 VAC max
Breaking current	8 A, Derating: CEI : $\geq 55^{\circ}\text{C}$ (131°F) or UL : $\geq 45^{\circ}\text{C}$ (113°F): 6 A max
Maximum breaking current in the common	IEC @ 25°C (77°F): C3, C6: 8 A ; C4, C5: 16 A IEC @ 60°C (140°F) or UL: C3, C6: 8 A ; C4, C5: 10 A
Mechanical life	20 000 000 operations (cycles)
Electrical durability for 50 000 operating cycles	24 VDC tau = 0 ms: 8 A, tau = 7 ms: 3 A, tau = 15 ms: 1.5 A Usage category DC-12: 24 V, 8 A Usage category DC-14: 24 V, 1.5 A 250 VAC cos phi = 1: 8 A, cos phi = 0.7: 4.75 A, cos phi = 0.4: 3 A Usage category AC-12: 250 V, 8 A Usage category AC-13: 250 V, 4.3 A Usage category AC-15: 250 V, 1.5 A
Minimum switching capacity	100 mA (at minimum voltage of 12V)
Maximum operating rate	Off load: 10 Hz At operating current: 0.1 Hz
Voltage for withstanding shocks	In accordance with IEC/EN 60947-1 and IEC/EN 60664-1: 4 kV
Response time	Make = 1 cycle time + 10 ms typical Release = 1 cycle time + 5 ms typical
Built-in protections	Against short-circuits: None Against over voltages and overload: None
Status indicator	On LCD screen
Cable length	≤ 30 m

Schemes

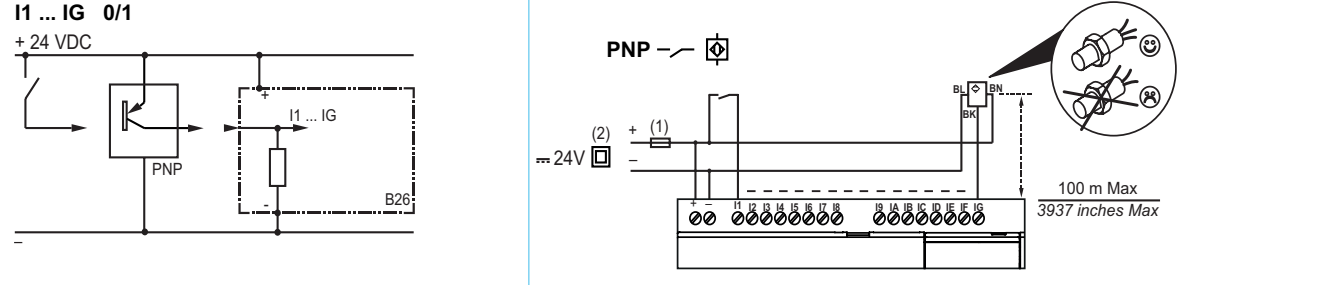
Dimensions

B26-ET Glossy



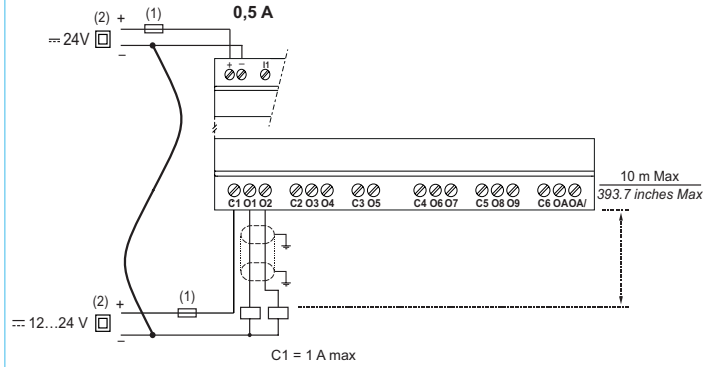
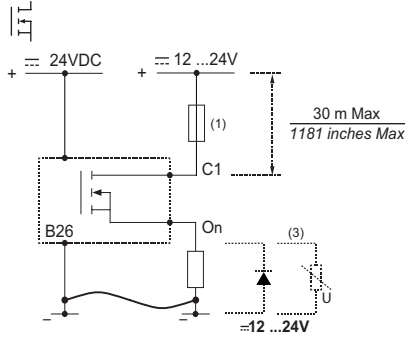
Connections

Inputs

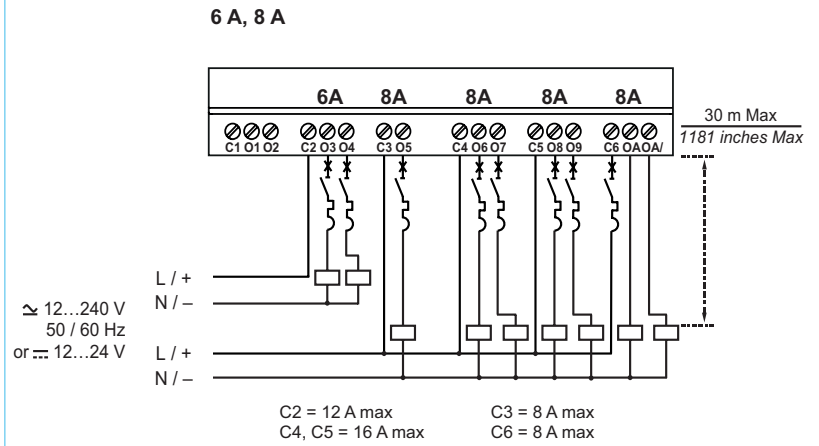
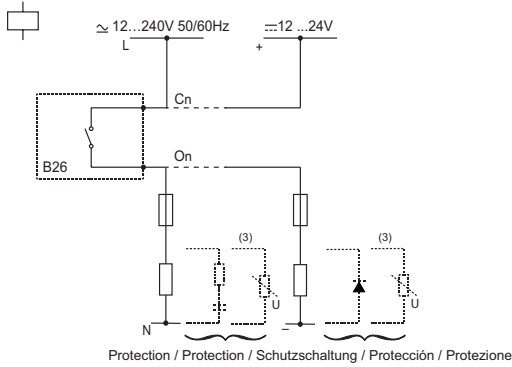


Outputs

O1 & O2

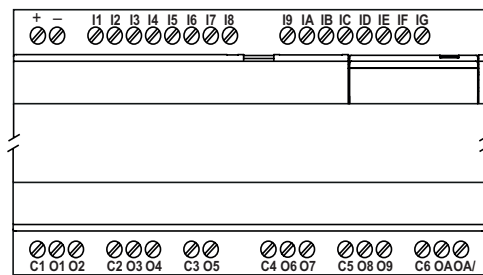


O3 ... OA



- (1) 1 A (UL248) quick-blowing fuse, circuit-breaker or circuit protector (US)
- (2) Isolating source
- (3) Inductive load

I/O installations



X-ON Electronics

Largest Supplier of Electrical and Electronic Components

Click to view similar products for [Controllers](#) category:

Click to view products by [Crouzet](#) manufacturer:

Other Similar products are found below :

[61FGPN8DAC120](#) [CV500SLK21](#) [70177-1011](#) [F03-03 HAS C](#) [F03-31](#) [81550401](#) [FT1A-C12RA-W](#) [88981106](#) [H2CAC24A](#) [H2CRSAC110B](#)
[R88A-CRGB003CR-E](#) [R88ARR080100S](#) [R88A-TK01K](#) [DCN1-1](#) [AFP0RT32CT](#) [DRT2ID08C](#) [DTB4896VRE](#) [DTB9696CVE](#)
[DTB9696LVE](#) [E53-AZ01](#) [E53E01](#) [E53E8C](#) [E5C4Q40J999FAC120](#) [E5CWLQ1TCAC100240](#) [E5GNQ03PFLKACDC24](#) [B300LKL21](#)
[NSCXDC1V3](#) [NSH5-232CW-3M](#) [NT20SST122BV1](#) [NV-CN001](#) [OAS-160-N](#) [C40PEDRA](#) [K31S6](#) [K33-L1B](#) [K3MA-F](#) [100-240VAC](#)
[K3TX-AD31A](#) [89750101](#) [L595020](#) [SRM1-C02](#) [SRS2-1](#) [G32X-V2K](#) [26546803](#) [26546805](#) [PWRA440A](#) [CPM1AETL03CH](#) [CV500SLK11](#)
[3G2A5BI081](#) [3G2A5IA122](#) [3G2A5LK010E](#) [3G2A5OA223](#)