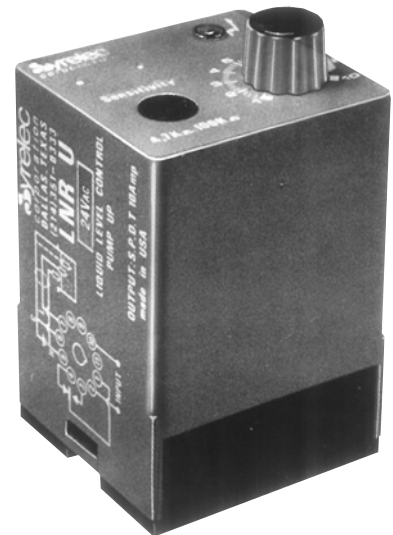


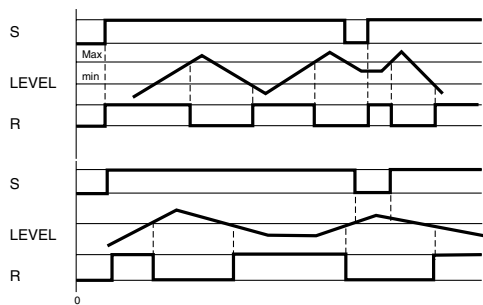
NRU SERIES

LIQUID LEVEL CONTROL PUMP UP

UL listed CSA recognized



- LED Relay Indicator
- Three Styles
- Pump Up Control
- 4.7 kΩ to 100 kΩ Sensitivity
- 10 Amp SPDT Relay



Control of conductive liquids (tap water, sea water, sewage, chemical solutions, coffee, ice cream, etc.)

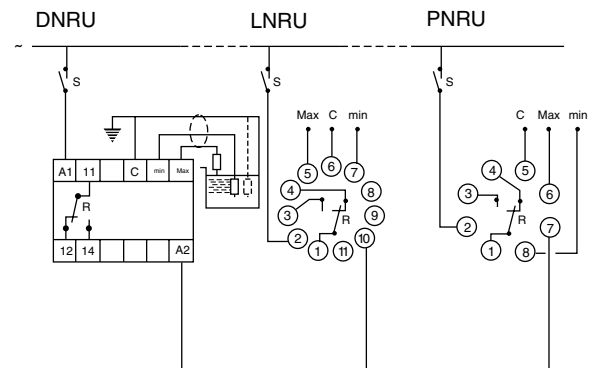
The relay is energized when the level falls below the low level probe. It de-energizes when the high level probe is reached. The NRU will also control a single level. In this case, a single probe is used and the relay operates when the probe is not immersed. The Max terminal is connected to common with a jumper.

In either case, a common electrode is needed if the container is non-conductive.

SPECIFICATIONS:

Input Power	.24, 48, 110, 220 VAC, ±15% (50/60 Hz)	
Maximum voltage	.24 VAC: 1.5 VA	
	48 VAC: 1.7 VA	
	110 VAC: 2 VA	
	220 VAC: 2 VA	
Output	SPDT Relay	
Contact material	AgCdO	
Maximum loading	.10A AC resistive	8A DC resistive
Maximum switching voltage	.250 VAC	250 VDC
Maximum power rating	.2500 VA	80 W
Electrical life	.2 x 10 ⁶ at 2200 VA resistive load	
Mechanical life	.3 x 10 ⁷ operations	
Probe isolation	Electrodes: 2000 VAC	
Probe sensitivity	4.7 K to 100 K ohms	
Probe voltage	.24 VAC, 60 Hz	
Probe current	.2 mA max.	
Operating temperature	+14°F to +140°F	-10°C to +60°C
Weight	.7 oz. (200g)	

WIRING DIAGRAM:



Note: The cable for probes (max 300ft) should be run in separate conduit. A shielded cable is recommended.

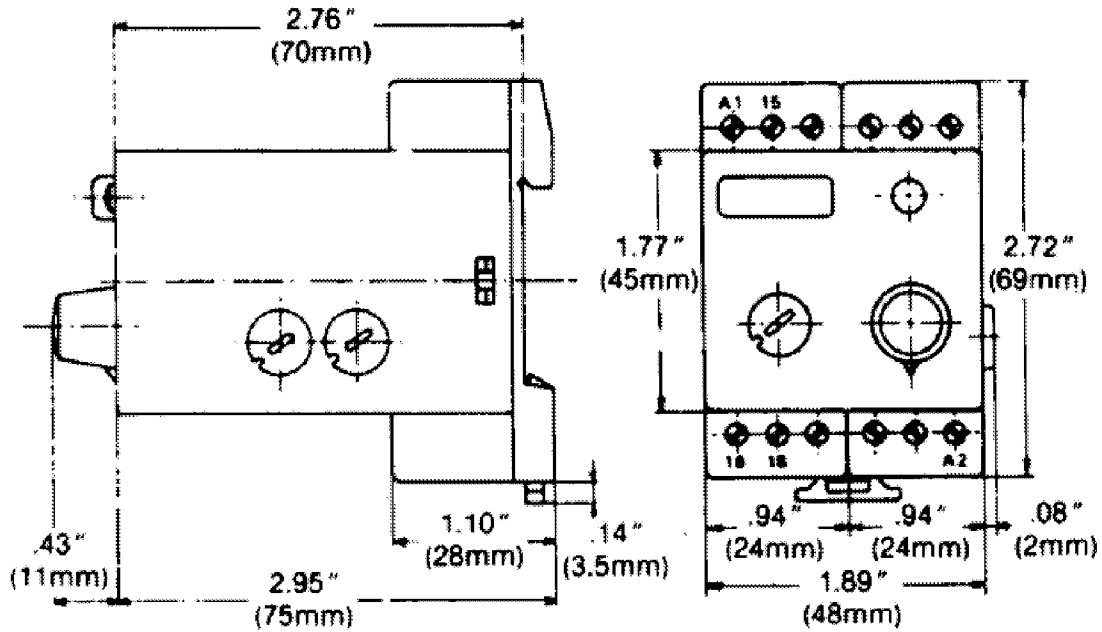
ORDERING INFORMATION:



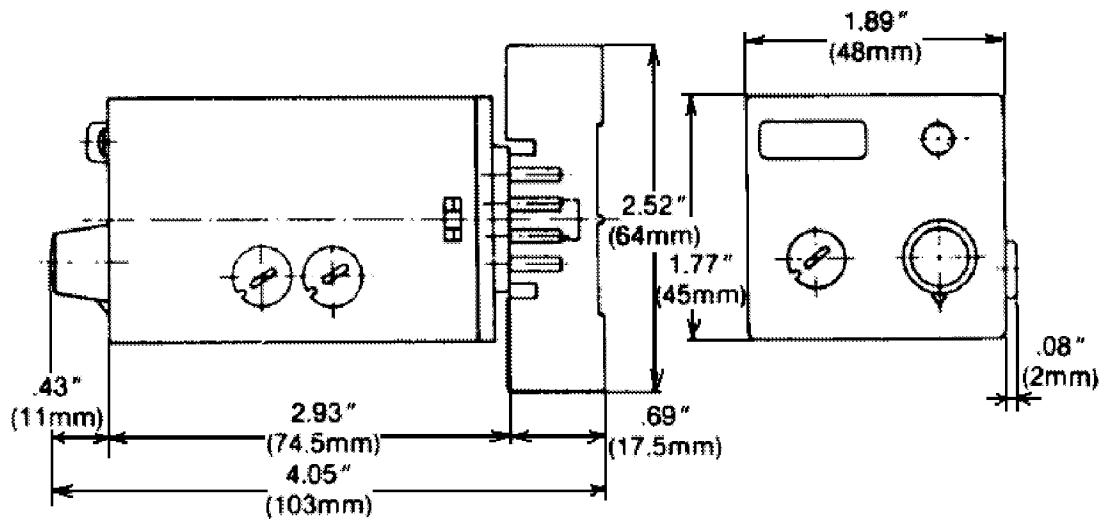
Products and specifications subject to change without notice.
Consult factory for application assistance.

DIMENSIONS:

D - DIN-Rail



L & P - Sockets



Products and specifications subject to change without notice.
Consult factory for application assistance.

X-ON Electronics

Largest Supplier of Electrical and Electronic Components

Click to view similar products for [crouzet](#) manufacturer:

Other Similar products are found below :

[89422008](#) [89422712](#) [89750161](#) [LWRL480A](#) [MAXR2U12D](#) [79215938](#) [79237785](#) [805470A40020MY](#) [80807012](#) [808070Y01125Z](#)
[808550Y00049Z](#) [81502320](#) [81512201](#) [81513075](#) [81513201](#) [81520601](#) [81551001](#) [81716512](#) [81921911](#) [823055C10001MWY](#) [82330582](#)
[823345A10001MB](#) [823345A10002MP](#) [823345A100.5HP](#) [823345P10004MC](#) [823440A100.1MP](#) [82344634](#) [82664024](#) [82861017](#) [82861021](#)
[828627Y00047](#) [831060C1.0](#) [83870104](#) [83990129](#) [84137122](#) [84137181](#) [84211M02LGRS](#) [84217A65CN0S](#) [84717674](#) [84855011](#) [84870200](#)
[84870214](#) [84870404](#) [84872020](#) [87611008](#) [88225030](#) [88270001](#) [88829117](#) [88865135](#) [88865145](#)