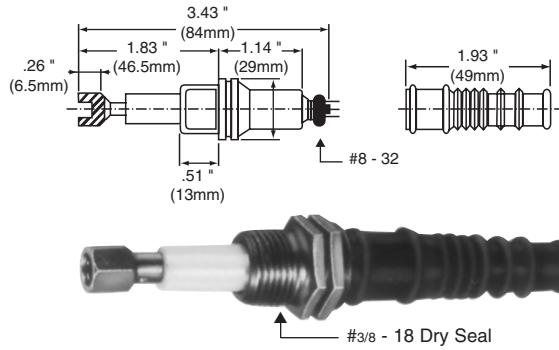


**S5 LEVEL PROBE HOLDER**

Single probe holder for use with probe rod of various lengths. This probe is particularly suitable for high temperature and/or high pressure applications. It is capable of operating at temperatures up to 200°C (392°F) and pressures up to 700PSI. Order part # S5.

3/8" Threaded Rod. Order part number S5/1.

**NOTE:** Internal Threading: 1/4 x 20

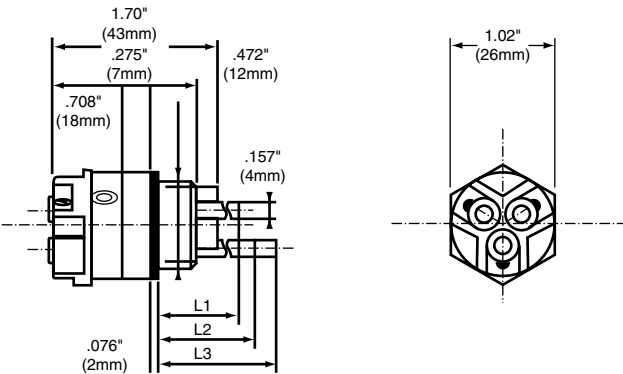
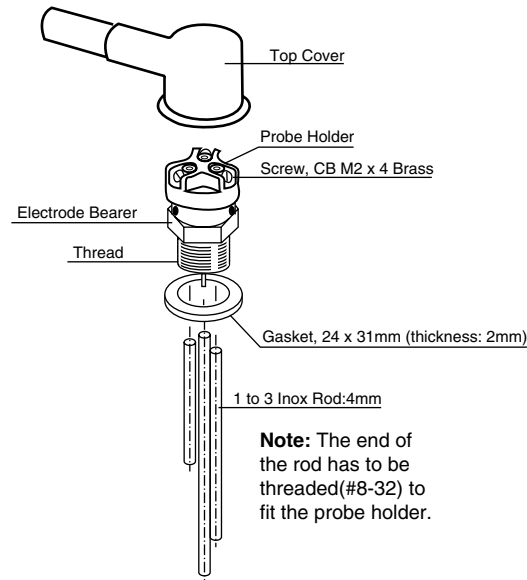
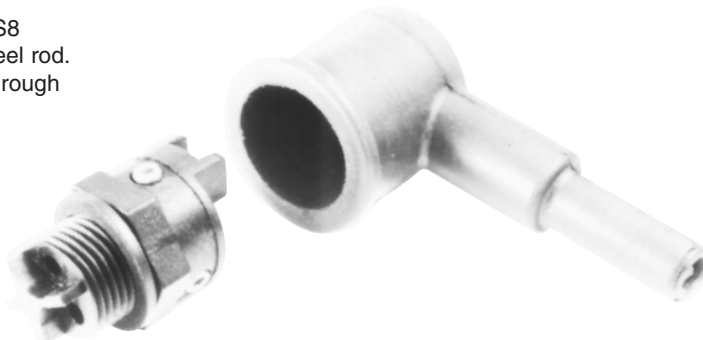


**S8 LEVEL PROBE**

The S8 probe will hold one, two or three 4mm probes. The S8 comes with three (3) one meter lengths of 4mm stainless steel rod. It comes equipped with a black SBS rubber protective top through which the leads are routed at a 90° angle.

**SPECIFICATIONS:**

- Material - Holder** . . . . . Polyamide
- Material - Top Boot** . . . . . SBS (Styrene Butadiene)
- Wire Terminal** . . . . . Stainless Steel with M2 x 4 brass screws
- Probe Holder** . . . . . Stainless steel
- Gasket** . . . . . BB701 (Butadiene)
- Thread Size** . . . . . 1/2" NPT
- Operating Temp** . . . . . 176°F (80°C)
- Max Pressure** . . . . . 2 Kg/CM<sup>2</sup> (28 PSI)

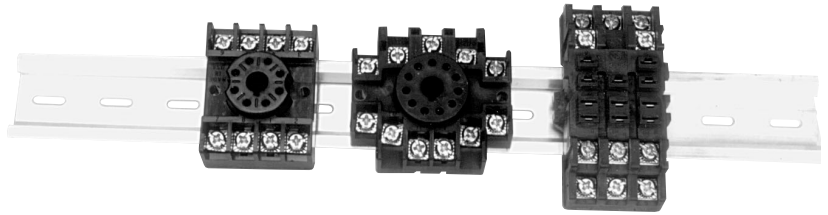


Products and specifications subject to change without notice.

Order/Technical Support – Tel: (800) 677-5311 / FAX: (800) 677-3865 / www.crouzet-usa.com

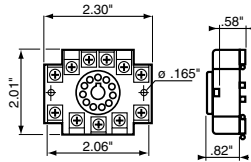
**DR – DIN-RAIL**

The DR-DIN-Rail material is an extruded aluminum material of the standard configuration, 35mm. Timers and Controls conveniently snap onto the track. Order part number “DR” which is available in 1 meter (39”) lengths. Shown with S08, S11 and K11 sockets.

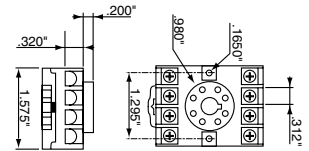


**S08, S11 SCREW TERMINAL SOCKETS**

The S08, and S11 are 8 and 11 pin sockets fabricated from a rugged, durable polycarbonate.\* Mounting is with two 6/32 screws .250 or on .30 DIN-Rail, DR. Order part “S08” or “S11.”



S11



S08

**S08-600:** 600 V, 10 A rated 8 pin socket-UL and CSA

**L595 SERIES CURRENT TRANSFORMER**

- 20 to 400 Amps
- Compatible with IAR.T Series

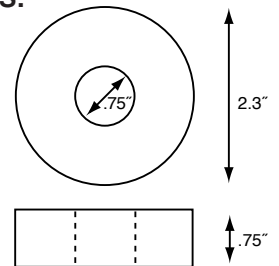
**SPECIFICATIONS:**

<b>Input Current</b> . . . . .	20 to 400 Amps AC 50/60 Hz
<b>Output Current</b> . . . . .	100 mA AC
<b>Connections</b> . . . . .	#20 AWG 24” long wires
<b>Insulation Class</b> . . . . .	600 VAC
<b>Enclosure</b> . . . . .	Fiberglass reinforced resin

**ORDERING INFORMATION:**

Part Number	Input Current
L595-020	20 Amps
L595-050	50 Amps
L595-100	100 Amps
L595-200	200 Amps
L595-300	300 Amps
L595-400	400 Amps

**DIMENSIONS:**



**L546 SERIES CURRENT TRANSFORMER**

- 50 to 500 Amps
- Compatible with F3I and FWIT Series

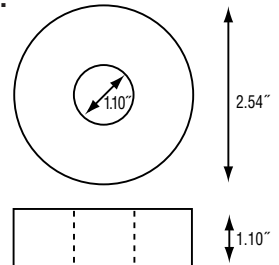
**SPECIFICATIONS:**

<b>Input Current</b> . . . . .	50 to 500 Amps AC 50/60 Hz
<b>Output Current</b> . . . . .	5 Amps AC
<b>Connections</b> . . . . .	#16 AWG 24” long wires
<b>Insulation Class</b> . . . . .	600 VAC
<b>Enclosure</b> . . . . .	Molded thermoplastic

**ORDERING INFORMATION:**

Part Number	Input Current
L546-050	50 Amps
L546-100	100 Amps
L546-200	200 Amps
L546-500	500 Amps

**DIMENSIONS:**



Products and specifications subject to change without notice.



## X-ON Electronics

Largest Supplier of Electrical and Electronic Components

*Click to view similar products for [Relay Sockets & Fixings](#) category:*

*Click to view products by [Crouzet](#) manufacturer:*

Other Similar products are found below :

[00008258500](#) [00111976502](#) [0000-825-81-00](#) [60SY4S05](#) [M41G](#) [670-0125](#) [670-0127](#) [6700152](#) [670-0153](#) [6700156](#) [D258-2TS00](#) [70-309](#) [7-1393143-3](#) [7-1616360-5](#) [8000-DG2-5](#) [911361](#) [9-1616339-5](#) [PJF11N](#) [GDA12HA](#) [GDA12HD](#) [GDA12SA](#) [GDA12SD](#) [GDA16HD](#) [GDA22HA](#) [GDA95A](#) [GDA95D](#) [GFX20](#) [PT08QN](#) [PT 1/8 D = 3.2](#) [GUA1](#) [GUA2-11](#) [GUA4-31](#) [GUM5R](#) [GUR-120](#) [GUR-24](#) [GUR-240](#) [GUR-277](#) [GURX-277](#) [GUW12](#) [GUW95](#) [GUZ63L](#) [R99-11 FOR MY\(NAMEPLATE\)](#) [D52PR2T](#) [RES100K](#) [1310H-HDC](#) [1390H-1ST](#) [1393824-3](#) [1390H-2PC](#) [1410-2SM](#) [1410-3SM](#)