

Part Number	Description
CEVAL-033	0.3"x 0.3" VCO CVCO33 Model
CEVAL-055	0.5"x 0.5" VCO CVCO55 Model

Crystek's VCO Evaluation boards are a turn key solution to easy stand alone testing. Evaluation boards are constructed using rigid 0.062" FR4 PCB material. Solder down connection method insures that the VCO will receive proper grounding for best testing results. Evaluation boards are available for 0.3" x 0.3" and 0.5" x 0.5" Industrial Standard VCO foot prints. Crystek also produces a line of RF Cables that can be purchased separately to make connection to equipment an effortless task.

Crystek Part Number	Frequency Range (MHz)	Phase Noise @ 10kHz offset Typ. (dBc/Hz)	Tuning Voltage (Vdc)	Kvco (MHz/V)	2nd Harm, Typ. (dBc)	Power Output (dBm)	Operating Temp (°C)	Supply Voltage Vcc (Vdc)	Supply Current Icc Max (mA)
CVCO25CL-0065-0075	65 to 75	-110	0.5 to 4.5	8	-15	7.0±2.0	-40 to +85	5.0±0.25	20
CVCO25CL-0095-0105	95 to 105	-110	1.5 to 3.5	5	-10	10.0±1.0	-40 to +85	5.0±0.25	15
CVCO25CL-0160-0220	160 to 220	-110	0.3 to 2.8	52	-10	0.0±4.0	-40 to +85	3.0±0.15	15
CVCO25CL-0334-0381	334 to 381	-110	0.4 to 2.6	25	-15	5.0±2.0	-40 to +85	3.0±0.15	30
CVCO25CL-0780-0820	780 to 820	-111	0.5 to 4.5	10	-10	8.0±2.0	-40 to +85	5.0±0.25	12
CVCO25CL-0780-0850	780 to 850	-111	0.3 to 4.7	20	-10	8.0±2.0	-40 to +85	4.7±0.23	15
CVCO25CL-0820-0870	820 to 870	-111	0.5 to 4.5	10	-10	8.0±2.0	-40 to +85	5.0±0.25	12
CVCO25CL-0848-0865	848 to 865	-108	1.5 to 3.5	30	-10	7.0±1.0	-40 to +85	5.0±0.25	15
CVCO25CL-0902-0928	902 to 928	-108	0.1 to 2.9	18	-10	5.0±3.0	-40 to +85	5.0±0.25	15
CVCO25CL-0913-0923	913 to 923	-108	1.5 to 3.5	30	-10	6.0±1.0	-40 to +85	5.0±0.25	15
CVCO25CL-1083-1095	1083 to 1095	-108	1.5 to 3.5	30	-10	5.0±1.0	-40 to +85	5.0±0.25	15

Crystek Part Number	Frequency Range (MHz)	Phase Noise @ 10kHz offset Typ. (dBc/Hz)	Tuning Voltage (Vdc)	Kvco (MHz/V)	2nd Harm, Typ. (dBc)	Power Output (dBm)	Operating Temp (°C)	Supply Voltage Vcc (Vdc)	Supply Current Icc Max (mA)
CVCO33CL-0090-0100	90 to 100	-112	0.5 to 4.5	5	-10	0.0±3.0	-40 to +85	3.0±0.15	5
CVCO33CL-0110-0120	110 to 120	-112	0.0 to 5.0	10	-10	3.0±3.0	-40 to +85	5.0±0.25	5
CVCO33CL-0110-0150	110 to 150	-110	0.0 to 5.0	11	-10	0.0±3.0	-40 to +85	3.0±0.15	10
CVCO33CL-0125-0200	125 to 200	-100	0.5 to 6.0	14	-15	6.0±3.0	-40 to +85	5.0±0.25	30
CVCO33CL-0165-0220	165 to 220	-109	0.3 to 2.8	36	-10	0.0±3.0	-40 to +85	3.0±0.15	15
CVCO33CL-0169-0171	169 to 171	-106	0.2 to 3.0	10	-10	3.0±3.0	-20 to +65	3.0±0.15	15
CVCO33CL-0180-0200	180 to 200	-110	0.3 to 3.0	10	-10	-2.0±2.0	-30 to +70	3.3±0.33	15
CVCO33CL-0204-0206	204 to 206	-112	1.0 to 4.0	11	-12	-1.0±3.0	-40 to +85	5.0±0.25	15
CVCO33CL-0225-0265	225 to 265	-110	0.0 to 5.0	11	-10	3.0±3.0	-40 to +85	5.0±0.25	10
CVCO33CL-0300-0330	300 to 330	-110	0.5 to 4.5	12	-15	0.0±3.0	-40 to +85	5.0±0.25	15
CVCO33CL-0310-0360	310 to 360	-105	0.1 to 2.9	25	-15	0.0±3.0	-40 to +85	3.0±0.15	15
CVCO33CL-0320-0350	320 to 350	-110	0.5 to 4.5	12	-15	2.0±2.0	-40 to +85	5.0±0.25	20
CVCO33CL-0336-0340	336 to 340	-106	0.2 to 3.0	10	-10	3.0±3.0	-40 to +85	3.0±0.15	15
CVCO33CL-0350-0385	350 to 385	-110	0.5 to 4.5	12	-12	0.0±3.0	-40 to +85	5.0±0.25	15
CVCO33CL-0380-0400	380 to 400	-104	0.0 to 3.0	20	-15	3.0±1.5	-40 to +85	3.3±0.165	25
CVCO33CL-0390-0410	390 to 410	-105	0.5 to 4.5	12	-15	3.0±3.0	-40 to +85	5.0±0.25	15
CVCO33CL-0400-0440	400 to 440	-106	0.3 to 3.3	20	-15	3.0±2.0	-40 to +85	3.3±0.165	16
CVCO33CL-0415-0435	415 to 435	-103	0.5 to 4.5	12	-15	3.0±3.0	-40 to +85	5.0±0.25	15
CVCO33CL-0421-0431	421 to 431	-101	0.5 to 2.8	10	-15	3.0±2.0	-40 to +85	5.0±0.25	30
CVCO33CL-0430-0460	430 to 460	-106	0.3 to 3.3	18	-15	3.0±2.0	-40 to +85	3.3±0.165	16
CVCO33CL-0435-0470	435 to 470	-103	0.0 to 5.0	10	-10	3.0±3.0	-40 to +85	5.0±0.25	15
CVCO33CL-0453-0504	453 to 504	-109	0.5 to 4.5	24	-12	1.0±2.0	-40 to +85	2.8±0.14	22
CVCO33CL-0530-0600	530 to 600	-110	0.5 to 2.8	30	-10	0.0±3.0	-40 to +85	5.0±0.25	15
CVCO33CLT-0530-0600	530 to 600	-111	0.5 to 2.8	30	-10	0.0±3.0	-40 to +85	3.3±0.165	15
CVCO33CL-0559-0561	559 to 561	-95	0.5 to 4.5	12	-15	2.0±2.0	-40 to +85	5.0±0.25	15
CVCO33CL-0586-0654	586 to 654	-109	0.5 to 2.8	30	-10	0.0±3.0	-30 to +60	3.0±0.15	15
CVCO33CL-0620-0740	620 to 740	-104	0.5 to 4.5	35	-15	1.0±3.0	-40 to +85	5.0±0.25	10
CVCO33CL-0710-0740	710 to 740	-110	0.5 to 4.5	12	-15	2.5±2.5	-40 to +85	5.0±0.25	20
CVCO33CL-0720-0730	720 to 730	-107	0.5 to 4.5	10	-10	2.5±2.5	-40 to +85	5.0±0.25	20
CVCO33CL-0730-0750	730 to 750	-110	0.5 to 2.8	18	-10	0.0±3.0	-40 to +85	3.0±0.165	20
CVCO33CL-0732-0732	732 to 732	-109	0.3 to 2.8	18	-10	0.0±3.0	-40 to +85	3.3±0.165	20
CVCO33CL-0740-0740	740 to 740	-111	0.5 to 2.8	8	-20	4.0±2.0	-40 to +85	3.3±0.165	10
CVCO33CL-0750-0770	750 to 770	-103	0.5 to 2.5	30	-15	4.5±3.0	-40 to +85	2.7±0.125	11
CVCO33CL-0760-0860	760 to 860	-105	0.3 to 4.7	40	-15	-4.0±1.0	-40 to +85	2.8±0.14	22
CVCO33CL-0760-0880	760 to 880	-105	0.5 to 4.5	35	-15	3.0±2.0	-40 to +85	5.0±0.25	25
CVCO33CL-0770-0870	770 to 870	-108	0.0 to 10.0	10	-10	3.5±1.5	-40 to +85	5.0±0.25	12
CVCO33CL-0800-1000	800 to 1000	-102	0.0 to 10.0	100	-12	5.0±2.0	-40 to +85	5.0±0.25	30
CVCO33CL-0900-0940	900 to 940	-104	0.2 to 2.0	25	-10	3.0±2.0	-40 to +85	3.0±0.15	20
CVCO33CL-0998-1000	998 to 1000	-120	0.3 to 4.7	8	-10	0.0±3.0	-40 to +85	5.0±0.25	15
CVCO33CL-1036-1036	1036 to 1036	-104	0.5 to 2.8	8	-10	-2.5±2.5	-40 to +85	3.3±0.165	10
CVCO33CL-1060-1200	1060 to 1200	-105	0.3 to 3.0	75	-10	0.0±3.0	-40 to +85	3.3±0.165	15
CVCO33CL-1394-1429	1394 to 1429	-94	0.4 to 2.1	30	-15	5.0±2.0	-40 to +85	3.0±0.15	15
CVCO33CL-1400-1500	1400 to 1500	-94	0.3 to 4.7	30	-15	5.0±2.0	-40 to +85	3.0±0.15	15
CVCO33BE-1570-1670	1570 to 1670	-102	0.5 to 4.5	53	-15	6.0±2.0	-40 to +85	5.0±0.25	35
CVCO33BE-1662-1708	1662 to 1708	-106	0.5 to 4.5	20	-15	2.0±2.0	-40 to +85	5.0±0.25	20



Crystek Part Number	Frequency Range (MHz)	Phase Noise @ 10kHz offset Typ. (dBc/Hz)	Tuning Voltage (Vdc)	Kvco (MHz/V)	2nd Harm, Typ. (dBc)	Power Output (dBm)	Operating Temp (°C)	Supply Voltage Vcc (Vdc)	Supply Current Icc Max (mA)
CVCO33BE-1700-1850	1700 to 1850	-100	0.3 to 4.7	53	-10	5.0±3.0	-40 to +85	5.0±0.25	15
CVCO33BE-1823-1903	1823 to 1903	-95	0.3 to 2.55	53	-10	6.0±4.0	-40 to +85	3.4±0.17	15
CVCO33BE-1860-2180	1860 to 2180	-93	0.5 to 4.5	151	-15	6.0±2.0	-40 to +85	5.0±0.25	15
CVCO33BEQ-1860-2180	1860 to 2180	-97	0.5 to 4.5	151	-15	4.0±3.0	-40 to +85	3.3±0.165	35
CVCO33BE-1950-2400	1950 to 2400	-95	0.5 to 4.5	169	-15	3.0±3.0	-40 to +85	5.0±0.25	22
CVCO33CL-1966-1966	1966 to 1966	-93	1.0 to 2.5	9	-20	0.0±3.0	-40 to +85	4.7±0.20	14
CVCO33BE-2192-2276	2192 to 2276	-94	1.2 to 3.5	70	-8	8.0±3.0	-40 to +85	5.0±0.25	25
CVCO33BE-2200-2400	2200 to 2400	-100	0.5 to 4.5	70	-15	3.0±2.0	-40 to +85	5.0±0.25	20
CVCO33BE-2278-2381	2278 to 2381	-101	0.5 to 4.5	30	-15	2.0±2.0	-40 to +85	5.0±0.25	20
CVCO33BE-2352-2408	2352 to 2408	-101	0.5 to 4.5	20	-15	2.0±2.0	-40 to +85	5.0±0.25	20
CVCO33BE-2400-2500	2400 to 2500	-100	0.0 to 3.0	105	-20	3.0±2.0	-40 to +85	3.0±0.15	19
CVCO33BE-2512-2618	2512 to 2618	-100	0.5 to 4.5	32	-15	2.0±2.0	-40 to +85	5.0±0.25	20
CVCO33BE-2560-2760	2560 to 2760	-93	0.0 to 3.0	115	-15	3.0±1.5	-40 to +85	3.0±0.15	15
CVCO33BE-2600-2840	2600 to 2840	-95	0.3 to 4.7	105	-20	8.0±2.0	-40 to +85	5.0±0.25	35
CVCO33BE-2784-2908	2784 to 2908	-95	0.5 to 4.5	30	-20	3.5±3.5	-40 to +85	5.0±0.25	20
CVCO33BE-2949-2949	2949 to 2949	-93	1.0 to 2.5	70	-20	3.0±3.0	-40 to +85	4.7±0.20	15
CVCO33BE-3000-3100	3000 to 3100	-90	0.3 to 2.8	50	-15	-5.0±5.0	-40 to +85	3.0±0.15	10
CVCO33BEQ-3000-3100	3000 to 3100	-90	0.3 to 2.8	50	-15	10.0±2.0	-40 to +85	3.0±0.15	25
CVCO33BE-3377-3457	3377 to 3457	-90	0.5 to 2.5	48	-15	5.0±2.0	-40 to +85	3.3±0.33	18
CVCO33CC-3932-3932	3932 to 3932	-98	0.0 to 5.0	8	-15	3.0±3.0	-40 to +85	4.7±0.20	17
CVCO33BE-5000-5250	5000 to 5250	-84	0.5 to 4.5	183	-20	0.0±2.0	-40 to +85	5.0±0.25	40
CVCO33BE-5200-5200	5200 to 5200	-84	0.5 to 4.5	183	-20	3.0±3.0	-40 to +85	5.0±0.25	40
CVCO33BE-6000-6000	6000 to 6000	-85	0.5 to 4.5	183	-20	5.0±2.0	-40 to +85	5.0±0.25	40

Crystek Part Number	Frequency Range (MHz)	Phase Noise @ 10kHz offset Typ. (dBc/Hz)	Tuning Voltage (Vdc)	Kvco (MHz/V)	2nd Harm, Typ. (dBc)	Power Output (dBm)	Operating Temp (°C)	Supply Voltage Vcc (Vdc)	Supply Current Icc Max (mA)
CVCO45CL-0079-0111	79 to 111	-110	1.0 to 4.0	13	-10	3.0±7.0	-40 to +85	4.7±0.25	50
CVCO45CL-0100-0140	100 to 140	-105	0.0 to 5.0	10	-15	3.0±3.0	-40 to +85	3.0±0.25	15
CVCO45CL-0350-0460	350 to 460	-105	0.0 to 5.0	10	-15	3.0±3.0	-40 to +85	3.0±0.25	15
CVCO45CL-0421-0441	421 to 441	-100	0.5 to 2.7	15	-15	-3.0±3.0	-40 to +85	3.0±0.25	10
CVCO45CL-0430-0470	430 to 470	-104	0.0 to 4.5	18	-15	2.0±2.0	-40 to +85	5.0±0.25	10
CVCO45CL-0795-0825	795 to 825	-108	0.5 to 4.5	12	-15	0.0±3.0	-40 to +85	5.0±0.25	15
CVCO45CL-0900-0940	900 to 940	-104	0.5 to 4.5	28	-20	0.0±3.0	-40 to +85	5.0±0.25	17

Model CVCOT8
VCO Selector Guide
0.500" Dia.

Crystek Part Number	Frequency Range (MHz)	Phase Noise @ 10kHz offset Typ. (dBc/Hz)	Tuning Voltage (Vdc)	Kvco (MHz/V)	2nd Harm, Typ. (dBc)	Power Output (dBm)	Operating Temp (°C)	Supply Voltage Vcc (Vdc)	Supply Current Icc Max (mA)
CVCOT8BE-0800-1600	800 to 1600	-92	0.0 to 20.0	79	-10	10.0±3.0	-40 to +85	15.0±0.25	20
CVCOT8BE-2100-2200	2100 to 2200	-101	0.5 to 4.5	55	-15	0.0±3.3	-40 to +85	5.0±0.25	25
CVCOT8BE-2400-2500	2400 to 2500	-101	0.5 to 4.5	55	-15	0.0±3.0	-40 to +85	5.0±0.25	25
CVCOT8BE-2700-3400	2700 to 3400	-85	1.0 to 10.0	120	-12	10.0±2.0	-40 to +85	11.0±0.33	60



Crystek Part Number	Frequency Range (MHz)	Phase Noise @ 10kHz offset Typ. (dBc/Hz)	Tuning Voltage (Vdc)	Kvco (MHz/V)	2nd Harm, Typ. (dBc)	Power Output (dBm)	Operating Temp (°C)	Supply Voltage Vcc (Vdc)	Supply Current Icc Max (mA)
CVCO55CL-0038-0042	38 to 42	-116	0.5 to 4.5	3	-20	5.0±2.0	-40 to +85	5.0±0.25	8
CVCO55CL-0042-0046	42 to 46	-116	0.5 to 4.5	3	-13	-1.0±2.0	-40 to +85	5.0±0.25	8
CVCO55CL-0042-0052	42 to 52	-110	0.5 to 4.5	2.5	-10	5.0±3.0	-40 to +85	5.0±0.25	15
CVCO55CL-0045-0070	45 to 70	-115	0.5 to 10.5	4	-10	5.0±3.0	-40 to +85	5.0±0.25	15
CVCO55CL-0060-0110	60 to 110	-115	0.5 to 9.5	8	-10	8.0±3.0	-40 to +85	5.0±0.25	25
CVCO55CL-0072-0076	72 to 76	-110	0.3 to 3.0	7	-15	0.0±2.0	-40 to +85	3.3±0.165	7
CVCO55FL-0075-0085	75 to 85	-123	0.5 to 4.5	5	-20	9.0±2.0	-40 to +85	5.0±0.25	25
CVCO55CL-0085-0085	85 to 85	-120	1.0 to 4.0	3	-20	9.0±3.0	-40 to +85	8.0±0.25	25
CVCO55CL-0085-0088	85 to 88	-120	1.0 to 4.0	5	-10	9.0±3.0	-40 to +85	8.0±0.40	25
CVCO55CL-0090-0100	90 to 100	-119	0.5 to 4.5	8	-10	8.0±3.0	-40 to +85	5.0±0.25	25
CVCO55CL-0100-0110	100 to 110	-119	0.5 to 4.5	8	-10	8.0±3.0	-40 to +85	5.0±0.25	25
CVCO55CW-0100-0160	100 to 160	-100	1.0 to 4.0	25	-10	8.0±2.5	-40 to +85	5.0±0.25	25
CVCO55CW-0100-0200	100 to 200	-108	0.0 to 5.0	25	-10	4.0±4.0	-40 to +85	5.0±0.25	25
CVCO55CL-0110-0120	110 to 120	-119	0.5 to 4.5	8	-10	8.0±3.0	-40 to +85	5.0±0.25	15
CVCO55CL-0116-0123	116 to 123	-120	1.0 to 4.0	3	-20	9.0±3.0	-40 to +85	8.0±0.40	25
CVCO55CL-0120-0130	120 to 130	-119	0.5 to 4.5	8	-10	8.0±3.0	-40 to +85	5.0±0.25	25
CVCO55CL-0120-0165	120 to 165	-103	0.5 to 6.0	11	-30	8.0±2.0	-40 to +85	5.0±0.25	10
CVCO55CL-0128-0263	128 to 263	-106	0.2 to 11.2	13	-14	3.0±3.0	-40 to +85	5.0±0.25	15
CVCO55FL-0136-0174	136 to 174	-123	0.5 to 4.5	10	-20	9.0±2.0	-40 to +85	5.0±0.25	25
CVCO55FLM-0137-0171	137 to 171	-118	0.5 to 4.5	15	-15	0.0±3.0	-30 to +75	5.0±0.25	20
CVCO55CW-0140-0250	140 to 250	-100	0.5 to 10.0	10	-14	3.0±2.0	-40 to +85	5.0±0.25	15
CVCO55FL-0150-0156	150 to 156	-125	0.5 to 4.5	4	-20	9.0±2.0	-40 to +85	5.0±0.25	15
CVCO55FLM-0150-0195	150 to 195	-118	0.5 to 4.5	17	-15	0.0±3.0	-30 to +75	5.0±0.25	20
CVCO55CL-0150-0200	150 to 200	-115	0.3 to 4.7	16	-15	4.0±4.0	-40 to +85	5.0±0.25	35
CVCO55FL-0160-0219	160 to 219	-122	0.5 to 4.5	18	-15	4.0±2.0	-40 to +85	5.0±0.25	35
CVCO55CW-0160-0400	160 to 400	-105	0.2 to 20.0	20	-10	7.0±3.5	-25 to +80	5.0±0.25	40
CVCO55CL-0169-0179	169 to 179	-115	0.5 to 4.5	5	-15	2.5±2.5	-40 to +85	3.0±0.15	7
CVCO55FL-0169-0218	169 to 218	-110	0.2 to 2.8	35	-20	0.0±2.0	-30 to +70	3.0±0.15	9
CVCO55FLM-0172-0210	172 to 210	-119	0.2 to 4.8	35	-20	0.0±3.0	-30 to +70	3.0±0.15	9
CVCO55CL-0180-0200	180 to 200	-110	0.5 to 4.5	8	-10	2.0±2.0	-40 to +85	5.0±0.25	15
CVCO55CL-0184-0190	184 to 190	-110	0.0 to 5.0	3	-20	0.0±3.0	-40 to +85	5.0±0.25	15
CVCO55CL-0189-0199	189 to 199	-115	0.5 to 4.5	5	-15	0.0±3.0	-40 to +85	3.0±0.15	10
CVCO55FL-0200-0239	200 to 239	-123	0.5 to 4.5	10	-20	9.0±2.0	-40 to +85	5.0±0.25	25
CVCO55CL-0200-0400	200 to 400	-109	0.0 to 5.0	50	-10	3.0±3.0	-40 to +85	5.0±0.25	15
CVCO55CW-0200-0400	200 to 400	-105	0.0 to 5.0	50	-10	3.0±3.0	-40 to +85	5.0±0.25	15
CVCO55CW-0200-0500	200 to 500	-106	0.5 to 18.0	20	-5	6.0±4.0	-40 to +85	12.0±0.60	25
CVCO55CL-0209-0277	209 to 277	-112	0.3 to 4.7	20	-15	5.0±3.0	-40 to +85	7.0±0.35	15
CVCO55CL-0211-0221	211 to 221	-115	0.5 to 4.5	5	-15	2.5±2.5	-40 to +85	3.0±0.15	10
CVCO55CL-0217-0276	217 to 276	-110	0.5 to 4.5	20	-15	4.0±2.0	-40 to +85	5.0±0.25	15
CVCO55CL-0225-0425	225 to 425	-100	0.5 to 6.5	75	-15	-10±3.0	-40 to +85	7.0±0.25	12
CVCO55CW-0250-0450	250 to 450	-96	0.3 to 4.7	50	-15	0.0±3.0	-40 to +85	5.0±0.25	12
CVCO55CW-0250-0500	250 to 500	-96	0.3 to 4.7	50	-15	0.0±3.0	-40 to +85	5.0±0.25	12
CVCO55CL-0260-0285	260 to 285	-110	0.5 to 4.5	20	-15	4.75±3.75	-40 to +85	4.5±0.25	25
CVCO55CL-0305-0345	305 to 345	-111	0.5 to 4.5	21	-10	6.5±3.5	-40 to +85	5.0±0.25	13
CVCO55BE-0325-0775	325 to 775	-105	0.0 to 12.0	45	-10	7.0±2.0	-40 to +85	12.0±0.25	25
CVCO55CL-0350-0405	350 to 405	-110	0.5 to 5.0	39	-3	7.25±2.75	-40 to +85	5.0±0.25	15



Crystek Part Number	Frequency Range (MHz)	Phase Noise @ 10kHz offset Typ. (dBc/Hz)	Tuning Voltage (Vdc)	Kvco (MHz/V)	2nd Harm, Typ. (dBc)	Power Output (dBm)	Operating Temp (°C)	Supply Voltage Vcc (Vdc)	Supply Current Icc Max (mA)
CVCO55CL-0370-0450	370 to 450	-110	0.5 to 4.5	35	-4	7.0±2.0	-40 to +85	5.0±0.25	15
CVCO55CL-0370-0490	370 to 490	-112	0.3 to 4.7	40	-20	-2.5±2.5	-30 to +60	5.0±0.25	40
CVCO55CL-0375-0420	375 to 420	-111	0.5 to 4.5	30	-10	8.0±2.0	-40 to +85	5.0±0.25	22
CVCO55CC-0380-0440	380 to 440	-117	0.3 to 4.7	16	-10	-5.0±2.0	-30 to +70	5.0±0.25	30
CVCO55CC-0391-0456	391 to 456	-117	0.3 to 4.7	16	-10	-5.0±2.0	-30 to +70	5.0±0.25	30
CVCO55CL-0393-0428	393 to 428	-110	0.5 to 4.5	15	-12	3.0±3.0	-40 to +85	5.0±0.25	8
CVCO55BE-0400-0500	400 to 500	-109	0.0 to 5.0	30	-10	4.0±2.0	-40 to +85	5.0±0.25	22
CVCO55CW-0400-0800	400 to 800	-105	0.0 to 12.0	47	-5	7.0±5.0	-10 to +70	5.0±0.25	17
CVCO55BE-0400-0800	400 to 800	-105	0.0 to 12.0	47	-5	7.0±5.0	-10 to +70	5.0±0.25	17
CVCO55CW-0400-1300	400 to 1300	-94	0.1 to 26.0	50	-10	7.0±3.5	-20 to +70	5.0±0.25	40
CVCO55CL-0420-0540	420 to 540	-112	0.5 to 4.5	40	-20	-2.5±2.5	-30 to +60	5.0±0.25	40
CVCO55CC-0430-0480	430 to 480	-117	0.3 to 4.7	17	-15	-5.0±2.0	-30 to +70	5.0±0.25	45
CVCO55CL-0433-0485	433 to 485	-114	0.3 to 4.7	20	-20	5.0±2.0	-30 to +85	5.0±0.25	12
CVCO55CL-0434-0452	434 to 452	-110	1.5 to 3.5	18	-15	0.0±4.0	-40 to +85	5.0±0.25	25
CVCO55CC-0440-0505	440 to 505	-117	0.3 to 4.7	16	-10	-5.0±2.0	-30 to +70	5.0±0.25	40
CVCO55CL-0440-0521	440 to 521	-113	0.5 to 4.5	22	-15	0.0±3.0	-40 to +85	5.0±0.25	20
CVCO55CC-0444-0485	444 to 485	-117	0.3 to 4.7	12	-20	-5.0±1.0	-30 to +70	5.0±0.10	40
CVCO55CC-0445-0508	445 to 508	-117	0.3 to 4.7	17	-20	-5.0±1.0	-30 to +70	5.0±0.10	40
CVCO55CL-0450-0470	450 to 470	-110	1.5 to 3.5	20	-15	0.0±4.0	-40 to +85	5.0±0.25	25
CVCO55CLX-0450-0470	450 to 470	-116	0.5 to 4.5	20	-12	0.0±3.0	-40 to +85	3.3±0.16	12
CVCO55CL-0460-0485	460 to 485	-118	0.5 to 4.5	8	-10	2.5±2.5	-40 to +85	5.0±0.25	22
CVCO55CL-0462-0588	462 to 588	-113	0.5 to 4.5	15	-12	5.0±3.0	-40 to +85	5.0±0.25	30
CVCO55CL-0467-0493	467 to 493	-96	0.5 to 4.5	15	-12	3.0±3.0	-40 to +85	5.0±0.25	15
CVCO55CL-0470-0520	470 to 520	-109	0.5 to 4.5	24	-7	1.0±2.0	-30 to +80	2.0±0.10	10
CVCO55CL-0482-0498	482 to 498	-118	0.5 to 4.5	8	-10	2.5±2.5	-40 to +85	5.0±0.25	22
CVCO55CL-0490-0540	490 to 540	-108	0.5 to 4.5	31	-12	3.0±3.0	-40 to +85	5.0±0.25	15
CVCO55CL-0500-0520	500 to 520	-117	0.3 to 4.7	8	-15	5.0±3.0	-40 to +85	5.0±0.25	40
CVCO55CW-0500-1000	500 to 1000	-104	0.5 to 18.0	60	-5	7.0±3.0	-40 to +85	12.0±0.60	20
CVCO55BE-0510-0770	510 to 770	-106	1.0 to 8.0	58	-5	6.5±4.5	-40 to +85	9.0±0.45	14
CVCO55BE-0510-0790	510 to 790	-105	1.0 to 8.0	58	-10	3.0±1.5	-40 to +85	8.0±0.25	20
CVCO55BE-0510-0900	510 to 900	-103	1.5 to 9.0	55	-20	10.0±2.5	-40 to +85	12.0±0.6	29
CVCO55BE-0530-0710	530 to 710	-105	0.5 to 4.5	100	-5	5.0±3.0	-40 to +85	5.0±0.25	20
CVCO55CL-0535-0560	535 to 560	-110	0.2 to 4.7	18	-12	1.5±1.5	-40 to +85	5.0±0.25	16
CVCO55CL-0540-0560	540 to 560	-117	0.5 to 4.7	8	-15	5.0±3.0	-40 to +85	5.0±0.25	40
CVCO55CL-0575-0675	575 to 675	-109	0.3 to 4.7	30	-15	2.5±2.5	-40 to +85	5.0±0.25	24
CVCO55CL-0600-0660	600 to 660	-105	0.3 to 4.7	22	-15	2.0±2.0	-40 to +85	5.0±0.25	20
CVCO55CL-0600-0880	600 to 880	-100	0.5 to 4.5	60	-10	3.0±3.0	-40 to +85	5.0±0.25	20
CVCO55CW-0600-1200	600 to 1200	-98	0.5 to 18.0	45	-20	5.0±3.0	-40 to +75	12.0±0.6	35
CVCO55CC-0612-0617	612 to 617	-123	0.5 to 4.5	6	-15	-5.0±1.0	-40 to +85	5.0±0.25	30
CVCO55BE-0633-0653	633 to 653	-110	0.3 to 4.7	25	-15	0.0±3.0	-40 to +85	5.0±0.25	15
CVCO55CL-0640-0690	640 to 690	-100	0.5 to 4.5	30	-12	6.5±1.5	-40 to +85	5.0±0.25	25
CVCO55CL-0655-0730	655 to 730	-110	0.3 to 4.7	25	-8	2.0±2.0	-40 to +85	5.0±0.25	30
CVCO55CL-0660-0660	660 to 660	-110	1.0 to 4.0	13	-20	9.0±3.0	-40 to +85	8.0±0.40	25
CVCO55CL-0680-0720	680 to 720	-109	0.5 to 4.5	29	-15	2.0±2.0	-40 to +85	5.0±0.25	25
CVCO55CL-0689-0704	689 to 704	-118	0.4 to 4.6	20	-15	0.0±3.0	-40 to +85	5.0±0.25	35
CVCO55CC-0710-0725	710 to 725	-118	0.5 to 4.5	10	-25	0.0±3.0	-40 to +85	5.0±0.25	30



Crystek Part Number	Frequency Range (MHz)	Phase Noise @ 10kHz offset Typ. (dBc/Hz)	Tuning Voltage (Vdc)	Kvco (MHz/V)	2nd Harm, Typ. (dBc)	Power Output (dBm)	Operating Temp (°C)	Supply Voltage Vcc (Vdc)	Supply Current Icc Max (mA)
CVCO55CL-0736-0744	736 to 744	-115	0.5 to 4.5	12	-15	4.0±2.0	-40 to +85	8.0±0.40	25
CVCO55CL-0740-0750	740 to 750	-115	0.5 to 4.5	3	-15	0.0±2.0	-30 to +70	5.0±0.25	25
CVCO55CL-0760-0860	760 to 860	-105	0.3 to 4.7	40	-15	-4.0±1.0	-40 to +85	2.0±0.10	22
CVCO55CM-0760-0870	760 to 870	-110	0.4 to 4.7	30	-15	0.0±2.0	-40 to +85	5.0±0.25	25
CVCO55CC-0775-0800	775 to 800	-123	0.3 to 4.7	6	-15	-5.0±2.0	-30 to +70	5.0±0.25	30
CVCO55CL-0777-0797	777 to 797	-120	0.4 to 4.6	20	-15	0.0±3.0	-40 to +85	5.0±0.25	35
CVCO55CL-0777-0880	777 to 880	-110	0.5 to 4.5	35	-15	-3.0±3.0	-40 to +85	5.0±0.25	20
CVCO55CC-0777-0880	777 to 880	-110	0.5 to 4.5	35	-15	-3.0±3.0	-40 to +70	5.0±0.25	13
CVCO55CL-0785-0795	785 to 795	-115	0.5 to 4.5	3	-15	0.0±2.0	-30 to +70	5.0±0.25	25
CVCO55CC-0787-0805	787 to 805	-122	0.3 to 4.7	8	-15	-6.5±1.0	-30 to +70	5.0±0.10	35
CVCO55CLM-0800-0820	800 to 820	-115	0.3 to 4.7	9	-15	0.0±2.0	-30 to +70	5.0±0.25	25
CVCO55CC-0800-0825	800 to 825	-122	0.5 to 4.5	8	-15	-5.0±1.0	-40 to +85	5.0±0.25	30
CVCO55CL-0800-0980	800 to 980	-100	0.5 to 5.0	75	-22	3.0±3.0	-40 to +85	5.0±0.25	25
CVCO55BE-0800-1600	800 to 1600	-100	0.5 to 19.0	60	-10	6.0±2.0	-40 to +85	11.5±0.50	30
CVCO55CW-0800-1600	800 to 1600	-100	0.5 to 19.0	60	-10	6.0±2.0	-40 to +85	11.5±0.50	30
CVCO55CWQ-0800-1600	800 to 1600	-100	0.5 to 12.0	87	-10	3.0±2.0	-40 to +85	5.0±0.25	30
CVCO55CWT-0800-1600	800 to 1600	-100	0.5 to 12.0	87	-10	6.0±2.0	-40 to +85	10.0±0.50	30
CVCO55CWR-0800-1600	800 to 1600	-100	0.5 to 19.0	60	-10	5.0±4.0	-40 to +85	5.0±0.25	20
CVCO55CC-0805-0815	805 to 815	-124	0.3 to 4.7	5	-15	-5.0±2.0	-30 to +70	5.0±0.25	30
CVCO55CL-0805-0900	805 to 900	-105	0.5 to 5.0	30	-15	2.0±3.0	-40 to +85	5.0±0.25	20
CVCO55CC-0827-0840	827 to 840	-124	0.2 to 4.7	5	-18	-6.5±1.5	-30 to +70	5.0±0.25	35
CVCO55CL-0830-0970	830 to 970	-106	0.5 to 4.5	52	-15	4.0±3.0	-40 to +85	5.0±0.25	20
CVCO55CLM-0840-0870	840 to 870	-115	0.3 to 4.7	14	-15	0.0±2.0	-30 to +70	5.0±0.25	25
CVCO55CL-0845-0875	845 to 875	-113	0.5 to 4.5	15	-15	3.0±3.0	-30 to +85	5.0±0.25	15
CVCO55CC-0860-0960	860 to 960	-113	0.5 to 4.5	27	-10	4.0±2.0	-40 to +85	5.0±0.25	30
CVCO55CL-0890-0960	890 to 960	-110	0.5 to 4.5	27	-20	2.0±2.0	-40 to +85	5.0±0.25	27
CVCO55CC-0895-0950	895 to 950	-114	0.3 to 4.7	22	-15	-5.0±2.0	-30 to +70	5.0±0.25	12
CVCO55CT-0902-0928	902 to 928	-110	0.3 to 4.7	8	-15	12.0±2.0	-40 to +85	12.0±0.25	20
CVCO55CL-0902-0928	902 to 928	-110	0.3 to 4.7	8	-15	12.0±2.0	-40 to +85	12.0±0.25	20
CVCO55CL-0920-0980	920 to 980	-105	1.0 to 5.0	30	-12	5.0±2.0	-40 to +85	5.0±0.25	35
CVCO55CL-0925-0970	925 to 970	-110	0.5 to 4.5	13	-15	5.0±3.0	-40 to +85	5.0±0.25	20
CVCO55CL-0930-0990	930 to 990	-110	0.0 to 3.3	30	-15	2.5±2.5	-40 to +85	3.3±0.165	24
CVCO55CW-0950-1650	950 to 1650	-100	0.0 to 11.0	90	-35	3.0±3.0	-40 to +85	5.0±0.25	25
CVCO55BE-0950-2050	950 to 2050	-99	0.0 to 15.0	80	-30	2.0±3.0	-40 to +85	10.0±0.50	20
CVCO55BES-0950-2050	950 to 2050	-99	0.0 to 15.0	80	-30	2.0±3.0	-40 to +85	10.0±0.50	20
CVCO55CLS-0954-0980	954 to 980	-100	0.5 to 2.5	33	-10	0.0±3.0	-40 to +85	3.0±0.15	8
CVCO55BE-0960-1200	960 to 1200	-96	0.5 to 4.5	150	-10	3.0±3.0	-40 to +85	3.0±0.15	8
CVCO55BE-0960-1330	960 to 1330	-106	0.5 to 20.0	38	-15	3.0±3.0	-40 to +85	8.0±0.40	40
CVCO55CL-0965-0995	965 to 995	-114	0.5 to 5.0	16	-24	4.5±3.0	-40 to +85	5.0±0.25	32
CVCO55CC-0971-0975	971 to 975	-117	0.3 to 4.7	7	-15	3.0±3.0	-40 to +85	5.0±0.25	35
CVCO55CC-1000-1250	1000 to 1250	-110	2.0 to 12.0	30	-12	0.0±2.0	-40 to +85	8.0±0.40	30
CVCO55CW-1000-1500	1000 to 1500	-95	0.5 to 4.5	150	-15	3.0±3.0	-40 to +85	3.0±0.15	10
CVCO55BE-1000-1500	1000 to 1500	-96	0.5 to 4.5	150	-15	3.0±3.0	-40 to +85	3.0±0.15	10
CVCO55BES-1000-2000	1000 to 2000	-100	1.0 to 20.0	53	-10	5.5±2.5	-40 to +85	10.0±0.25	25
CVCO55CW-1000-2000	1000 to 2000	-100	1.0 to 20.0	52	-10	5.5±2.5	-40 to +85	10.0±0.25	25
CVCO55BE-1000-2000	1000 to 2000	-100	1.0 to 20.0	52	-10	5.5±2.5	-40 to +80	10.0±0.25	25

Crystek Part Number	Frequency Range (MHz)	Phase Noise @ 10kHz offset Typ. (dBc/Hz)	Tuning Voltage (Vdc)	Kvco (MHz/V)	2nd Harm, Typ. (dBc)	Power Output (dBm)	Operating Temp (°C)	Supply Voltage Vcc (Vdc)	Supply Current Icc Max (mA)
CVCO55CL-1030-1090	1030 to 1090	-110	0.5 to 4.5	21	-15	0.0±3.0	-40 to +85	5.0±0.25	35
CVCO55CL-1047-1053	1047 to 1053	-110	1.5 to 3.5	10	-30	0.0±2.0	-40 to +85	5.0±0.25	25
CVCO55CL-1073-1086	1073 to 1086	-115	0.5 to 4.5	10	-30	3.0±1.5	-40 to +80	5.0±0.25	20
CVCO55CL-1088-1144	1088 to 1144	-110	0.3 to 4.7	21	-15	0.0±2.0	-40 to +85	5.0±0.25	30
CVCO55CL-1090-1145	1090 to 1145	-110	0.3 to 4.7	21	-15	0.0±3.0	-40 to +85	5.0±0.25	35
CVCO55CL-1090-1235	1090 to 1235	-104	0.0 to 5.0	40	-20	5.0±2.0	-40 to +85	5.0±0.25	25
CVCO55CL-1100-1200	1100 to 1200	-104	0.0 to 5.0	35	-25	2.0±2.0	-40 to +85	5.0±0.25	25
CVCO55BE-1100-1400	1100 to 1400	-99	0.5 to 4.5	130	-10	7.5±2.5	-40 to +85	5.0±0.25	20
CVCO55BE-1100-1600	1100 to 1600	-100	0.5 to 9.5	50	-10	8.5±2.5	-40 to +80	10.0±0.50	25
CVCO55CW-1100-1600	1100 to 1600	-100	0.5 to 9.5	56	-10	8.5±2.5	-40 to +85	10.0±0.50	25
CVCO55CW-1100-2100	1100 to 2100	-100	1.0 to 20.0	67	-10	5.5±2.5	-40 to +80	10.0±0.25	25
CVCO55BE-1100-2100	1100 to 2100	-100	1.0 to 20.0	67	-10	5.5±2.5	-40 to +80	10.0±0.25	25
CVCO55BE-1120-1300	1120 to 1300	-103	0.5 to 4.5	60	-15	0.0±3.0	-30 to +65	5.0±0.25	20
CVCO55CL-1145-1210	1145 to 1210	-106	0.5 to 4.5	50	-15	4.0±2.0	-40 to +85	5.0±0.25	35
CVCO55CW-1160-2160	1160 to 2160	-97	0.5 to 20.0	77	-11	5.5±2.5	-40 to +85	10.0±0.50	30
CVCO55CL-1165-1175	1165 to 1175	-110	0.5 to 4.5	10	-20	2.5±2.5	-40 to +85	5.0±0.25	40
CVCO55CL-1166-1206	1166 to 1206	-103	0.3 to 3.0	22	-15	4.0±2.0	-40 to +85	3.3±0.33	20
CVCO55CL-1186-1196	1186 to 1196	-103	0.3 to 3.0	10	-15	4.0±2.0	-40 to +85	3.3±0.33	20
CVCO55CL-1186-1206	1186 to 1206	-103	0.3 to 3.0	15	-15	4.0±2.0	-40 to +85	3.3±0.33	20
CVCO55CL-1188-1212	1188 to 1212	-110	0.0 to 8.0	15	-20	8.0±2.0	-40 to +85	12.0±0.25	20
CVCO55CL-1200-1200	1200 to 1200	-110	1.0 to 4.0	5	-15	7.5±3.5	-40 to +85	8.0±0.4	40
CVCO55BE-1200-2100	1200 to 2100	-95	0.5 to 25.0	45	-8	6.0±3.5	-40 to +85	12.0±0.5	35
CVCO55BE-1200-2300	1200 to 2300	-100	0.5 to 20.0	58	-10	4.0±2.0	-40 to +80	5.0±0.25	25
CVCO55CW-1200-2300	1200 to 2300	-100	0.5 to 20.0	58	-10	4.0±2.0	-40 to +85	5.0±0.25	25
CVCO55CL-1220-1490	1220 to 1490	-105	1.0 to 20.0	20	-15	3.0±1.5	-40 to +85	8.0±0.25	20
CVCO55BE-1235-1355	1235 to 1355	-106	0.5 to 4.5	50	-15	4.0±2.0	-40 to +85	5.0±0.25	35
CVCO55CL-1238-1278	1238 to 1278	-103	0.3 to 3.0	22	-15	4.0±2.0	-40 to +85	3.3±0.33	20
CVCO55CL-1248-1268	1248 to 1268	-103	0.3 to 3.0	15	-15	4.0±2.0	-40 to +85	3.3±0.33	20
CVCO55BE-1250-1750	1250 to 1750	-100	0.0 to 20.0	35	-15	4.0±2.0	-20 to +70	5.0±0.25	25
CVCO55CL-1256-1264	1256 to 1264	-112	0.5 to 4.5	15	-15	5.0±2.0	0 to +70	5.0±0.25	20
CVCO55CC-1260-1400	1260 to 1400	-115	0.5 to 12.0	14	-20	3.0±2.0	-30 to +70	8.0±0.25	25
CVCO55CC-1277-1433	1277 to 1433	-115	0.5 to 15.0	14	-20	3.0±2.0	-30 to +70	8.0±0.25	25
CVCO55BE-1277-1691	1277 to 1691	-104	0.5 to 14.0	45	-15	4.0±2.0	-40 to +85	5.0±0.25	10
CVCO55BE-1280-1460	1280 to 1460	-100	0.5 to 4.5	60	-15	0.0±3.0	-30 to +65	5.0±0.25	20
CVCO55CW-1300-2700	1300 to 2700	-92	0.5 to 25.0	70	-15	3.0±4.0	-40 to +85	5.0±0.25	35
CVCO55BE-1350-1400	1350 to 1400	-100	0.5 to 4.5	20	-15	7.0±5.0	-40 to +85	5.0±0.25	20
CVCO55CW-1350-2100	1350 to 2100	-100	0.5 to 18.0	70	-13	5.0±3.0	-40 to +75	8.0±0.40	35
CVCO55CL-1360-1380	1360 to 1380	-108	0.3 to 4.7	8	-15	6.0±2.0	-40 to +85	8.0±0.40	30
CVCO55CC-1370-1400	1370 to 1400	-114	0.5 to 4.5	15	-25	2.0±2.0	-40 to +85	5.0±0.25	30
CVCO55CC-1372-1427	1372 to 1427	-112	0.3 to 4.7	21	-15	3.0±3.0	-40 to +85	5.0±0.25	25
CVCO55BE-1400-1624	1400 to 1624	-102	0.3 to 4.7	65	-10	0.0±3.0	-30 to +85	5.0±0.25	30
CVCO55CC-1420-1480	1420 to 1480	-115	1.0 to 10.0	12	-15	5.0±3.0	-40 to +85	8.0±0.40	35
CVCO55CC-1435-1491	1435 to 1491	-112	0.3 to 4.7	21	-15	3.0±3.0	-40 to +85	5.0±0.25	25
CVCO55CL-1440-1470	1440 to 1470	-110	1.0 to 5.0	16	-27	-2.5±4.0	-40 to +85	5.0±0.25	28
CVCO55BE-1440-1620	1440 to 1620	-100	0.5 to 4.5	80	-15	0.0±3.0	-40 to +85	5.0±0.25	20
CVCO55BE-1440-1670	1440 to 1670	-100	0.5 to 4.5	99	-13	4.0±2.0	-40 to +85	5.0±0.25	12

Crystek Part Number	Frequency Range (MHz)	Phase Noise @ 10kHz offset Typ. (dBc/Hz)	Tuning Voltage (Vdc)	Kvco (MHz/V)	2nd Harm, Typ. (dBc)	Power Output (dBm)	Operating Temp (°C)	Supply Voltage Vcc (Vdc)	Supply Current Icc Max (mA)
CVCO55CC-1443-1523	1443 to 1523	-118	1.0 to 11.0	10	-15	2.0±2.0	-30 to +70	11.5±0.25	29
CVCO55BE-1480-1600	1480 to 1600	-99	0.5 to 4.5	65	-12	6.5±1.5	-40 to +85	5.0±0.25	30
CVCO55CL-1487-1587	1487 to 1587	-103	0.3 to 4.7	40	-22	3.0±3.0	-40 to +85	5.0±0.25	33
CVCO55CC-1490-1550	1490 to 1550	-115	1.0 to 10.0	15	-15	5.0±3.0	-40 to +85	8.0±0.25	35
CVCO55BE-1500-1900	1500 to 1900	-87	0.0 to 10.0	60	-15	6.5±1.5	-40 to +85	5.0±0.25	30
CVCO55CL-1505-1540	1505 to 1540	-110	0.5 to 4.5	20	-25	4.0±3.0	-40 to +85	5.0±0.25	35
CVCO55CC-1515-1600	1515 to 1600	-116	0.5 to 10.0	13	-15	0.0±3.0	-30 to +70	5.0±0.25	25
CVCO55BE-1520-1635	1520 to 1635	-100	0.5 to 4.5	45	-15	2.5±2.5	-40 to +85	5.0±0.25	35
CVCO55BE-1530-2700	1530 to 2700	-87	0.5 to 10.0	140	-15	6.5±1.5	-40 to +75	5.0±0.25	30
CVCO55CC-1536-1536	1536 to 1536	-122	0.3 to 4.7	10	-15	2.5±2.5	-40 to +85	5.0±0.25	30
CVCO55BE-1550-1650	1550 to 1650	-102	0.5 to 4.5	45	-15	2.0±2.0	-40 to +85	5.0±0.25	20
CVCO55BE-1550-2050	1550 to 2050	-106	0.5 to 15.5	36	-15	2.5±2.5	-40 to +85	8.0±0.40	30
CVCO55CW-1550-2500	1550 to 2500	-95	0.5 to 9.5	115	-7	6.0±3.0	-40 to +85	10.0±0.25	13
CVCO55BE-1550-2500	1550 to 2500	-93	0.5 to 9.5	115	-7	6.0±3.0	-40 to +85	10.0±0.25	13
CVCO55CC-1560-1615	1560 to 1615	-112	0.3 to 4.7	21	-15	3.0±3.0	-40 to +85	5.0±0.25	25
CVCO55BE-1565-1585	1565 to 1585	-103	0.3 to 3.0	15	-15	4.0±2.0	-40 to +85	5.0±0.25	20
CVCO55CC-1581-1581	1581 to 1581	-120	0.5 to 4.5	7	-15	2.5±2.5	-40 to +85	5.0±0.25	25
CVCO55CC-1600-1600	1600 to 1600	-122	0.3 to 4.7	10	-15	2.5±2.5	-40 to +85	5.0±0.25	30
CVCO55CC-1600-1650	1600 to 1650	-116	0.5 to 4.5	15	-15	2.5±2.5	-40 to +85	5.0±0.25	30
CVCO55BE-1600-1780	1600 to 1780	-100	0.5 to 4.5	68	-15	0.0±3.0	-40 to +85	5.0±0.25	20
CVCO55BE-1600-1850	1600 to 1850	-103	0.25 to 4.75	85	-20	1.5±3.5	-40 to +85	4.5±0.25	25
CVCO55CW-1600-2700	1600 to 2700	-98	1.0 to 20.0	84	-15	5.0±5.0	-40 to +85	10.0±0.50	22
CVCO55BE-1600-2700	1600 to 2700	-98	1.0 to 20.0	84	-15	5.0±5.0	-40 to +85	10.0±0.50	22
CVCO55BE-1600-2950	1600 to 2950	-95	0.5 to 20.0	85	-15	5.0±3.0	-40 to +85	5.0±0.25	25
CVCO55BE-1600-3200	1600 to 3200	-93	0.5 to 20.0	100	-15	5.0±3.0	-20 to +70	5.0±0.25	25
CVCO55CW-1600-3200	1600 to 3200	-93	0.5 to 20.0	100	-15	5.0±3.0	-20 to +70	5.0±0.25	25
CVCO55CC-1613-1678	1613 to 1678	-110	0.5 to 4.5	20	-15	3.0±3.0	-40 to +85	5.0±0.25	25
CVCO55CC-1620-1620	1620 to 1620	-120	0.3 to 4.7	10	-15	2.5±2.5	-40 to +85	5.0±0.25	25
CVCO55CCQ-1620-1620	1620 to 1620	-125	1.0 to 11.0	10	-15	2.0±2.0	-40 to +85	5.0±0.25	30
CVCO55CC-1623-1678	1623 to 1678	-112	0.3 to 4.7	20	-15	3.0±3.0	-40 to +85	5.0±0.25	25
CVCO55CC-1630-1630	1630 to 1630	-120	0.3 to 4.7	10	-15	2.5±2.5	-40 to +85	5.0±0.25	25
CVCO55BE-1630-1665	1630 to 1665	-102	0.5 to 4.5	45	-20	4.0±2.0	-40 to +85	5.0±0.25	15
CVCO55CC-1640-1700	1640 to 1700	-115	1.0 to 10.0	10	-15	5.0±3.0	-40 to +85	8.0±0.40	35
CVCO55BE-1640-1840	1640 to 1840	-101	0.5 to 4.5	85	-15	3.0±2.0	-40 to +85	5.0±0.25	10
CVCO55BE-1650-1850	1650 to 1850	-105	0.5 to 10.0	25	-12	3.0±2.0	-40 to +85	5.0±0.25	25
CVCO55BE-1650-2050	1650 to 2050	-105	0.0 to 20.0	25	-15	-2.5±2.5	-40 to +75	8.0±0.40	28
CVCO55BE-1650-2150	1650 to 2150	-95	0.5 to 4.5	160	-15	5.0±3.0	-40 to +85	5.0±0.25	22
CVCO55BE-1658-1662	1658 to 1662	-104	0.5 to 2.0	20	-15	6.0±2.0	-40 to +85	8.0±0.20	35
CVCO55BE-1660-1760	1660 to 1760	-100	0.3 to 4.7	45	-15	2.5±2.5	-40 to +85	5.0±0.25	35
CVCO55CW-1662-2432	1662 to 2432	-100	1.0 to 28.0	37	-35	5.5±2.5	-40 to +85	10.0±0.50	35
CVCO55CC-1680-1680	1680 to 1680	-117	0.5 to 4.5	9	-15	2.5±2.5	-40 to +85	5.0±0.25	20
CVCO55BE-1680-1740	1680 to 1740	-103	0.5 to 4.5	70	-15	3.0±3.0	-40 to +75	5.0±0.25	15
CVCO55CC-1690-1690	1690 to 1690	-120	0.3 to 4.7	10	-15	2.5±2.5	-40 to +85	5.0±0.25	25
CVCO55CC-1690-1750	1690 to 1750	-115	1.0 to 10.0	15	-15	5.0±3.0	-40 to +85	8.0±0.40	35
CVCO55BE-1690-1810	1690 to 1810	-106	0.5 to 4.5	50	-15	5.0±2.0	-40 to +85	5.0±0.25	35
CVCO55BE-1690-2062	1690 to 2062	-96	0.0 to 5.0	145	-15	5.0±2.0	0 to +70	5.0±0.25	20

Crystek Part Number	Frequency Range (MHz)	Phase Noise @ 10kHz offset Typ. (dBc/Hz)	Tuning Voltage (Vdc)	Kvco (MHz/V)	2nd Harm, Typ. (dBc)	Power Output (dBm)	Operating Temp (°C)	Supply Voltage Vcc (Vdc)	Supply Current Icc Max (mA)
CVCO55BE-1693-2023	1693 to 2023	-111	0.5 to 15.0	25	-15	-4.0±2.0	-40 to +85	8.0±0.40	25
CVCO55CC-1700-1700	1700 to 1700	-120	0.3 to 4.7	10	-15	2.5±2.5	-40 to +85	5.0±0.25	25
CVCO55CCQ-1700-1700	1700 to 1700	-120	0.3 to 4.7	7	-20	7.0±2.0	-40 to +85	8.0±0.25	30
CVCO55CL-1700-1800	1700 to 1800	-102	0.5 to 4.5	65	-25	5.0±2.0	-40 to +75	5.0±0.25	35
CVCO55BE-1750-1810	1750 to 1810	-103	0.5 to 4.5	70	-15	5.0±2.0	-40 to +75	5.0±0.25	15
CVCO55CC-1750-1810	1750 to 1810	-115	1.0 to 10.0	15	-15	5.0±3.0	-40 to +85	8.0±0.40	35
CVCO55BE-1750-2150	1750 to 2150	-100	0.3 to 4.7	85	-15	0.0±3.0	-40 to +85	5.0±0.25	25
CVCO55CC-1760-1760	1760 to 1760	-120	0.3 to 4.7	10	-15	2.5±2.5	-40 to +85	5.0±0.25	25
CVCO55BE-1760-1940	1760 to 1940	-102	0.5 to 4.5	68	-15	0.0±3.0	-40 to +85	5.0±0.25	20
CVCO55CC-1770-1770	1770 to 1770	-120	0.3 to 4.7	10	-15	2.5±2.5	-40 to +85	5.0±0.25	35
CVCO55BE-1770-1830	1770 to 1830	-105	0.3 to 4.7	25	-15	3.0±3.0	-40 to +85	5.0±0.25	25
CVCO55BE-1775-1845	1775 to 1845	-105	0.5 to 4.5	22	-15	4.0±2.0	-40 to +85	5.0±0.25	16
CVCO55BE-1785-1900	1785 to 1900	-100	0.3 to 4.7	45	-15	2.5±2.5	-40 to +85	5.0±0.25	35
CVCO55BE-1792-1792	1792 to 1792	-102	0.5 to 2.7	25	-13	2.5±2.5	-40 to +75	3.3±0.165	12
CVCO55CC-1800-1800	1800 to 1800	-120	0.3 to 4.7	10	-15	2.5±2.5	-40 to +85	5.0±0.25	35
CVCO55BE-1800-2200	1800 to 2200	-100	0.5 to 18.0	57	-15	-3.0±3.0	-40 to +85	10.0±0.50	25
CVCO55BE-1800-3000	1800 to 3000	-96	1.5 to 18.0	100	-20	3.0±3.0	-40 to +85	5.0±0.25	25
CVCO55BE-1812-2090	1812 to 2090	-106	0.5 to 28.0	20	-5	3.0±3.0	-40 to +85	8.0±0.40	30
CVCO55BE-1820-2100	1820 to 2100	-105	0.5 to 18.0	20	-15	0.0±3.0	-40 to +85	8.0±0.40	30
CVCO55CC-1845-1855	1845 to 1855	-117	0.3 to 4.7	5	-13	2.5±2.5	-30 to +70	5.0±0.25	20
CVCO55BE-1845-1877	1845 to 1877	-106	0.5 to 4.0	20	-15	0.5±4.0	-40 to +85	8.0±0.40	35
CVCO55BE-1848-1852	1848 to 1852	-104	0.5 to 2.0	20	-15	6.0±2.0	-40 to +85	8.0±0.20	35
CVCO55CC-1850-1850	1850 to 1850	-117	0.5 to 4.5	9	-15	2.5±2.5	-40 to +85	5.0±0.25	20
CVCO55BE-1874-2074	1874 to 2074	-100	0.5 to 4.5	75	-15	5.0±2.0	-40 to +85	5.0±0.25	35
CVCO55BE-1896-1924	1896 to 1924	-104	0.3 to 4.7	18	-15	4.0±2.5	-40 to +85	5.0±0.25	33
CVCO55BE-1900-2762	1900 to 2762	-92	0.5 to 9.5	140	-7	6.0±3.0	-40 to +85	10.0±0.25	13
CVCO55BE-1910-2010	1910 to 2010	-101	0.3 to 4.7	45	-15	2.5±2.5	-40 to +85	5.0±0.25	35
CVCO55CC-1912-2114	1912 to 2114	-106	0.5 to 4.5	69	-15	3.0±3.0	-40 to +85	5.0±0.25	23
CVCO55BE-1920-2100	1920 to 2100	-95	0.5 to 4.5	68	-15	0.0±3.0	-40 to +85	5.0±0.25	25
CVCO55CC-1920-2120	1920 to 2120	-106	0.1 to 4.9	60	-15	3.0±3.0	-40 to +85	5.0±0.25	35
CVCO55BE-1930-1990	1930 to 1990	-105	0.5 to 4.5	70	-15	2.5±2.5	-40 to +70	5.0±0.25	20
CVCO55CC-1930-1990	1930 to 1990	-115	1.0 to 10.0	15	-15	5.5±2.5	-40 to +85	8.0±0.40	30
CVCO55CC-1930-2110	1930 to 2110	-110	0.5 to 18.0	15	-12	0.0±3.0	-30 to +70	8.0±0.40	35
CVCO55BE-1930-2400	1930 to 2400	-100	0.5 to 18.0	40	-15	0.0±3.0	-40 to +85	8.0±0.40	35
CVCO55BE-1935-2235	1935 to 2235	-101	0.5 to 9.5	50	-10	8.5±2.5	-40 to +85	10.0±0.50	25
CVCO55BE-1950-2070	1950 to 2070	-102	0.5 to 4.5	40	-20	4.0±2.0	-40 to +85	5.0±0.25	18
CVCO55BE-1950-2150	1950 to 2150	-96	0.5 to 4.5	40	-15	5.0±2.0	-40 to +85	5.0±0.25	25
CVCO55BE-1969-2151	1969 to 2151	-96	1.0 to 4.0	70	-10	9.0±3.0	-40 to +85	5.0±0.25	25
CVCO55BE-2000-2000	2000 to 2000	-105	0.5 to 4.5	25	-15	2.5±2.5	-40 to +85	5.0±0.25	15
CVCO55CC-2000-2000	2000 to 2000	-118	0.3 to 4.7	7	-20	7.0±2.0	-40 to +85	8.0±0.25	30
CVCO55CC-2000-2060	2000 to 2060	-115	1.0 to 10.0	15	-15	5.5±2.5	-40 to +85	8.0±0.40	30
CVCO55BE-2000-2100	2000 to 2100	-96	0.5 to 4.5	35	-15	3.0±3.0	-40 to +85	5.0±0.25	15
CVCO55CC-2000-2300	2000 to 2300	-110	0.5 to 18.0	30	-12	0.0±3.0	-30 to +70	8.0±0.40	35
CVCO55BE-2000-2800	2000 to 2800	-94	1.0 to 24.0	5	-15	0.5±5.5	-40 to +85	5.0±0.25	25
CVCO55CC-2005-2070	2005 to 2070	-112	0.3 to 4.7	20	-25	3.0±3.0	-40 to +85	5.0±0.25	30
CVCO55CCQ-2005-2070	2005 to 2070	-115	0.1 to 4.9	20	-15	5.0±2.0	-40 to +85	5.0±0.25	40



CRYSTEK

MICROWAVE

A DIVISION OF CRYSTEK CORPORATION

Model CVC055

VCO Selector Guide

0.500"x0.500" SMD



Crystek Part Number	Frequency Range (MHz)	Phase Noise @ 10kHz offset Typ. (dBc/Hz)	Tuning Voltage (Vdc)	Kvco (MHz/V)	2nd Harm, Typ. (dBc)	Power Output (dBm)	Operating Temp (°C)	Supply Voltage Vcc (Vdc)	Supply Current Icc Max (mA)
CVC055CC-2010-2485	2010 to 2485	-105	0.5 to 18.0	33	-15	7.0±2.0	-40 to +85	8.0±0.40	35
CVC055CC-2032-2032	2032 to 2032	-118	0.5 to 4.5	10	-20	4.5±1.5	-40 to +85	5.0±0.25	37
CVC055CC-2039-2283	2039 to 2283	-106	0.5 to 16.0	20	-15	5.0±2.0	-40 to +85	8.0±0.40	35
CVC055CC-2040-2240	2040 to 2240	-108	1.0 to 11.0	26	-15	3.0±3.0	-40 to +85	5.0±0.25	30
CVC055CC-2048-2048	2048 to 2048	-120	0.5 to 4.5	5	-20	7.0±2.0	-30 to +85	5.0±0.25	30
CVC055BE-2050-2474	2050 to 2474	-103	0.0 to 16.0	30	-15	-2.5±2.5	-40 to +75	8.0±0.40	28
CVC055CC-2060-2130	2060 to 2130	-110	0.3 to 4.7	20	-25	3.0±3.0	-40 to +75	5.0±0.25	30
CVC055BE-2060-2300	2060 to 2300	-100	0.3 to 4.7	65	-15	4.5±2.5	-40 to +85	5.0±0.25	33
CVC055BE-2074-2284	2074 to 2284	-100	0.5 to 4.5	60	-20	5.0±2.0	-40 to +85	5.0±0.25	27
CVC055CC-2080-2080	2080 to 2080	-118	0.3 to 4.7	7	-20	7.0±2.0	-40 to +85	8.0±0.25	30
CVC055BE-2100-2200	2100 to 2200	-98	0.5 to 4.5	50	-12	4.0±2.0	-40 to +85	5.0±0.25	30
CVC055BE-2100-2300	2100 to 2300	-103	0.3 to 4.7	60	-18	0.0±3.0	-40 to +85	5.0±0.25	25
CVC055BE-2100-2830	2100 to 2830	-95	0.5 to 25.0	36	-8	6.0±3.5	-40 to +85	12.0±0.50	35
CVC055BE-2110-2170	2110 to 2170	-105	0.5 to 4.5	40	-10	3.0±3.0	-40 to +85	5.0±0.25	20
CVC055CC-2120-2200	2120 to 2200	-110	0.5 to 22.0	20	-12	0.0±3.0	-40 to +85	8.0±0.40	35
CVC055CC-2120-2320	2120 to 2320	-106	0.1 to 4.9	60	-15	3.0±3.0	-40 to +85	5.0±0.25	35
CVC055CC-2122-2242	2122 to 2242	-110	0.5 to 4.5	45	-15	7.0±2.0	-40 to +85	5.0±0.25	40
CVC055CC-2128-2128	2128 to 2128	-117	0.3 to 4.7	7	-15	3.0±3.0	-40 to +85	5.0±0.25	35
CVC055BE-2130-2220	2130 to 2220	-101	0.5 to 4.5	35	-12	0.0±2.0	-40 to +85	5.0±0.25	25
CVC055BE-2130-2360	2130 to 2360	-103	0.5 to 4.5	25	-12	0.0±2.0	-40 to +85	5.0±0.25	25
CVC055BE-2135-2600	2135 to 2600	-96	1.0 to 8.0	93	-15	5.0±3.0	-40 to +85	5.0±0.25	30
CVC055CC-2150-2150	2150 to 2150	-118	0.3 to 4.7	7	-20	7.0±2.0	-40 to +85	8.0±0.25	30
CVC055CC-2160-2160	2160 to 2160	-118	0.3 to 4.7	7	-20	7.0±2.0	-40 to +85	8.0±0.25	30
CVC055BE-2160-2350	2160 to 2350	-100	0.5 to 10.0	30	-20	2.5±2.5	-40 to +85	5.0±0.25	35
CVC055CW-2160-2350	2160 to 2350	-100	0.5 to 10.0	30	-20	2.5±2.5	-40 to +75	5.0±0.25	35
CVC055CC-2175-2175	2175 to 2175	-120	0.5 to 4.5	7	-15	7.0±2.0	-40 to +85	8.0±0.40	30
CVC055CC-2186-2250	2186 to 2250	-111	0.5 to 4.5	25	-30	5.0±2.0	-40 to +85	5.0±0.25	35
CVC055CC-2200-2260	2200 to 2260	-111	0.5 to 4.5	20	-30	0.0±3.0	-40 to +85	5.0±0.25	30
CVC055BE-2200-2285	2200 to 2285	-105	0.5 to 4.5	40	-15	2.5±2.5	-40 to +85	5.0±0.25	35
CVC055CC-2200-2400	2200 to 2400	-110	1.0 to 12.0	22	-15	7.0±2.0	-40 to +85	8.0±0.40	28
CVC055BE-2200-2570	2200 to 2570	-101	1.0 to 17.0	46	-15	0.0±3.0	-40 to +85	5.0±0.25	35
CVC055CC-2200-2660	2200 to 2660	-103	0.5 to 14.0	45	-15	4.0±2.0	-40 to +85	8.0±0.40	35
CVC055CC-2207-2207	2207 to 2207	-118	0.5 to 4.5	10	-10	4.5±1.5	-40 to +85	5.0±0.25	37
CVC055CC-2230-2430	2230 to 2430	-106	0.1 to 4.9	60	-15	3.0±3.0	-40 to +85	5.0±0.25	35
CVC055BE-2233-2287	2233 to 2287	-105	0.5 to 4.5	32	-15	2.5±2.5	-40 to +85	5.0±0.25	35
CVC055BE-2250-2250	2250 to 2250	-90	0.3 to 4.7	90	-15	0.0±2.5	-40 to +85	5.0±0.25	25
CVC055BE-2250-2290	2250 to 2290	-106	0.3 to 4.7	20	-15	6.0±2.0	-40 to +85	8.0±0.40	35
CVC055CC-2250-2650	2250 to 2650	-103	1.0 to 12.0	48	-15	5.0±2.0	-40 to +85	8.0±0.40	30
CVC055BE-2257-2260	2257 to 2260	-106	0.5 to 4.5	20	-15	6.0±2.0	-40 to +85	8.0±0.40	35
CVC055BE-2270-2330	2270 to 2330	-103	1.0 to 5.0	30	-12	5.0±2.0	-40 to +85	5.0±0.25	35
CVC055BE-2270-3180	2270 to 3180	-85	1.0 to 20.0	50	-12	5.0±2.0	-40 to +85	5.0±0.25	35
CVC055CC-2275-2290	2275 to 2290	-115	0.5 to 4.5	8	-25	4.5±2.5	-40 to +85	5.0±0.25	40
CVC055CC-2269-2580	2269 to 2580	-107	0.5 to 16.0	30	-20	5.0±2.0	-40 to +85	8.0±0.40	35
CVC055CC-2290-2410	2290 to 2410	-105	0.5 to 4.5	40	-15	3.0±2.0	-40 to +85	5.0±0.25	40
CVC055BE-2300-2360	2300 to 2360	-101	0.5 to 4.5	25	-12	0.0±2.0	-40 to +85	5.0±0.25	25
CVC055BE-2300-2400	2300 to 2400	-105	0.5 to 4.5	30	-20	0.0±2.5	-40 to +85	5.0±0.25	30

Crystek Part Number	Frequency Range (MHz)	Phase Noise @ 10kHz offset Typ. (dBc/Hz)	Tuning Voltage (Vdc)	Kvco (MHz/V)	2nd Harm, Typ. (dBc)	Power Output (dBm)	Operating Temp (°C)	Supply Voltage Vcc (Vdc)	Supply Current Icc Max (mA)
CVCO55CC-2300-2400	2300 to 2400	-104	0.3 to 4.7	35	-20	3.0±3.0	-40 to +85	5.0±0.25	30
CVCO55BE-2300-2450	2300 to 2450	-100	0.5 to 4.5	56	-15	4.0±2.0	-40 to +85	5.0±0.25	29
CVCO55CC-2300-2450	2300 to 2450	-106	0.5 to 4.5	50	-15	4.0±3.0	-40 to +85	5.0±0.25	35
CVCO55BE-2300-2500	2300 to 2500	-103	0.5 to 11.0	50	-12	5.5±3.5	-40 to +85	8.0±0.40	29
CVCO55BE-2300-2575	2300 to 2575	-102	0.5 to 18.0	20	-15	0.0±3.0	-40 to +85	8.0±0.40	30
CVCO55CC-2310-2320	2310 to 2320	-120	0.5 to 4.5	6	-15	6.0±2.0	-40 to +85	5.0±0.25	30
CVCO55CC-2310-2376	2310 to 2376	-120	0.5 to 4.5	7	-15	7.0±2.0	-40 to +85	8.0±0.40	28
CVCO55CC-2328-2536	2328 to 2536	-105	0.5 to 4.5	78	-15	7.0±2.0	-40 to +85	5.0±0.25	35
CVCO55CC-2340-3750	2340 to 3750	-95	1.0 to 15.0	47	-15	3.0±3.0	-40 to +85	5.0±0.25	35
CVCO55CC-2365-2415	2365 to 2415	-120	0.5 to 10.0	10	-15	5.0±3.0	-40 to +85	8.0±0.40	40
CVCO55CC-2370-2385	2370 to 2385	-116	0.3 to 4.7	8	-25	4.5±2.5	-40 to +85	5.0±0.25	40
CVCO55CCQ-2380-2380	2380 to 2380	-120	0.3 to 4.7	10	-15	2.5±2.5	-40 to +85	5.0±0.25	25
CVCO55CC-2380-2580	2380 to 2580	-111	0.5 to 15.0	10	-20	5.0±2.0	-40 to +85	5.0±0.25	40
CVCO55CC-2380-2610	2380 to 2610	-113	1.0 to 16.0	20	-15	3.0±2.5	-40 to +85	5.0±0.25	35
CVCO55CC-2400-2400	2400 to 2400	-120	1.0 to 10.0	4	-25	7.0±2.0	-40 to +85	8.0±0.40	50
CVCO55CCQ-2400-2400	2400 to 2400	-120	0.3 to 4.7	10	-15	2.5±2.5	-40 to +85	5.0±0.25	25
CVCO55CC-2400-2415	2400 to 2415	-116	0.3 to 4.7	8	-25	4.5±2.5	-40 to +85	5.0±0.25	40
CVCO55BE-2400-2500	2400 to 2500	-100	0.0 to 3.0	65	-20	0.0±3.0	-40 to +85	3.3±0.165	20
CVCO55CC-2400-2569	2400 to 2569	-102	0.5 to 4.5	55	-15	4.0±2.0	-40 to +85	5.0±0.25	35
CVCO55CC-2400-2600	2400 to 2600	-110	1.0 to 12.0	20	-15	7.0±2.0	-40 to +85	8.0±0.40	28
CVCO55BE-2400-2650	2400 to 2650	-94	0.5 to 8.0	45	-22	5.0±4.0	-40 to +85	5.0±0.25	33
CVCO55BE-2400-2670	2400 to 2670	-102	1.0 to 17.0	35	-15	2.0±2.0	-40 to +85	5.0±0.25	38
CVCO55CC-2417-2547	2417 to 2547	-108	0.3 to 4.7	40	-25	3.0±2.0	-40 to +85	5.0±0.25	35
CVCO55CC-2425-2440	2425 to 2440	-113	0.3 to 4.7	10	-20	5.0±2.0	-40 to +85	5.0±0.25	40
CVCO55BX-2425-2820	2425 to 2820	-100	0.5 to 18.0	28	-10	0.0±2.5	-40 to +85	5.0±0.25	35
CVCO55BY-2425-2820	2425 to 2820	-100	0.5 to 18.0	20	-6	3.0±3.0	-40 to +85	8.0±0.40	35
CVCO55BE-2425-2820	2425 to 2820	-100	0.5 to 18.0	28	-10	0.0±2.5	-40 to +85	8.0±0.40	35
CVCO55BE-2430-2550	2430 to 2550	-103	0.5 to 4.5	44	-20	5.0±2.0	-40 to +85	5.0±0.25	20
CVCO55CC-2430-2550	2430 to 2550	-106	0.3 to 4.7	44	-20	5.0±2.0	-40 to +85	5.0±0.25	40
CVCO55BE-2430-2585	2430 to 2585	-99	0.2 to 4.8	38	-16	2.0±2.0	-40 to +85	5.0±0.25	15
CVCO55CC-2430-2630	2430 to 2630	-106	0.1 to 4.9	60	-15	3.0±3.0	-40 to +85	5.0±0.25	35
CVCO55CC-2435-2485	2435 to 2485	-120	0.3 to 10.0	10	-15	5.0±3.0	-40 to +85	8.0±0.40	40
CVCO55CC-2440-2540	2440 to 2540	-110	0.5 to 4.5	38	-15	3.0±2.0	-40 to +85	5.0±0.25	40
CVCO55CC-2465-2485	2465 to 2485	-120	0.5 to 10.0	35	-15	4.0±2.0	-40 to +85	8.0±0.40	35
CVCO55BE-2475-2900	2475 to 2900	-100	0.0 to 16.0	30	-15	-2.5±2.5	-40 to +85	8.0±0.40	28
CVCO55CC-2480-2960	2480 to 2960	-106	0.5 to 18.0	33	-15	7.0±2.0	-40 to +85	8.0±0.40	35
CVCO55BE-2490-2530	2490 to 2530	-104	0.5 to 4.5	15	-15	6.0±2.0	-40 to +85	8.0±0.40	35
CVCO55BE-2495-2625	2495 to 2625	-100	0.5 to 4.5	59	-20	0.0±3.0	-40 to +85	5.0±0.25	25
CVCO55CC-2496-2704	2496 to 2704	-105	0.5 to 4.5	78	-15	7.0±2.0	-40 to +85	5.0±0.25	40
CVCO55CC-2500-2600	2500 to 2600	-109	0.5 to 4.5	32	-20	3.0±3.0	-40 to +85	5.0±0.25	35
CVCO55BE-2500-2740	2500 to 2740	-104	0.3 to 4.7	90	-15	5.0±3.0	-40 to +85	5.0±0.25	25
CVCO55CC-2510-2610	2510 to 2610	-110	0.5 to 4.5	38	-15	3.0±2.0	-40 to +85	5.0±0.25	40
CVCO55CC-2515-2530	2515 to 2530	-116	0.3 to 4.7	8	-25	4.5±2.5	-40 to +85	5.0±0.25	40
CVCO55CC-2542-2662	2542 to 2662	-105	0.5 to 4.5	40	-15	3.0±2.0	-40 to +85	5.0±0.25	40
CVCO55CC-2545-2560	2545 to 2560	-116	0.3 to 4.7	8	-25	4.5±2.5	-40 to +85	5.0±0.25	40
CVCO55BE-2550-2570	2550 to 2570	-105	0.5 to 4.5	12	-15	4.0±2.0	-40 to +85	8.0±0.40	30

Crystek Part Number	Frequency Range (MHz)	Phase Noise @ 10kHz offset Typ. (dBc/Hz)	Tuning Voltage (Vdc)	Kvco (MHz/V)	2nd Harm, Typ. (dBc)	Power Output (dBm)	Operating Temp (°C)	Supply Voltage Vcc (Vdc)	Supply Current Icc Max (mA)
CVCO55BE-2550-2740	2550 to 2740	-95	0.3 to 4.7	90	-15	5.0±3.0	0 to +55	5.0±0.10	25
CVCO55CC-2555-2695	2555 to 2695	-104	0.3 to 4.7	50	-20	3.0±3.0	-40 to +85	5.0±0.25	30
CVCO55CC-2560-2850	2560 to 2850	-100	1.0 to 15.0	47	-15	3.0±3.0	-40 to +85	5.0±0.25	35
CVCO55BE-2560-2920	2560 to 2920	-102	0.0 to 18.0	28	-10	0.0±3.0	-40 to +85	8.0±0.40	35
CVCO55BE-2560-3200	2560 to 3200	-90	0.5 to 11.0	110	-20	6.0±3.0	-40 to +85	10.0±0.50	25
CVCO55CC-2567-2741	2567 to 2741	-108	0.1 to 16.0	20	-15	5.0±2.0	-40 to +85	8.0±0.40	25
CVCO55CC-2580-2620	2580 to 2620	-110	0.5 to 4.5	26	-15	3.0±2.0	-40 to +85	5.0±0.25	40
CVCO55CC-2580-2650	2580 to 2650	-108	0.5 to 4.5	26	-15	3.0±2.0	-40 to +85	5.0±0.25	40
CVCO55CC-2580-2860	2580 to 2860	-110	0.5 to 16.0	10	-20	4.5±2.0	-40 to +85	5.0±0.25	40
CVCO55CC-2585-2715	2585 to 2715	-106	0.3 to 4.7	40	-25	3.0±2.0	-40 to +85	5.0±0.25	35
CVCO55CC-2594-3026	2594 to 3026	-106	0.1 to 16.0	31	-20	5.0±2.0	-40 to +85	8.0±0.40	40
CVCO55CC-2600-2800	2600 to 2800	-111	1.0 to 12.0	20	-20	7.0±2.0	-40 to +85	8.0±0.40	29
CVCO55BE-2600-2900	2600 to 2900	-95	0.3 to 4.7	87	-22	5.0±3.0	-40 to +85	5.0±0.25	25
CVCO55BE-2600-3100	2600 to 3100	-90	1.0 to 10.0	110	-20	6.0±3.0	-40 to +85	10.0±0.50	25
CVCO55BE-2620-2686	2620 to 2686	-105	0.5 to 4.5	25	-15	2.5±2.5	-40 to +85	5.0±0.25	40
CVCO55CC-2620-2710	2620 to 2710	-110	0.5 to 4.5	34	-15	3.0±2.0	-40 to +85	5.0±0.25	40
CVCO55CC-2620-2862	2620 to 2862	-113	1.0 to 16.0	20	-15	3.0±2.5	-40 to +85	5.0±0.25	35
CVCO55BE-2620-2910	2620 to 2910	-100	1.0 to 17.0	35	-15	2.0±2.0	-40 to +85	5.0±0.25	38
CVCO55BE-2650-2700	2650 to 2700	-105	2.0 to 7.0	20	-10	6.0±2.0	-40 to +85	8.0±0.40	25
CVCO55BE-2650-2800	2650 to 2800	-102	0.5 to 4.5	40	-15	0.0±3.0	-40 to +85	5.0±0.25	25
CVCO55BE-2675-2950	2675 to 2950	-100	1.0 to 17.0	35	-15	2.0±2.0	-40 to +85	5.0±0.25	38
CVCO55BE-2700-3275	2700 to 3275	-95	1.0 to 15.0	75	-22	5.0±2.0	-40 to +85	5.0±0.25	25
CVCO55BE-2732-3120	2732 to 3120	-101	0.5 to 18.0	30	-10	0.0±3.0	-40 to +85	8.0±0.40	35
CVCO55CC-2735-2956	2735 to 2956	-103	0.5 to 4.5	78	-15	7.0±2.0	-40 to +85	5.0±0.25	35
CVCO55CC-2745-2860	2745 to 2860	-106	0.5 to 4.5	50	-15	4.0±3.0	-40 to +85	5.0±0.25	35
CVCO55CC-2748-2956	2748 to 2956	-105	0.5 to 4.5	35	-15	7.0±2.0	-40 to +85	5.0±0.25	35
CVCO55CC-2750-3175	2750 to 3175	-100	1.0 to 15.0	47	-15	3.0±3.0	-40 to +85	5.0±0.25	35
CVCO55CC-2756-2756	2756 to 2756	-120	0.5 to 4.5	5	-15	6.0±2.0	-40 to +85	5.0±0.25	35
CVCO55CC-2767-2825	2767 to 2825	-110	0.5 to 11.5	15	-10	5.0±2.0	-40 to +85	8.0±0.40	40
CVCO55BE-2767-2825	2767 to 2825	-98	0.5 to 11.5	35	-15	4.0±2.0	-40 to +85	8.0±0.40	35
CVCO55CC-2770-2920	2770 to 2920	-106	0.5 to 4.5	50	-15	4.0±3.0	-40 to +85	5.0±0.25	35
CVCO55CC-2778-2945	2778 to 2945	-110	0.1 to 16.0	15	-10	4.0±2.0	-40 to +85	8.0±0.40	40
CVCO55CC-2809-2921	2809 to 2921	-108	0.3 to 4.7	40	-15	3.0±3.0	-40 to +85	5.0±0.25	25
CVCO55BE-2810-2840	2810 to 2840	-103	0.5 to 4.5	12	-15	6.0±4.0	-40 to +85	8.0±0.40	35
CVCO55CC-2818-2835	2818 to 2835	-113	0.5 to 4.5	10	-20	5.0±2.0	-40 to +85	5.0±0.25	40
CVCO55CC-2837-2967	2837 to 2967	-105	0.3 to 4.7	40	-25	3.0±2.0	-40 to +85	5.0±0.25	35
CVCO55CC-2850-2950	2850 to 2950	-105	0.3 to 4.7	35	-15	5.0±2.0	-40 to +85	5.0±0.25	25
CVCO55CC-2850-3175	2850 to 3175	-100	1.0 to 15.0	47	-15	3.0±3.0	-40 to +85	5.0±0.25	35
CVCO55CC-2850-3210	2850 to 3210	-103	0.5 to 14.0	35	-15	4.0±2.0	-40 to +85	8.0±0.40	35
CVCO55BE-2865-3100	2865 to 3100	-90	0.5 to 4.5	110	-15	1.0±3.0	-40 to +85	5.0±0.25	20
CVCO55CC-2895-3035	2895 to 3035	-108	0.5 to 15.0	14	-15	4.5±2.0	-40 to +85	8.0±0.40	40
CVCO55BE-2900-3100	2900 to 3100	-98	1.0 to 17.0	35	-15	2.0±2.0	-40 to +85	5.0±0.25	38
CVCO55BE-2900-3273	2900 to 3273	-100	0.5 to 18.0	28	-10	0.0±3.0	-40 to +85	8.0±0.40	35
CVCO55BE-2900-3300	2900 to 3300	-95	0.0 to 16.0	30	-15	-2.5±2.5	-40 to +85	8.0±0.40	28
CVCO55CC-2950-2950	2950 to 2950	-115	0.5 to 4.5	15	-15	9.0±3.0	-40 to +85	5.0±0.25	13
CVCO55BE-2950-4200	2950 to 4200	-87	1.5 to 18.0	100	-15	-2.5±2.5	-40 to +85	5.0±0.25	40

Crystek Part Number	Frequency Range (MHz)	Phase Noise @ 10kHz offset Typ. (dBc/Hz)	Tuning Voltage (Vdc)	Kvco (MHz/V)	2nd Harm, Typ. (dBc)	Power Output (dBm)	Operating Temp (°C)	Supply Voltage Vcc (Vdc)	Supply Current Icc Max (mA)
CVCO55CW-2950-4200	2950 to 4200	-87	1.5 to 18.0	100	-15	-2.5±2.5	-40 to +85	5.0±0.25	40
CVCO55CC-2962-3388	2962 to 3388	-106	0.1 to 16.0	31	-20	5.0±2.0	-40 to +85	8.0±0.40	40
CVCO55BE-2970-3190	2970 to 3190	-96	0.3 to 4.7	107	-20	2.0±2.0	-40 to +85	5.0±0.25	27
CVCO55CC-2970-3230	2970 to 3230	-104	0.5 to 4.5	80	-20	5.0±2.0	-40 to +85	5.0±0.25	35
CVCO55BE-2974-3274	2974 to 3274	-98	0.3 to 4.7	100	-15	2.0±2.0	-40 to +85	5.0±0.25	27
CVCO55CC-2990-3400	2990 to 3400	-102	0.5 to 22.0	30	-10	0.0±4.0	-40 to +85	8.0±0.40	35
CVCO55BE-3000-3100	3000 to 3100	-101	0.5 to 11.5	23	-15	5.0±3.0	-40 to +85	5.0±0.25	25
CVCO55CC-3000-3170	3000 to 3170	-109	0.5 to 15.0	20	-15	5.0±2.0	-40 to +85	8.0±0.40	35
CVCO55CC-3015-3045	3015 to 3045	-109	0.5 to 4.5	13	-25	0.0±3.0	-40 to +85	5.0±0.25	35
CVCO55BE-3020-3050	3020 to 3050	-98	0.3 to 4.7	12	-15	4.0±2.0	-40 to +85	8.0±0.40	30
CVCO55BES-3020-3265	3020 to 3265	-98	0.5 to 11.5	30	-15	4.0±6.0	-40 to +85	6.8±0.34	25
CVCO55BE-3025-3125	3025 to 3125	-98	0.3 to 4.7	34	-15	0.0±3.0	-40 to +85	5.0±0.25	35
CVCO55BE-3050-3400	3050 to 3400	-98	1.0 to 20.0	40	-15	2.5±2.5	-40 to +85	5.0±0.25	25
CVCO55CW-3050-4250	3050 to 4250	-85	1.5 to 18.5	100	-15	1.5±3.5	-40 to +85	5.0±0.25	25
CVCO55BE-3070-3325	3070 to 3325	-98	1.0 to 17.0	36	-15	2.5±2.5	-40 to +85	5.0±0.25	38
CVCO55BE-3080-3218	3080 to 3218	-100	0.5 to 4.5	50	-15	0.0±3.0	-40 to +85	5.0±0.25	25
CVCO55BE-3100-3350	3100 to 3350	-98	0.3 to 4.7	30	-15	4.0±4.0	-40 to +85	5.0±0.25	38
CVCO55BE-3130-3230	3130 to 3230	-96	0.5 to 4.5	40	-15	0.0±3.0	-40 to +85	5.0±0.25	30
CVCO55BE-3136-3214	3136 to 3214	-96	1.0 to 4.0	40	-10	9.0±3.0	-40 to +85	5.0±0.25	25
CVCO55BE-3150-3250	3150 to 3250	-98	0.3 to 4.7	75	-20	4.0±4.0	-40 to +85	5.0±0.25	35
CVCO55CC-3175-3375	3175 to 3375	-106	0.1 to 16.0	20	-15	5.0±2.0	-40 to +85	8.0±0.40	35
CVCO55CC-3175-3536	3175 to 3536	-100	1.0 to 15.0	47	-15	3.0±3.0	-40 to +85	5.0±0.25	35
CVCO55CC-3180-3710	3180 to 3710	-102	0.1 to 16.0	56	-15	0.0±2.5	-40 to +85	8.0±0.40	35
CVCO55CC-3200-3200	3200 to 3200	-114	0.5 to 4.5	8	-12	6.0±2.0	-40 to +85	8.0±0.40	40
CVCO55BE-3200-3400	3200 to 3400	-96	0.0 to 5.0	60	-15	1.0±3.0	-40 to +85	5.0±0.25	35
CVCO55BE-3203-3317	3203 to 3317	-100	0.5 to 4.5	45	-15	0.0±3.0	-40 to +85	5.0±0.25	25
CVCO55CC-3205-3317	3205 to 3317	-107	0.3 to 4.7	40	-15	3.0±3.0	-40 to +85	5.0±0.25	28
CVCO55BE-3206-3306	3206 to 3306	-97	0.5 to 4.5	40	-15	0.0±3.0	-40 to +85	5.0±0.25	25
CVCO55CC-3227-3437	3227 to 3437	-100	0.5 to 4.5	78	-15	7.0±2.0	-40 to +85	5.0±0.25	40
CVCO55CC-3237-3385	3237 to 3385	-108	0.1 to 16.0	10	-10	5.0±2.0	-40 to +85	8.0±0.40	40
CVCO55BE-3245-3500	3245 to 3500	-97	1.0 to 20.0	27	-15	2.5±2.5	-40 to +85	5.0±0.25	38
CVCO55CC-3271-3503	3271 to 3503	-108	0.1 to 16.0	17	-15	5.0±2.0	-40 to +85	8.0±0.40	40
CVCO55CC-3274-3280	3274 to 3280	-115	0.3 to 4.7	8	-12	5.0±2.0	-40 to +85	8.0±0.40	30
CVCO55CC-3318-3467	3318 to 3467	-106	0.1 to 16.0	20	-20	5.0±2.0	-40 to +85	8.0±0.40	35
CVCO55CC-3345-3955	3345 to 3955	-100	0.5 to 23.0	44	-20	3.0±2.0	-40 to +85	10.0±0.50	40
CVCO55CC-3350-3500	3350 to 3500	-108	0.1 to 16.0	17	-15	5.0±2.0	-40 to +85	8.0±0.40	40
CVCO55BE-3350-3500	3350 to 3500	-97	0.3 to 4.7	45	-30	2.5±2.0	-40 to +85	5.0±0.25	20
CVCO55CC-3366-3597	3366 to 3597	-106	0.1 to 16.0	17	-15	5.0±2.0	-40 to +85	8.0±0.40	35
CVCO55CC-3395-3605	3395 to 3605	-100	0.5 to 4.5	78	-15	3.0±2.0	-40 to +85	5.0±0.25	40
CVCO55BE-3430-3480	3430 to 3480	-97	0.5 to 4.5	48	-30	2.5±2.5	-40 to +85	5.0±0.25	22
CVCO55CC-3435-3458	3435 to 3458	-105	1.0 to 11.0	6	-12	3.0±3.0	-40 to +85	5.0±0.25	30
CVCO55CC-3475-3475	3475 to 3475	-115	0.5 to 4.5	7	-15	7.0±2.0	-40 to +85	8.0±0.40	35
CVCO55CW-3480-3950	3480 to 3950	-98	2.0 to 12.0	56	-20	0.0±3.0	-40 to +85	8.0±0.40	25
CVCO55CC-3500-3700	3500 to 3700	-108	0.1 to 16.0	22	-20	5.0±2.0	-40 to +85	8.0±0.40	40
CVCO55CW-3500-4500	3500 to 4500	-90	0.5 to 15.0	90	-20	3.0±3.0	-40 to +85	5.0±0.25	30
CVCO55BH-3600-3800	3600 to 3800	-92	0.5 to 4.5	100	-15	4.0±2.0	-40 to +85	5.0±0.25	15

Crystek Part Number	Frequency Range (MHz)	Phase Noise @ 10kHz offset Typ. (dBc/Hz)	Tuning Voltage (Vdc)	Kvco (MHz/V)	2nd Harm, Typ. (dBc)	Power Output (dBm)	Operating Temp (°C)	Supply Voltage Vcc (Vdc)	Supply Current Icc Max (mA)
CVCO55CC-3612-3668	3612 to 3668	-108	0.5 to 11.5	15	-15	-4.0±2.0	-40 to +85	8.0±0.40	35
CVCO55CC-3619-3711	3619 to 3711	-106	0.1 to 16.0	10	-20	5.0±2.0	-40 to +85	8.0±0.40	40
CVCO55CC-3647-3857	3647 to 3857	-100	0.5 to 4.5	78	-15	3.0±2.0	-40 to +85	5.0±0.25	40
CVCO55CC-3713-3713	3713 to 3713	-105	0.5 to 4.5	7	-15	3.0±3.0	-40 to +85	5.0±0.25	30
CVCO55CC-3726-3786	3726 to 3786	-108	0.5 to 4.5	22	-15	2.0±2.0	-40 to +85	5.0±0.25	30
CVCO55CC-3745-3955	3745 to 3955	-101	0.0 to 20.0	13	-15	8.0±3.0	-40 to +85	10.0±0.50	40
CVCO55CC-3750-3800	3750 to 3800	-105	0.5 to 16.0	22	-15	2.0±2.0	-40 to +85	5.0±0.25	30
CVCO55CC-3830-3830	3830 to 3830	-108	0.5 to 4.5	7	-15	7.0±2.0	-40 to +85	8.0±0.40	35
CVCO55CC-3901-4101	3901 to 4101	-104	0.1 to 16.0	22	-20	5.0±2.0	-40 to +85	8.0±0.40	40
CVCO55CC-3985-4115	3985 to 4115	-105	0.5 to 11.5	20	-12	7.0±2.0	-40 to +85	12.0±0.60	43
CVCO55BH-4100-4300	4100 to 4300	-90	0.5 to 4.5	100	-15	3.0±2.0	-40 to +85	5.0±0.25	15
CVCO55CC-4124-4238	4124 to 4238	-106	0.1 to 16.0	22	-20	5.0±2.0	-40 to +85	8.0±0.40	40
CVCO55BE-4235-4265	4235 to 4265	-90	1.0 to 7.0	30	-15	3.0±3.0	-40 to +85	5.0±0.25	30
CVCO55CC-4247-4247	4247 to 4247	-103	0.5 to 4.5	10	-15	3.0±3.0	-40 to +85	5.0±0.25	30
CVCO55CC-4267-4442	4267 to 4442	-104	0.1 to 16.0	22	-20	5.0±2.0	-40 to +85	8.0±0.40	40
CVCO55BE-4900-4900	4900 to 4900	-90	0.3 to 4.7	35	-15	3.0±3.0	-40 to +85	5.0±0.25	30
CVCO55BH-4940-4940	4940 to 4940	-88	0.5 to 5.0	25	-20	0.0±2.0	-40 to +85	5.0±0.25	30
CVCO55BE-5000-5000	5000 to 5000	-93	0.3 to 4.7	35	-15	3.0±3.0	-40 to +85	5.0±0.25	30
CVCO55CXT-5150-5150	5150 to 5150	-100	0.5 to 4.5	10	-30	3.0±4.0	-40 to +85	5.0±0.25	30
CVCO55BH-5256-5356	5256 to 5356	-86	1.0 to 4.0	56	-10	0.0±2.0	-40 to +85	5.0±0.25	30
CVCO55CXT-5340-5490	5340 to 5490	-102	0.5 to 4.5	52	-30	3.0±2.5	-40 to +85	5.0±0.25	25
CVCO55BH-5450-5550	5450 to 5550	-85	0.5 to 4.5	50	-10	1.5±1.5	-40 to +85	5.0±0.25	30
CVCO55BH-5600-5700	5600 to 5700	-85	0.0 to 3.0	125	-22	0.0±3.0	-40 to +85	5.0±0.25	30
CVCO55BHS-5600-5800	5600 to 5800	-80	0.5 to 4.5	125	-15	0.0±3.0	-40 to +85	5.0±0.25	25
CVCO55CXT-5760-5820	5760 to 5820	-100	0.5 to 4.5	20	-30	3.0±3.0	-40 to +85	8.0±0.40	35
CVCO55CXT-5800-5800	5800 to 5800	-100	0.5 to 4.5	20	-30	3.0±3.0	-40 to +85	8.0±0.40	35
CVCO55BH-5840-6040	5840 to 6040	-85	0.3 to 4.7	60	-25	0.0±3.0	-40 to +85	5.0±0.25	30
CVCO55CXT-6000-6075	6000 to 6075	-100	0.5 to 4.5	20	-30	5.0±3.0	-40 to +85	8.0±0.40	25
CVCO55CXT-6016-6016	6016 to 6016	-100	0.5 to 4.5	10	-30	0.0±4.0	-40 to +85	5.0±0.25	35
CVCO55CXT-6060-6065	6060 to 6065	-100	0.5 to 4.5	10	-30	4.0±2.0	-40 to +85	8.0±0.40	35
CVCO55CXT-6250-6250	6250 to 6250	-100	0.5 to 4.5	20	-30	3.0±3.0	-40 to +85	8.0±0.40	35
CVCO55CXT-6312-6312	6312 to 6312	-100	0.5 to 4.5	10	-30	4.0±2.0	-40 to +85	8.0±0.40	35
CVCO55CXT-6900-6900	6900 to 6900	-100	0.5 to 4.5	52	-30	4.0±2.0	-40 to +85	8.0±0.40	25
CVCO55CXT-7000-7000	7000 to 7000	-100	0.5 to 4.5	10	-30	0.0±5.0	-40 to +85	5.0±0.25	30
CVCO55CXT-7020-7020	7020 to 7020	-100	0.5 to 4.5	10	-30	0.0±5.0	-40 to +85	5.0±0.25	30
CVCO55CXT-7075-7075	7075 to 7075	-100	0.5 to 4.5	10	-30	0.0±5.0	-40 to +85	5.0±0.25	30
CVCO55CXT-7250-7250	7250 to 7250	-100	0.5 to 4.5	10	-30	0.0±5.0	-40 to +85	5.0±0.25	30

PLL/Synthesizer

 Model CPLL58
 0.500"x0.800" SMD

 Model CPLL66
 0.600"x0.600" SMD

Crystek Part Number	Frequency Range (MHz)	Phase Noise @ 10kHz offset Typ. (dBc/Hz)	Step Size Typ. (kHz)	2nd Harm, Typ. (dBc)	Power Output (dBm)	Operating Temp (°C)	VCO Supply Voltage (Vdc)	PLL Supply Voltage (Vdc)
CPLL58-1600-2200	1600 to 2200	-95	1000	-15	7.0±2.0	-40 to +85	12.0±0.6	3.0±0.30
CPLL58-1800-1860	1800 to 1860	-103	10	-20	3.0±3.0	-40 to +85	5.0±0.25	3.0±0.30
CPLL58-2175-2175	2175 to 2175	-95	100	-15	3.0±3.0	-40 to +85	5.0±0.25	3.0±0.30
CPLL58-2400-2500	2400 to 2500	-95	1000	-15	3.0±3.0	-40 to +85	5.0±0.25	3.0±0.30
CPLL58-2416-2553	2416 to 2553	-90	100	-15	3.0±3.0	-40 to +85	5.0±0.25	3.0±0.30
CPLL58-2450-2450	2450 to 2450	-95	100	-15	3.0±3.0	-40 to +85	5.0±0.25	3.0±0.30
CPLL58-3160-3380	3160 to 3380	-95	2500	-15	3.0±3.0	-40 to +85	5.0±0.25	3.0±0.30
CPLL58-3475-3475	3475 to 3475	-95	2500	-15	3.0±3.0	-40 to +85	5.0±0.25	3.0±0.30
CPLL58-3900-4300	3900 to 4300	-90	2500	-15	3.0±3.0	-40 to +85	5.0±0.25	3.0±0.30
CPLL58-3925-4175	3925 to 4175	-90	2500	-15	3.0±3.0	-40 to +85	5.0±0.25	3.0±0.30
CPLL58-4160-4380	4160 to 4380	-90	2500	-15	3.0±3.0	-40 to +85	5.0±0.25	3.0±0.30
CPLL58-4240-4240	4240 to 4240	-95	2500	-15	3.0±3.0	-40 to +85	5.0±0.25	3.0±0.30
CPLL66-1600-2200	1600 to 2200	-95	1000	-15	7.0±2.0	-40 to +85	12.0±0.6	3.0±0.30
CPLL66-1800-1860	1800 to 1860	-103	10	-20	3.0±3.0	-40 to +85	5.0±0.25	3.0±0.30
CPLL66-2175-2175	2175 to 2175	-95	100	-15	3.0±3.0	-40 to +85	5.0±0.25	3.0±0.30
CPLL66-2400-2500	2400 to 2500	-95	1000	-15	3.0±3.0	-40 to +85	5.0±0.25	3.0±0.30
CPLL66-2416-2553	2416 to 2553	-90	100	-15	3.0±3.0	-40 to +85	5.0±0.25	3.0±0.30
CPLL66-2450-2450	2450 to 2450	-95	100	-15	3.0±3.0	-40 to +85	5.0±0.25	3.0±0.30
CPLL66-3160-3380	3160 to 3380	-95	2500	-15	3.0±3.0	-40 to +85	5.0±0.25	3.0±0.30
CPLL66-3475-3475	3475 to 3475	-95	2500	-15	3.0±3.0	-40 to +85	5.0±0.25	3.0±0.30
CPLL66-3900-4300	3900 to 4300	-90	2500	-15	3.0±3.0	-40 to +85	5.0±0.25	3.0±0.30
CPLL66-3925-4175	3925 to 4175	-90	2500	-15	3.0±3.0	-40 to +85	5.0±0.25	3.0±0.30
CPLL66-4160-4380	4160 to 4380	-90	2500	-15	3.0±3.0	-40 to +85	5.0±0.25	3.0±0.30
CPLL66-4240-4240	4240 to 4240	-95	2500	-15	3.0±3.0	-40 to +85	5.0±0.25	3.0±0.30
CPLL66-4325-4575	4325 to 4575	-85	2500	-15	3.0±3.0	-40 to +85	5.0±0.25	3.0±0.30

(See website for full factory specifications)



Model CRBV
Connectorized VCOs
1.250"x1.250"



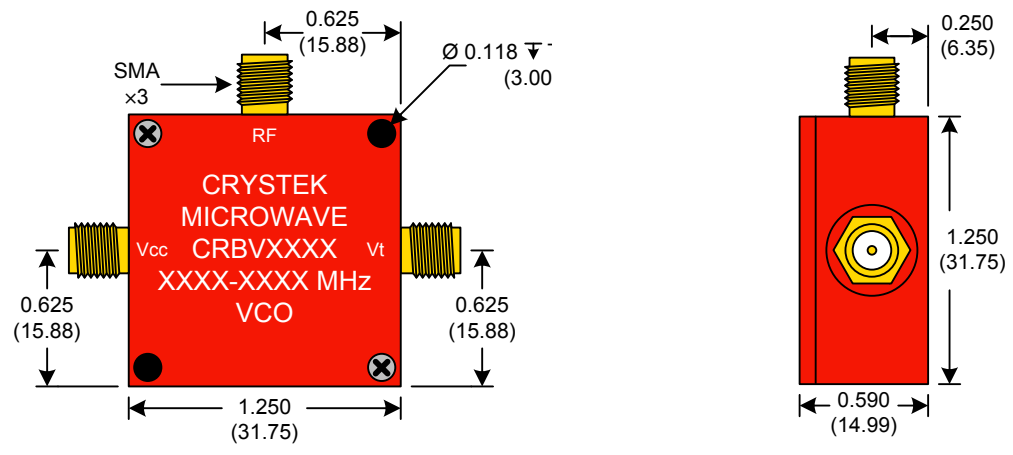
RedBox[®]

CONNECTORIZED VCOs
ENHANCED DURABILITY AND
EASY INTEGRATION

Crystek enhances its frequency control portfolio with the release of the **RedBox** VCO series of VCOs. Customers can now order VCOs from Crystek in a robust aluminum enclosure (1.25" x 1.25" x 0.59") with SMA connectors. The majority of Crystek's VCO portfolio will be available in the **RedBox**. This series will enhance the VCO's durability and make integration of a VCO into any application an easy, plug-and-play option.

Crystek VCOs are available in narrow to wide band frequencies, feature low phase noise & harmonic suppression, and provide excellent linearity. Crystek's products are well-suited for use in applications such as digital radio equipment, fixed wireless access, satellite communication systems, base stations, personal communications systems, portable radios, and test instruments.

Applications include PLL frequency translation, test and measurement, avionics, point-to-point radios, and multi-point radios.

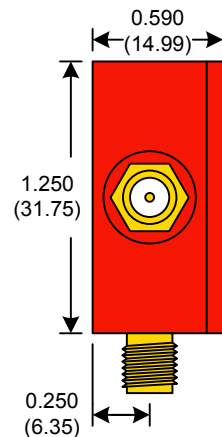
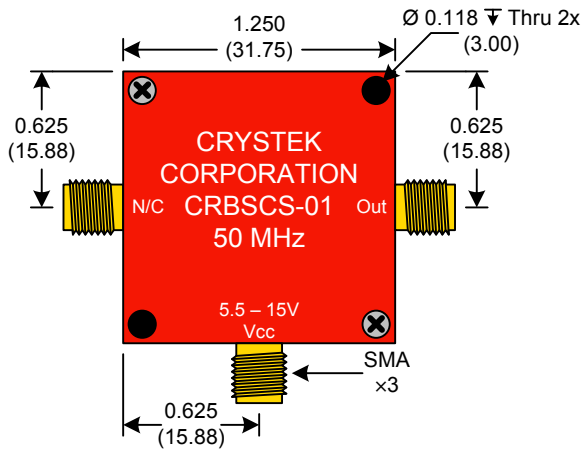


RedBox[®]

CONNECTORIZED
LOW NOISE SOURCES FOR
EASY INTEGRATION

Crystek enhances its frequency control portfolio with the release of the **RedBox** RF Low Noise Frequency source series. Customers can now order Low Noise Sources from Crystek in a robust aluminum enclosure (1.25" x 1.25" x 0.59") with SMA connectors.

Crystek Part Number	Frequency (MHz)	Phase Noise @ 1MHz offset Typ. (dBc/Hz)	Output Waveform	Freq. Stability (PPM) Operating Temp (°C)	2nd Harm, Typ. (dBc)	Power Output (dBm) (Min/Max)	Supply Voltage Vcc (Vdc)	Supply Current Icc Max (mA)
CRBSCS-01-50.000	50.000	-170	SineWave	±25 (-40 to +85)	-25	+5 / +7	5.5 to 15.0	30
CRBSCS-01-80.000	80.000	-170	SineWave	±25 (-40 to +85)	-25	+5 / +7	5.5 to 15.0	30
CRBSCS-01-100.000	100.000	-170	SineWave	±25 (-40 to +85)	-25	+5 / +7	5.5 to 15.0	30
CRBSCS-01-125.000	125.000	-170	SineWave	±25 (-40 to +85)	-25	+5 / +7	5.5 to 15.0	30
CRBSCS-01-250.000	250.000	-173	SineWave	±25 (-40 to +85)	-25	+10 Min.	5.5 to 15.0	50
CRBSCS-01-310.000	310.000	-173	SineWave	±150 (-40 to +85)	-20	+10 Min.	5.5 to 15.0	50
CRBSCS-01-1000.000	1000.000	-171	SineWave	±150 (-40 to +85)	-25	+8 Min.	5.5 to 15.0	50
CRBSCS-01-2000.000	2000.000	-164	SineWave	±150 (-40 to +85)	-20	+5 Min.	5.5 to 15.0	50
CRBSCS-01-2500.000	2500.000	-155	SineWave	±50 (-20 to +70)	-20	+5 Min.	5.5 to 15.0	100



X-ON Electronics

Largest Supplier of Electrical and Electronic Components

Click to view similar products for [Phase Locked Loops - PLL category](#):

Click to view products by [Crystek manufacturer](#):

Other Similar products are found below :

[CPLL58-2400-2500](#) [MB15E07SLPFV1-G-BND-6E1](#) [PI6C2409-1HWEX](#) [BA4116FV-E2](#) [HMC764LP6CETR](#) [HMC820LP6CETR](#)
[CY22050KFI](#) [LMX2430TMX/NOPB](#) [NB3N5573DTG](#) [ADF4153ABCPZ](#) [PI6C2405A-1LE](#) [CD74HC4046AM](#) [CPLL66-2450-2450](#)
[NJM567D](#) [74HC4046ADB.112](#) [74HC4046APW.112](#) [CY23S05SXI-1](#) [STW81200T](#) [ADF4208BRUZ](#) [ADF4218LBRUZ](#) [ADF4355-3BCPZ](#)
[ADF4355BCPZ](#) [ADF4169WCCPZ](#) [ADF4360-6BCPZ](#) [ADF4360-5BCPZRL7](#) [ADF4360-5BCPZ](#) [ADF4360-4BCPZRL7](#) [ADF4360-4BCPZ](#)
[ADF4360-3BCPZ](#) [ADF4360-2BCPZRL7](#) [ADF4252BCPZ](#) [ADF4159CCPZ](#) [ADF4169CCPZ](#) [ADF4360-0BCPZ](#) [ADF4360-1BCPZ](#) [ADF4360-1BCPZRL7](#) [ADF4360-2BCPZ](#) [ADF4360-3BCPZRL7](#) [ADF4360-7BCPZRL7](#) [ADF4360-8BCPZ](#) [ADF4360-8BCPZRL7](#) [ADF4360-9BCPZ](#)
[ADF4360-9BCPZRL7](#) [ADF4159CCPZ-RL7](#) [ADF4159WCCPZ](#) [ADF4360-0BCPZRL7](#) [AD9901KPZ](#) [AD9901KQ](#) [ADF4001BCPZ](#)
[ADF4002BCPZ](#)