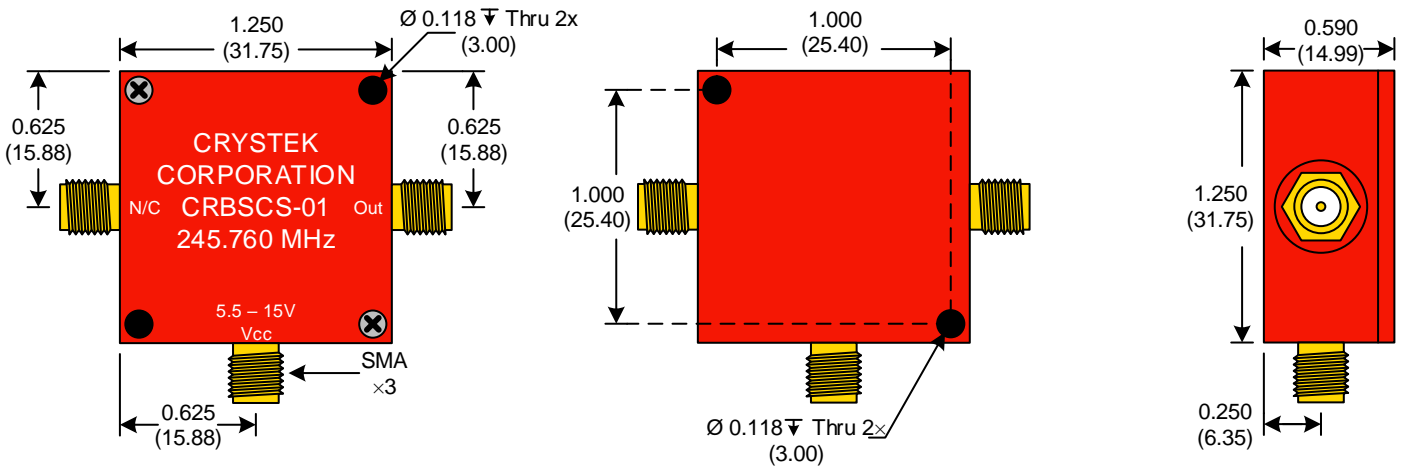


<b>Frequency:</b>	245.760 MHz
<b>Temperature Range:</b>	-40°C to 85°C
<b>Input Voltage:</b>	+5.5 V to +15 V
<b>Input Current:</b>	50 mA Max
<b>Output:</b>	TrueSineWave
<b>Frequency Stability:</b>	±150ppm Typical
<b>Output Power:</b>	+10 dBm Min
<b>Start-up Time:</b>	2 ms Typical, 5 ms Max
<b>Load:</b>	50 Ω
<b>2<sup>nd</sup> Harmonic:</b>	-20 dBc Max
<b>Sub-Harmonics:</b>	None
<b>Period Jitter:</b> (20,000 periods)	<5 ps RMS (1-sigma) Max
<b>Phase Jitter:</b> 12 kHz ~ 20 MHz	<1 ps RMS (1-sigma) Max
50 kHz ~ 80 MHz	<1 ps RMS (1-sigma) Max
<b>Phase Noise Typical:</b> 1 kHz	-130 dBc/Hz
10 kHz	-150 dBc/Hz
100 kHz	-160 dBc/Hz
1 MHz	-165 dBc/Hz
10 MHz	-169 dBc/Hz
40 MHz	-170 dBc/Hz
<b>Aging:</b>	<3 ppm 1 <sup>st</sup> year, <1 ppm every year thereafter

FRONT

BACK

SIDE

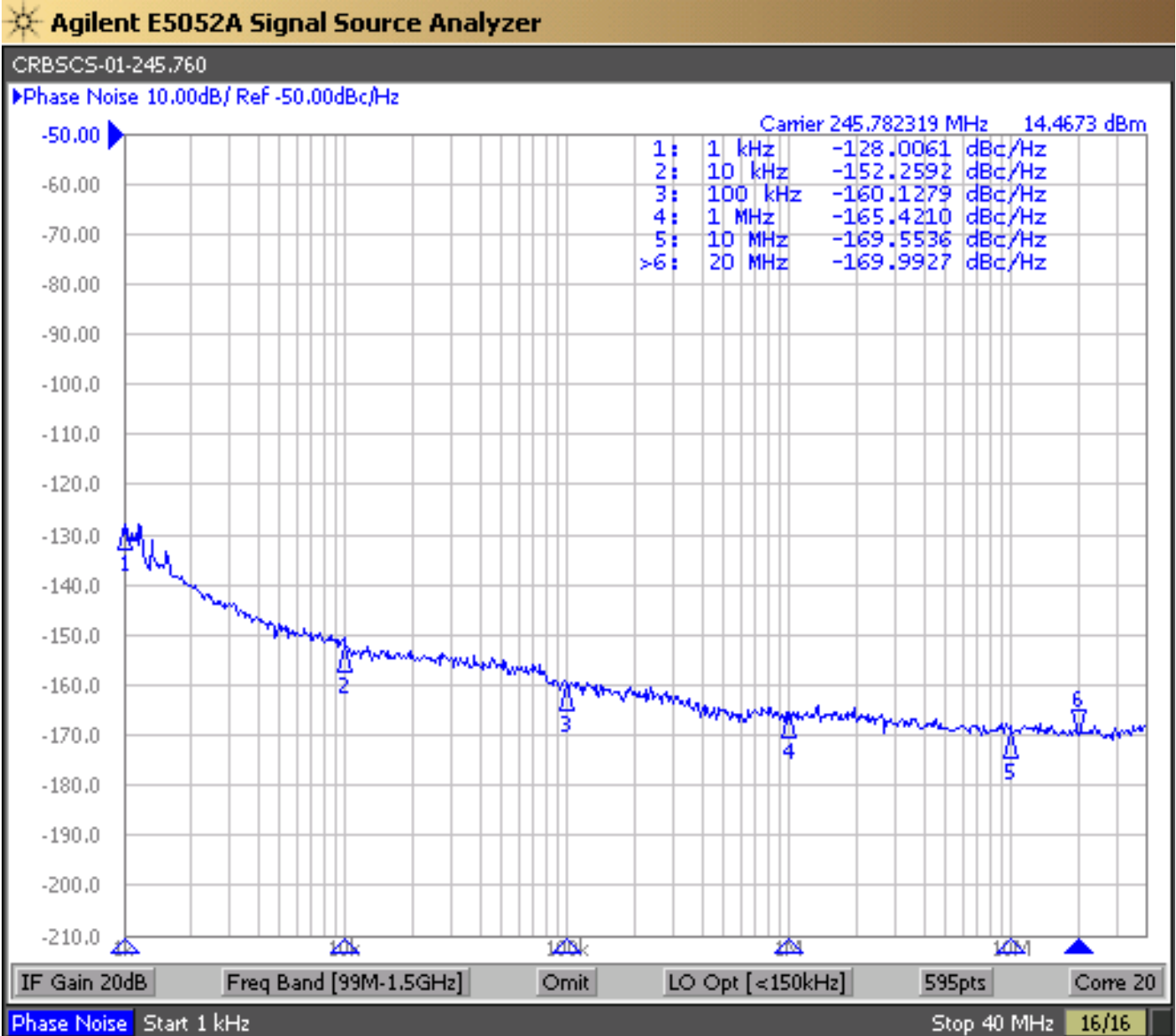


● Unless otherwise specified, Dimensions are in:  $\frac{IN}{(mm)}$

**Product Control:**

Crystek Part Number:	CRBSCS-01-245.760	Release Date:	02-Sep-2016
Revision Level:	B	Responsible:	C. Vales





<b>Product Control:</b>			
Crystek Part Number:	CRBSCS-01-245.760	Release Date:	02-Sep-2016
Revision Level:	B	Responsible:	C. Vales

## X-ON Electronics

Largest Supplier of Electrical and Electronic Components

*Click to view similar products for [Specialist Oscillators](#) category:*

*Click to view products by [Crystek](#) manufacturer:*

Other Similar products are found below :

[CRBSCS-01-245.760](#) [DSC1004DI2-010.0000](#) [DSC1102BI2-125.0000](#) [DSC1124CE1-010.2400](#) [DSC612PI2A-012Q](#) [DSC612PI3A-010J](#)  
[DSC612PI3A-010K](#) [DSC612PI3A-010T](#) [DSC612RI1A-012M](#) [DSC612RI3A-010J](#) [DSC613PI3A-0105](#) [DSC613RA2A-0106](#) [DSC613RI2A-012S](#) [DSC613RI2A-012ST](#) [DSC613RI3A-010U](#)