

NOTE: Distance from end of cable center conductor to Ref. Pl. is 0.325

## NOTES:

### 1.0 Materials

- 1.1 Body and Clamp Nut: Steel. Corrosion Resistant per ASTM-A582. UNS No. S30300.
- 1.2 Center Conductor: Beryllium Copper per ASTM-B196. UNS C17300.
- 1.3 Solder Ferrule: Brass per ASTM-B16. UNS C36000.
- 1.4 O-Ring: Silicone Rubber per A-A-59588.
- 1.5 Insulator: PTFE Fluorocarbon per ASTM-D1710.
- 1.6 Dielectric Stop: Polyetherimide Thermoplastic (ULTEM 1000) per ASTM-D5205.

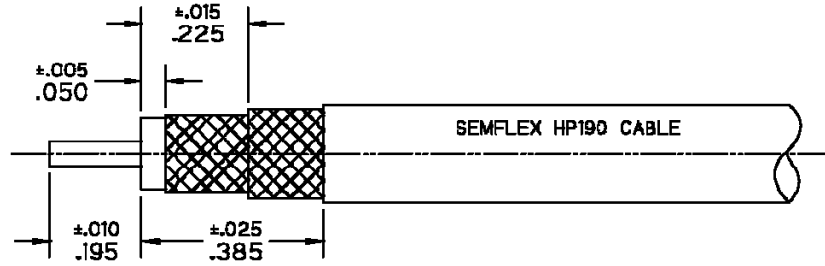
### 2.0 Finishes

- 2.1 Center Contact and Solder Ferrule: Gold Plate per ASTM-B488 50 Microinches Min. thickness over Electrolytic Nickel Plate per ASTM-B689 50 Microinches Min. thickness.
- 2.2 Body and Clamp Nuts: Passivated per SAE-AMS-2700.
- 2.3 O-Ring and Dielectrics: None.

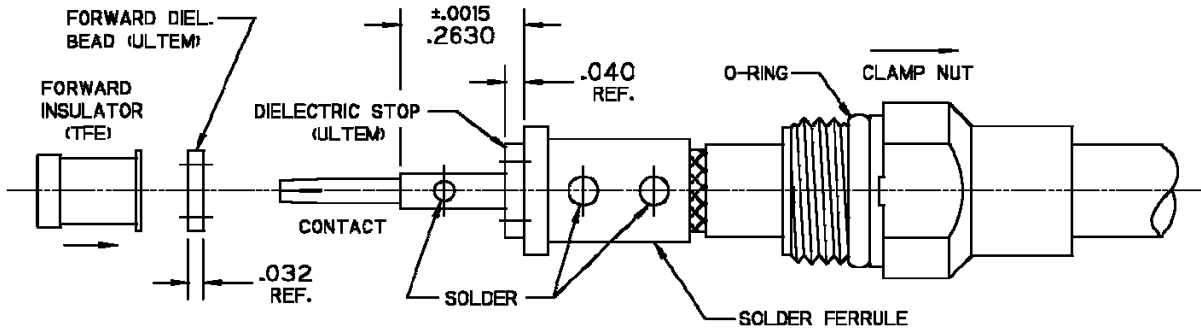
3.0 Interface: per Crystek Interface Specification CC-SMAJ.



# SMA Jack, Solder Clamp for Semflex HP190 Cable

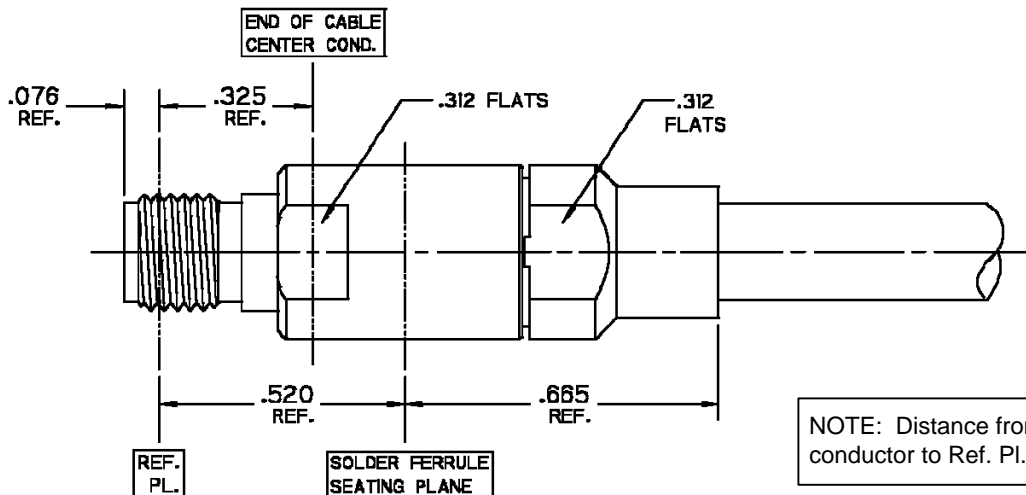


**Step 1** 1.1 Trim Cable as shown.



- 2.1 Slide clamp nut over cable as shown.
- 2.2 Solder cable to solder ferrule with dielectric flush with face of ferrule.
- 2.3 Slide dielectric stop ( $\varnothing 0.200$  OD) over cable center conductor and solder contact flush to stop to dimension shown.
- 2.4 Slide forward insulator and dielectric bead ( $\varnothing 0.173$  OD) onto contact.

**Step 2** 2.4 Slide forward insulator and dielectric bead ( $\varnothing 0.173$  OD) onto contact.



3.1 Insert cable/contact sub-assembly into connector until seated and tighten clamp nut to 25-35 in-lbs.

**Step 3**

**Product Control:**

Crystek Part Number:	CS-SF-MSC	Release Date:	04-Jan-11
Revision Level:	A	Responsible:	K. Piotrowicz



## X-ON Electronics

Largest Supplier of Electrical and Electronic Components

*Click to view similar products for [RF Connectors / Coaxial Connectors](#) category:*

*Click to view products by [Crystek](#) manufacturer:*

Other Similar products are found below :

[8915-1511-000](#) [89674-0827](#) [6001-7071-019](#) [6002-7051-003](#) [6002-7551-202](#) [6059674-1](#) [619550-1](#) [630059-000](#) [M39030/3-01N](#) [6500-7071-046](#) [6769](#) [CX050L2AQ](#) [7002-1541-010](#) [7002-1542-011](#) [7004-1512-000](#) [7009-1511-004](#) [7010-1511-000](#) [7029-1511-060](#) [7101-1541-010](#) [7101-1571-002](#) [7145-1521-002](#) [7203-1571-003](#) [7209-1511-011](#) [7210-1511-015](#) [7210-1511-019](#) [73137-5015](#) [73216-2241](#) [73404-2300](#) [7405-1521-005](#) [7405-1521-802](#) [8527](#) [8547](#) [FS11V](#) [877931](#) [9049-9513-000](#) [9074-9513-000](#) [9101-9573-002](#) [910A205F](#) [9130-9573-002](#) [PL11SC-026](#) [PL375-33](#) [PL40-5](#) [PL74C-221](#) [PL75MC-217](#) [PL803-7](#) [980-8666-005](#) [1200690078](#) [1-201144-1](#) [R107003010W](#) [R110A172100](#)