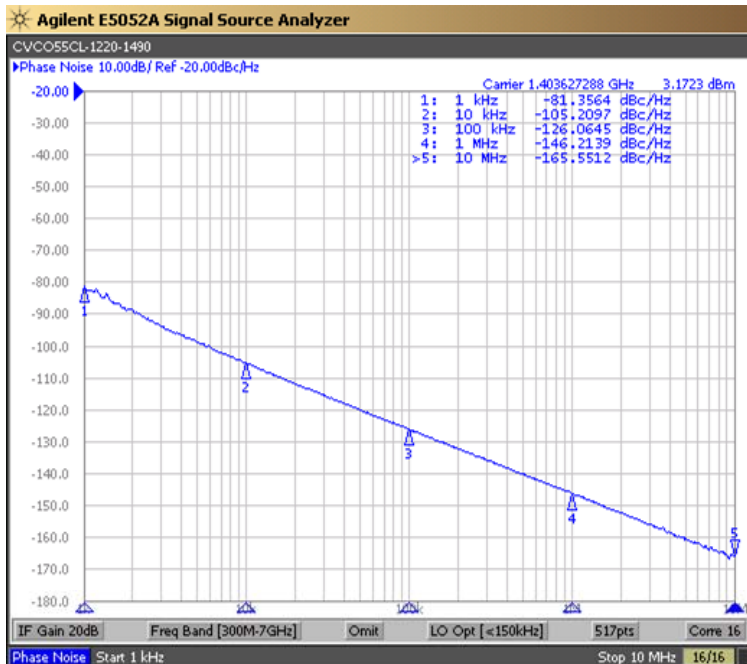


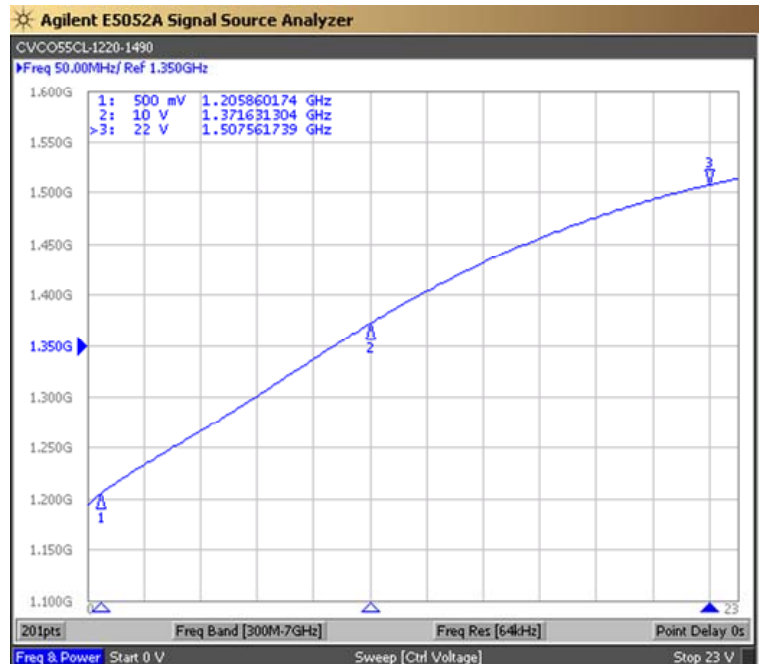


PERFORMANCE SPECIFICATION	MIN	TYP	MAX	UNITS
Lower Frequency:			1220	MHz
Upper Frequency:	1490			MHz
Tuning Voltage:	0.5		22.0	VDC
Supply Voltage:	7.75	8.0	8.25	VDC
Output Power:	0	+3.5	+7.0	dBm
Supply Current:			20	mA
Harmonic Suppression (2 nd Harmonic):		-15		dBc
Pushing:			2.0	MHz/V
Pulling, all Phases:			3.0	MHz pk-pk
Tuning Sensitivity:		20		MHz/V
Phase Noise @ 10kHz offset:		-103		dBc/Hz
Phase Noise @ 100kHz offset:		-123		dBc/Hz
Load Impedance:		50		Ω
Input Capacitance:			100	pF
Operating Temperature Range:	-40		+85	$^{\circ}$ C
Storage Temperature Range:	-45		+90	$^{\circ}$ C

Phase Noise (1 Hz BW, Typical)



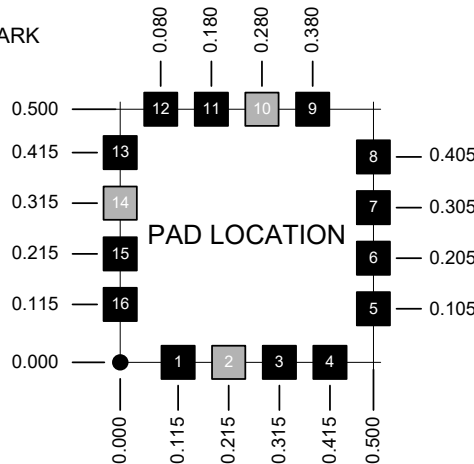
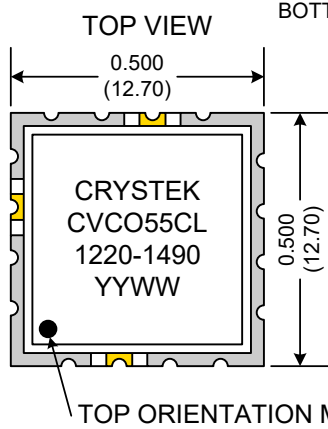
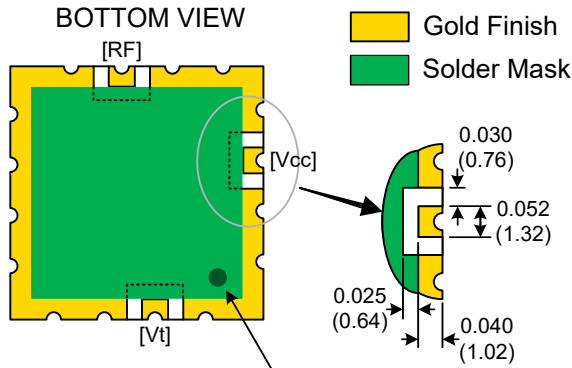
Tuning Curve (Typical)



Product Control:

Crystek Part Number:	CVCO55CL-1220-1490	Release Date:	26-May-2022
Revision Level:	F	Responsible:	C. Vales





Pad	Connection
2	Vt
10	RF-OUTPUT
14	Vcc
Others	GROUND

- Unless otherwise specified, Dimensions are in: $\frac{IN}{(mm)}$
- Pad Location Dimensions are in: Inches

TAPE AND REEL



Drawing not to scale

Product Control:

Crystek Part Number:	CVCO55CL-1220-1490	Release Date:	26-May-2022
Revision Level:	F	Responsible:	C. Vales

Crystek Corporation reserves the right to make changes to its products and/or information contained herein without notice. No liability is assumed as a result of its use or application.

X-ON Electronics

Largest Supplier of Electrical and Electronic Components

Click to view similar products for [VCO Oscillators](#) category:

Click to view products by [Crystek](#) manufacturer:

Other Similar products are found below :

[CVCO55FL-0136-0174](#) [CRBV55BE-3350-3500](#) [HMC739LP4ETR](#) [CVCO55CC-2520-2520](#) [CVCO55CXT-5700-5900](#) [CVCO55CL-0038-0042](#) [CVCO55BH-4940-4940](#) [CVCO33CL-0110-0150](#) [CVCO55CC-0440-0505](#) [CVCO55CC-0445-0508](#) [CVCO55CC-1515-1600](#) [CVCO55CC-1690-1750](#) [CVCO55CC-2300-2400](#) [CVCO55CC-2400-2400](#) [CVCO55CC-2400-2415](#) [CVCO55CC-2970-3230](#) [CVCO55CC-3901-4101](#) [CVCO55CC-4267-4442](#) [CVCO55CC-1260-1400](#) [CVCO55CC-1435-1491](#) [CVCO55CC-1912-2114](#) [CVCO55CC-2000-2300](#) [CVCO55CC-2010-2485](#) [CVCO55CC-2230-2430](#) [CVCO55CC-2500-2600](#) [CVCO55CC-2580-2650](#) [CVCO55CC-2745-2860](#) [CVCO55CC-2770-2920](#) [CVCO55CC-3205-3317](#) [CVCO55CC-3500-3700](#) [MAOC-009266-PKG003](#) [CVCO55CL-0800-0980](#) [CVCO55CL-0042-0046](#) [CVCO55CC-0805-0815](#) [CVCO55BE-2300-2575](#) [CRBV55BE-1530-2700](#) [CVCO55BE-1600-2700](#) [CVCO55CW-0400-0800](#) [CVCO55CM-0760-0870](#) [CVCO55CL-1100-1200](#) [CVCO55BE-2300-2450](#) [CVCO55CL-1487-1587](#) [CVCO55CL-1073-1086](#) [CVCO55CC-0380-0440](#) [CRBV55CL-0072-0076](#) [CVCO55CW-0800-1600](#) [CVCO55BE-1690-2062](#) [CVCO33BE-2200-2400](#) [CVCO45CL-0079-0111](#) [CVCO45CL-0100-0140](#)