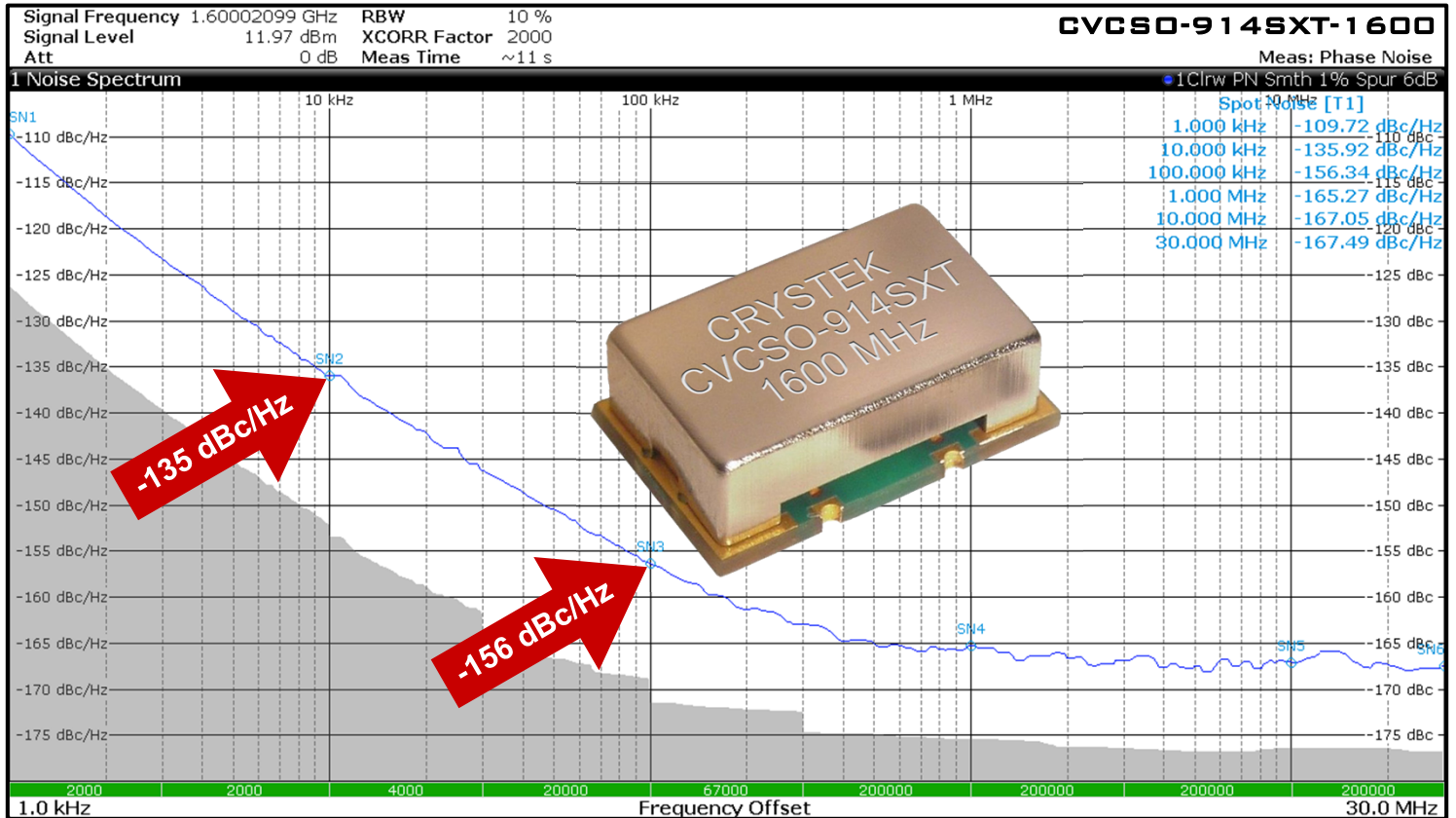


Ultra-Low Phase Noise Frequency Doubling SAW Based VCISO

CVCSO-914SXT Model
9×14 mm SMD, 5.0V, SineWave



Model CVCSO-914SXT is a voltage-controlled SAW (surface acoustic wave) Clock Oscillator (VCISO). SAW crystal technology provides low-noise and low-jitter performance with true sinewave output. Features include -133 dBc/Hz phase noise at 10 kHz offset at 1.6 GHz, 5V input voltage, -20°C to +70°C operating temperature, and 9×14 mm SMT package. The oscillator's second harmonic is typically -20 dBc.

Applications include PLL frequency translation, test and measurement, avionics, point-to-point radios, and multi-point radios.

Rev: H
Date: 20-Aug-2020
Page 1 of 4

Ultra-Low Phase Noise Frequency Doubling SAW Based VCSO

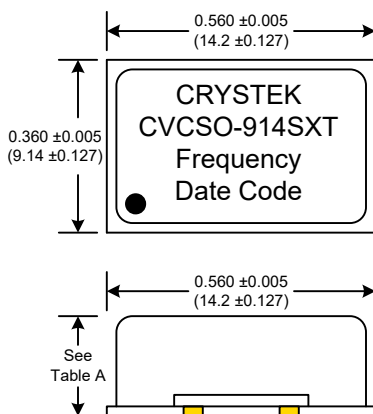
CVCSO-914SXT Model
9×14 mm SMD, 5.0V, SineWave

Frequency Range: 1244.160 MHz to 2000 MHz
Temperature Range: -20°C to +70°C (standard)
 (Option E): 0°C to 85°C
 (Option X): -40°C to 85°C
Storage: -40°C to 90°C
Input Voltage: 5.0V ±0.25V
Control Voltage Range: 0V to 5.0V
Tuning Sensitivity (Kv): +120 ppm/V Typical
Settability At Nominal (25°C): 1.5V +0.5V -1.0V
Frequency vs Temperature: ±200ppm Typical
Input Current: 60mA Typical, 70mA Max



Output: True SineWave
Pullability APR: ±50ppm Min
Linearity: ±20% Max
Output Power: +8dBm Min into 50 Ω Load
Start-Up Time: 2ms Typical, 10ms Max
2nd Harmonic: -20dBc Typical
 (Nominal Frequency)/2: -15dBc Max
Modulation BW: >20kHz @ -3dB

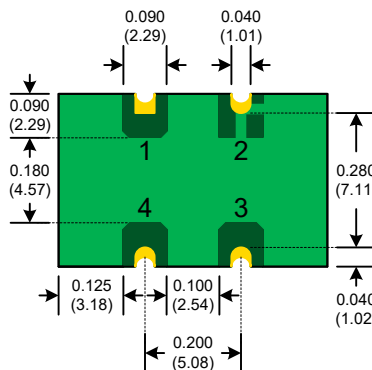
G-sensitivity: 0.9×10^{-9} per G
Weight: 0.816 g



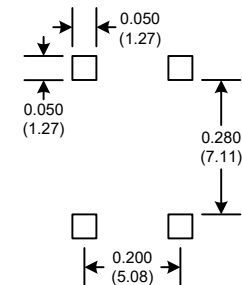
Package Height Options (Max)

	inches	mm
Standard	0.210	5.33
Option L	0.135	3.43

Table A



SUGGESTED PAD LAYOUT



PAD FINISH: Immersion Gold (ENIG); 5 micro inches maximum

Pad	Connection
1	Volt. Control
2	GND
3	Output
4	Vdd

Rev: H
 Date: 20-Aug-2020
 Page 2 of 4

Ultra-Low Phase Noise Frequency Doubling SAW Based VCSO

CVCSO-914SXT Model
9×14 mm SMD, 5.0V, SineWave

Crystek Part Number Guide

CVCSO - 914SXT X L - 1500.000

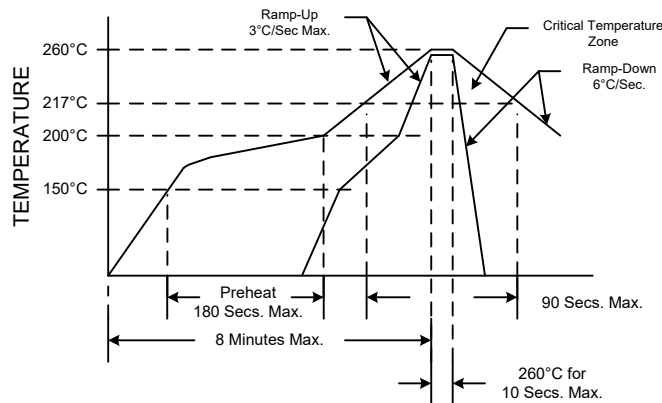
#1	#2	#3	#4	#5
#1 Crystek Voltage Control Saw Oscillator				
#2 Model 914SXT				
#3 Temperature Range (Blank = -20°C to 70°C) (E = 0°C to 85°C) (X = -40°C to 80°C)				
#4 Height (L = 0.135") (Blank = 0.210")				
#5 Frequency in MHz: 3 or 6 decimal places				

Available Frequencies (MHz):

1244.160	1600
1500	2000

Custom Frequencies Available with NRE Fee

RECOMMENDED REFLOW SOLDERING PROFILE



NOTE: Reflow Profile with 240°C peak also acceptable.

Parameter	Conditions
Mechanical Shock	MIL-STD-883, Method 2002, Condition B
Mechanical Vibration	MIL-STD-883, Method 2007, Condition A
Solderability	MIL-STD-883, Method 2003
Solvent Resistance	MIL-STD-202, Method 215
Resistance to Soldering Heat	MIL-STD-202, Method 210, Condition I or J
Thermal Shock	MIL-STD-883, Method 1011, Condition A
Moisture Resistance	MIL-STD-883, Method 1004

Rev: H

Date: 20-Aug-2020

Page 3 of 4

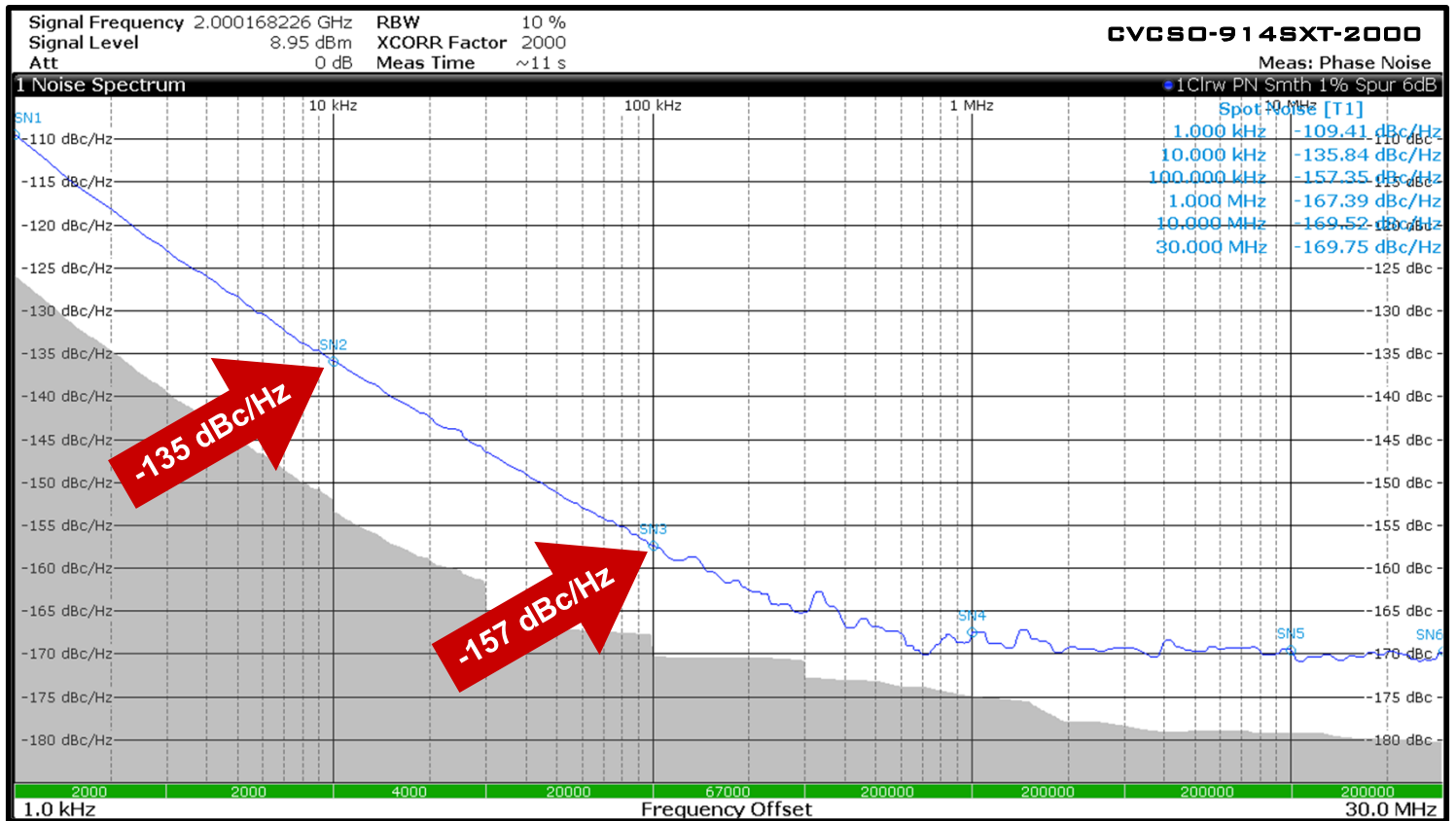


CRYSTEK
CRYSTALS
A DIVISION OF CRYSTEK CORPORATION



Ultra-Low Phase Noise Frequency Doubling SAW Based VCSO

CVCSO-914SXT Model
9x14 mm SMD, 5.0V, SineWave



Crystek Corporation reserves the right to make changes to its products and/or information contained herein without notice. No liability is assumed as a result of its use or application.

Rev: H
Date: 20-Aug-2020
Page 4 of 4



16850 ORIDLE ROAD • FORT MYERS, FLORIDA 33912
PHONE: 239-561-3311 • 800-237-3061
WWW.CRYSTEK.COM

X-ON Electronics

Largest Supplier of Electrical and Electronic Components

Click to view similar products for [VCSO Oscillators](#) category:

Click to view products by [Crystek](#) manufacturer:

Other Similar products are found below :

[CVCSSO-914SXTXL-1500.000](#) [XG-2102CA 312.5000M-LGRN](#) [CCSO-914X-245.760](#) [CCSO-914X-1000](#) [CCSO-914X-250.000](#) [CCSO-914X3-1000](#) [VS-705-ECE-KAAN-155M520000](#) [VS-705-ECE-KAAN-983M040000](#) [VS-705-ECE-SAAN-156M250000](#)