



CRYSTEK
MICROWAVE
 A DIVISION OF CRYSTEK CORPORATION

RF
POCKET
REFERENCE
OSCILLATOR

New
RFPRO Series



Actual Size

Crystek's new **RFPRO** Series, **RF Pocket Reference Oscillator** is an industry first! A complete SineWave SAW(surface acoustic wave) oscillator has been integrated in a rugged SMA housing. Simply connect +3.3Vdc to the female SMA side, and it will output a clean -135dBc/Hz phase noise signal at 10Khz offset. In effect, each **RFPRO** is a fixed frequency portable signal generator with an operating temperature of -20°C to 70°C. Available off the shelf in 500Mhz and 1Ghz frequency output. Perfect for Lab use.



CRYSTEK
 CORPORATION

12730 COMMONWEALTH DRIVE • FORT MYERS, FL 33913
 PHONE: 239-561-3311 • 800-237-3061
 FAX: 239-561-1025 • WWW.CRYSTEK.COM

Rev.: A
 Date: 06-29-09



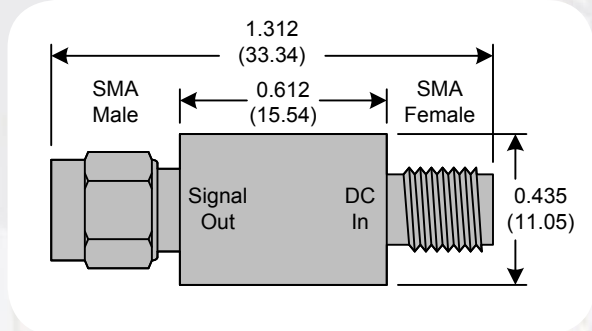
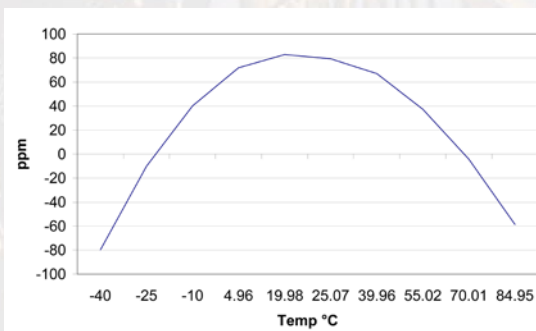
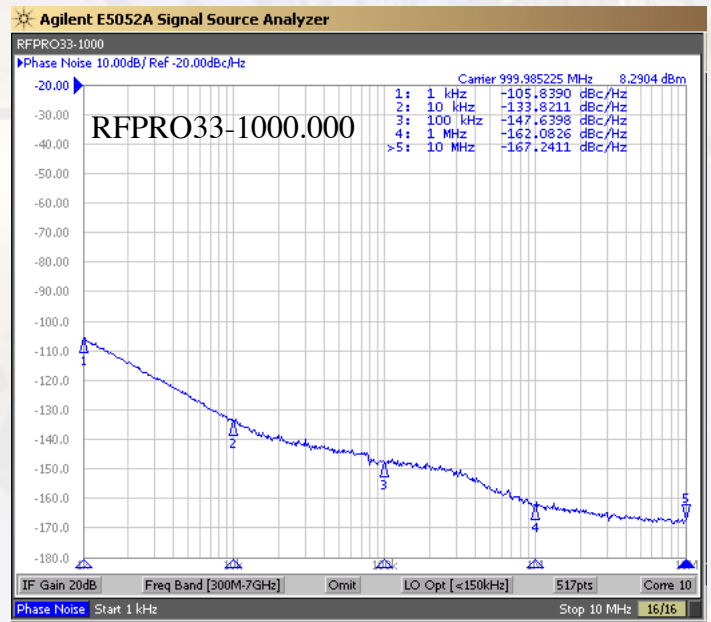
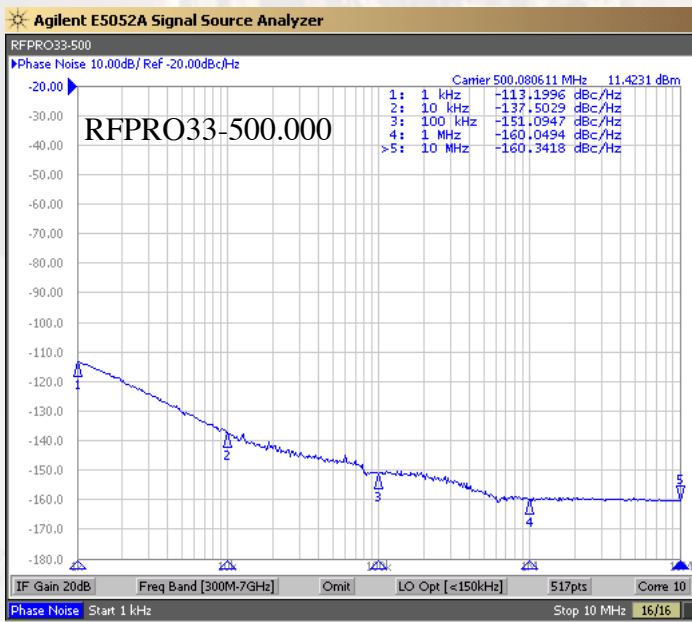
CRYSTEK
MICROWAVE
A DIVISION OF CRYSTEK CORPORATION

RF POCKET REFERENCE OSCILLATOR

Temperature Range: -20°C to +70°C
Storage: -45°C to 90°C
Input Voltage: +3.3V ± 0.15V
Freq. vs Temp.(Typ.) +100ppm / -150ppm
Input Current: 20mA Typ., 25mA Max

Output: SineWave
Output Power: +7dBm Min. into 50 Ohm Load
Start-up Time: 2ms Typ., 10ms Max
2nd Harmonics: -14dBc Typ., -10dBc Max
Sub-harmonics: none
Phase Jitter: <1ps RMS (1-sigma) Max

Visit our Website for additional Information
WWW.CRYSTEK.COM



CRYSTEK
CORPORATION

12730 COMMONWEALTH DRIVE • FORT MYERS, FL 33913
 PHONE: 239-561-3311 • 800-237-3061
 FAX: 239-561-1025 • WWW.CRYSTEK.COM

Rev: A
 Date: 06-29-09

X-ON Electronics

Largest Supplier of Electrical and Electronic Components

Click to view similar products for [Standard Clock Oscillators](#) category:

Click to view products by [Crystek](#) manufacturer:

Other Similar products are found below :

[601252](#) [F335-25](#) [F535L-33.333](#) [F535L-50](#) [ECS-2018-160-BN-TR](#) [MXO45HS-2C-66.6666MHZ](#) [SiT1602BI-22-33E-50.000000E](#) [SiT8209AI-32-33E-125.000000](#) [SIT8918AA-11-33S-50.000000G](#) [SM4420TEV-40.0M-T1K](#) [F335-24](#) [F335-40](#) [F535L-10](#) [F535L-12](#) [F535L-16](#) [F535L-24](#) [F535L-27](#) [F535L-48](#) [PE7744DW-100.0M](#) [CSX-750FCC14745600T](#) [ASF1-3.686MHZ-N-K-S](#) [XO57CTECNA3M6864](#) [ECS-2100A-147.4](#) [601251](#) [EP16E7E2H26.000MTR](#) [SIT8918AA-11-33S-16.000000G](#) [XO3003](#) [9120AC-2D2-33E212.500000](#) [9102AI-243N25E100.00000](#) [8208AC-82-18E-25.00000](#) [ASDK2-32.768KHZ-LR-T3](#) [8008AI-72-XXE-24.545454E](#) [8004AC-13-33E-133.33000X](#) [AS-4.9152-16-SMD-TR](#) [ASFL1-48.000MHZ-LC-T](#) [SIT8920AM-31-33E-25.0000](#) [DSC1028DI2-019.2000](#) [9121AC-2C3-25E100.00000](#) [9102AI-233N33E100.00000X](#) [9102AI-233N25E200.00000](#) [9102AI-232H25S125.00000](#) [9102AI-133N25E200.00000](#) [9102AC-283N25E200.00000](#) [9001AC-33-33E1-30.000](#) [3921AI-2CF-33NZ125.000000](#) [5730-1SF](#) [PXA000010](#) [8003AI-12-33S-40.00000Y](#) [1602BI-13-33S-19.200000E](#) [8208AI-2F-18E-25.000000X](#)