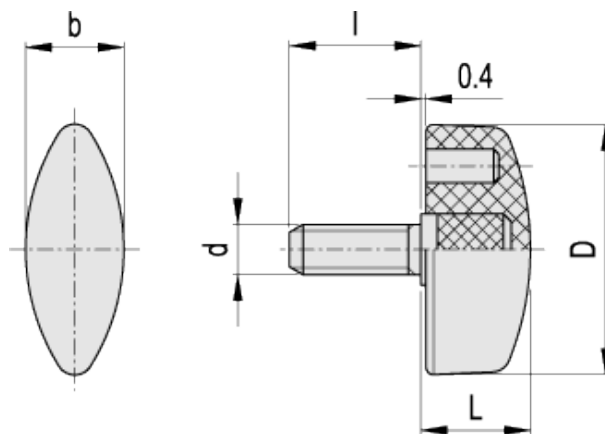


CT.476 p

Wing knobs



ELESA Original design



technical informations

Material

Glass-fibre reinforced polyamide based (PA) technopolymer. Resistant to solvents, oils, greases and other chemical agents.

Colour

Black, matte finish.

Standard execution

Zinc-plated steel threaded stud, chamfered flat end according to UNI 947 : ISO 4753 (see [Technical Data](#)).

Features and applications

These wing knobs allow high tightening torque values.

Standard Elements		Main dimensions			Threaded stud		C #	Weight
Code	Description	D	L	b	d _{6g}	l	[Nm]	g

8261	CT.476/20 p-M4x6	20	11	9.5	M4	6	6	4
8262	CT.476/20 p-M4x10	20	11	9.5	M4	10	6	4
8311	CT.476/25 p-M5x10	26	13	11	M5	10	8	6
8312	CT.476/25 p-M5x16	26	13	11	M5	16	8	7
8361	CT.476/30 p-M6x10	32	15	13	M6	10	14	8
8362	CT.476/30 p-M6x16	32	15	13	M6	16	14	10
8363	CT.476/30 p-M6x20	32	15	13	M6	20	14	11
8364	CT.476/30 p-M6x25	32	15	13	M6	25	14	12
8366	CT.476/30 p-M6x30	32	15	13	M6	30	14	13
8365	CT.476/30 p-M6x40	32	15	13	M6	40	14	14
8371	CT.476/30 p-M8x16	32	15	13	M8	16	16	13
8372	CT.476/30 p-M8x25	32	15	13	M8	25	16	16
8373	CT.476/30 p-M8x40	32	15	13	M8	40	16	20
8462	CT.476/40 p-M8x16	40	17	15.5	M8	16	18	15
8464	CT.476/40 p-M8x25	40	17	15.5	M8	25	18	16
8466	CT.476/40 p-M8x40	40	17	15.5	M8	40	18	22
8472	CT.476/40 p-M10x20	40	17	15.5	M10	20	28	25
8474	CT.476/40 p-M10x30	40	17	15.5	M10	30	28	27
8476	CT.476/40 p-M10x40	40	17	15.5	M10	40	28	31
8521	CT.476/48 p-M8x16	48	19	19	M8	16	20	18
8524	CT.476/48 p-M8x25	48	19	19	M8	25	20	21
8572	CT.476/56 p-M10x20	56	23	21	M10	20	40	35
8574	CT.476/56 p-M10x30	56	23	21	M10	30	40	39

"Max limit Tightening torque" means the max torque value at which the metal insert, in normal conditions of use, is perfectly and strongly anchored to the plastic material.



ELESA and GANTER models all rights reserved in accordance with the law. Always mention the source when reproducing our drawings.

STANDARD MACHINE ELEMENTS WORLDWIDE

X-ON Electronics

Largest Supplier of Electrical and Electronic Components

Click to view similar products for [Knobs & Dials](#) category:

Click to view products by [Elesa & Ganter](#) manufacturer:

Other Similar products are found below :

[015-2-11](#) [61-9028.20](#) [61-9028.9](#) [8529](#) [8573](#) [11K5015-EMNB](#) [11K5019-ECNB](#) [11K5020-KLAB](#) [11K5028-JMNG](#) [11K5048-KMNB](#) [11K5014-EMNB](#) [11K5019-EMNB](#) [11K5029-KMNG](#) [P400S-08-D6-N](#) [K6510](#) [KNSL500B1/8](#) [27708-2](#) [T48901](#) [AL811BA18](#) [420031B18](#) [5006](#) [51216](#) [\(GREY\)](#) [KB700BA1/4](#) [KS700B14](#) [411](#) [5149A](#) [028-1-11](#) [52-928.20](#) [52-928.60](#) [52-928.9](#) [8517](#) [8545](#) [8546](#) [8570](#) [8572](#) [H-516-3A](#) [P861H-0X-S6](#) [8544](#) [11K5014-JMNG](#) [11K5014-KMNG](#) [11K5014-ECNG](#) [5700E](#) [KA500B18](#) [KFS600B14](#) [KN900AB14](#) [KFS500B14](#) [KNS501B18](#) [PKD60B1018](#) [PK1100B18](#) [PKES140B14](#)