

# CT10 SERIES ENCAPSULATED MOLDED SWITCH



## CT10 Series


The CT10 is an encapsulated molded dry reed switch. It is single-pole, single throw (SPST) type, having normally open ruthenium contacts.

The sensor is a double-ended type and may be actuated with an electromagnet, a permanent magnet or a combination of both.

The device is designed for SMD mounting and is available in three lead configurations.

\* NEW CT10-G2 now 260 °C process temperature hardy.

## CT10 Series Features

- ▶ Ideal for SMD pick and place
- ▶ Tape and reel packaging
- ▶ 10W rating
- ▶ Rugged encapsulation
- ▶ Excellent life and reliability
- ▶ RoHS compliant 

## APPLICATIONS

- ▶ Proximity Sensing
- ▶ Security Alarm Sensor
- ▶ Level Sensor
- ▶ Flow Sensor
- ▶ Pulse Counter

MODEL NUMBER	CT10-XXXX-YY	
Parameters	Units	
<b>OPERATING CHARACTERISTICS</b>		
Operate Range	AT	10-40
Release Range	AT	3-35
<b>ELECTRICAL CHARACTERISTICS</b>		
Switched Power (max)	W	10
Switched Voltage DC (max)	V	200
Switched Voltage AC, RMS value (max)	V	140
Switched Current DC (max)	mA	500
Switched Current AC, RMS value (max)	mA	500
Carry Current DC (max)	A	0.5
Breakdown Voltage (min)	V	230
Contact Resistance (initial max)	mΩ	200
Insulation Resistance (min)	MΩ	10 <sup>6</sup>
<b>ENVIRONMENTAL RATINGS</b>		
Storage Temperature	°C	-40 to + 125
Operating Temperature	°C	-40 to + 125
Vibration Resistance	G	10
Shock Resistance	G	100

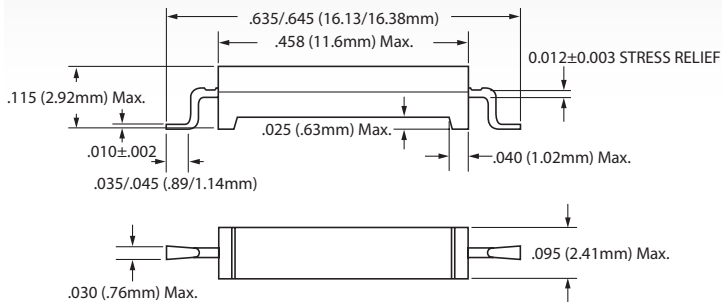
## NOTES

- ▶ AT values measured using a Philips 10JK coil.
- ▶ Surface mount component processing temperature Model G1 & G2: 500°F(260°C) max for 1 minute dwell time; Model G4 & A2: 439°F(226°C) max for 1 minute dwell time.
- ▶ Temperature measured on leads where lead exits molded package.

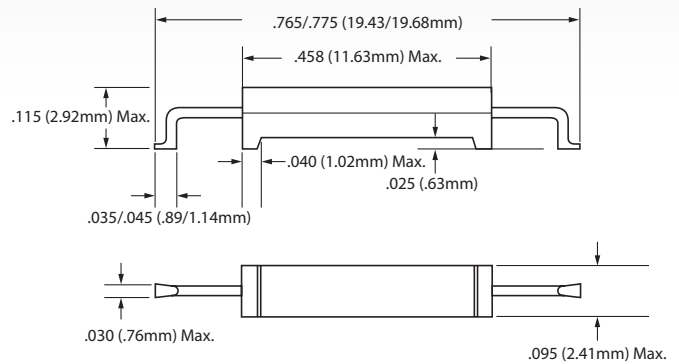
## DIMENSIONS

*in Inches (Millimeters)*

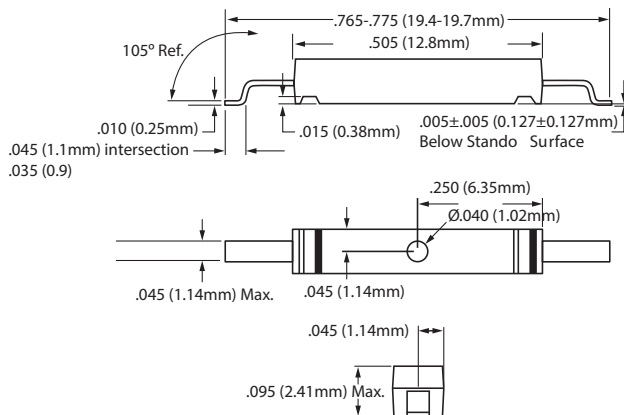
### CT10-XXXX-G1



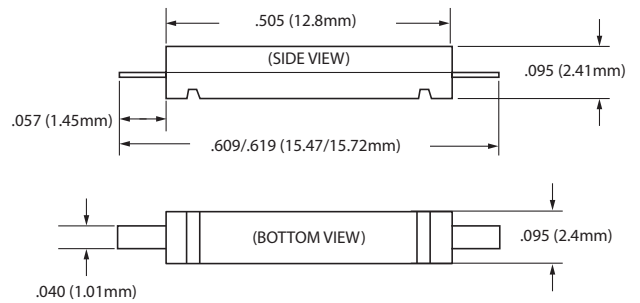
### CT10-XXXX-G2



### CT10-XXXX-G4



### CT10-XXXX-A2



## ORDERING INFORMATION

A complete part number is represented by the digits to the right of the CT10 series prefix followed by a suffix as shown below.

**EXAMPLE:** CT10-1030-G1 is  
 a CT10 sensor (10mm encapsulated switch)  
 with a sensitivity range from 10 to 30AT  
 lead ends are formed according to the G1 version

### CT10-XXXX-YY

**Series**  
CT10

#### Lead Configuration Subset:

**G1** for Gull Wing Version 1 (16.4mm)  
**G2/G4** for Gull Wing Version 2 (19.6mm)  
**A2** for Axial

**AT Range** (measured after mold & lead form)  
 10-30; 10-40

06242015

## X-ON Electronics

Largest Supplier of Electrical and Electronic Components

*Click to view similar products for [Magnetic/Reed Switches](#) category:*

*Click to view products by [Coto](#) manufacturer:*

Other Similar products are found below :

[59200-020](#) [MDSR-4-12-23](#) [MMRB20006](#) [PSW-21](#) [AMS-17-B](#) [AMS-20MG](#) [AMS-37-G\\_W/Brk](#) [AMS-38S-I](#) [AMS-38SW](#) [AMS-39B-B](#)  
[AMS-39B-W](#) [HRB10030](#) [2116900170](#) [AMS-10S-B](#) [AMS-25B-B](#) [AMS-37BROWN](#) [AMS-38MG](#) [AMS-38SB](#) [AMS-9-B](#) [AMS-T10C\(B\)](#)  
[4350238](#) [505-171W WHITE](#) [505-211B](#) [505-391G](#) [505-5114W WHITE](#) [505-70B](#) [507-382B](#) [BMC-33B](#) [HM00-01800](#) [4350186](#) [505-101-GC](#)  
[505-101-GS](#) [505-101WC](#) [505-101-WS](#) [505-172W](#) [505-201W](#) [505-392W](#) [505-90G](#) [505-90I](#) [507-381BB](#) [RSW-21A-I](#) [ODC-56B](#) [FF6-21-DC-](#)  
[03-SS](#) [FF6-11-AC-06](#) [FF6-21-AC-06](#) [DRR-129\(42-48\)](#) [ODC-56A](#) [AMS-10MGW](#) [AMS-37B GRAY](#) [649.0642.305](#)