



## Input 4-Pin Mini-Flat Phototransistor Optocoupler

### Features

- High isolation 3750  $V_{RMS}$
- Multiple CTR selection available
- Creepage distance  $\geq 5\text{mm}$
- Operating temperature range - 55 °C to 110 °C
- Green Package
- Regulatory Approvals
  - UL - UL1577 (Pending Approval)
  - VDE - EN60747-5-5 (Pending Approval)
  - CQC – GB4943.1, GB8898 (Pending Approval)
  - IEC60065, IEC60950 (Pending Approval)

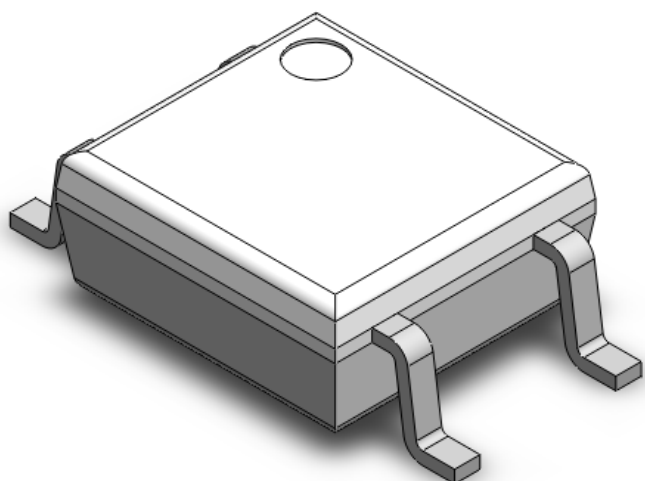
### Description

CT185GB of general purpose optocoupler consists of a photo transistor optically coupled to a gallium arsenide Infrared-emitting diode in a 4-lead Mini-Flat package.

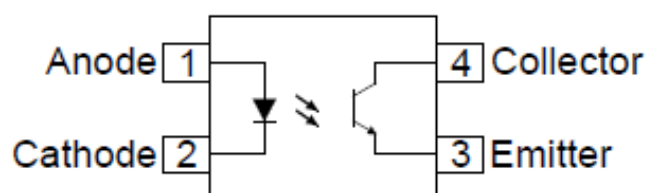
### Applications

- DC-DC Converters
- Programmable controllers
- Telecommunication equipment
- Hybrid substrates that require high density mounting

### Package Outline



### Schematic



CT185

**Input 4-Pin Mini-Flat Phototransistor Optocoupler****Absolute Maximum Rating at 25°C**

<b>Symbol</b>	<b>Parameters</b>	<b>Ratings</b>	<b>Units</b>	<b>Notes</b>
V <sub>ISO</sub>	Isolation voltage	3750	V <sub>RMS</sub>	
T <sub>OPR</sub>	Operating temperature	-55 ~ +110	°C	
T <sub>STG</sub>	Storage temperature	-55 ~ +150	°C	
T <sub>SOL</sub>	Soldering temperature	260	°C	
P <sub>TOT</sub>	Total power dissipation	200	mW	
<b>Emitter</b>				
I <sub>F</sub>	Forward current	50	mA	
I <sub>F(TRANS)</sub>	Peak transient current (≤1μs P.W,300pps)	1	A	
V <sub>R</sub>	Reverse voltage	6	V	
P <sub>D</sub>	Power dissipation	70	mW	
<b>Detector</b>				
P <sub>C</sub>	Power dissipation	150	mW	
B <sub>VCEO</sub>	Collector-Emitter Breakdown Voltage	80	V	
B <sub>VECO</sub>	Emitter-Collector Breakdown Voltage	7	V	
I <sub>C</sub>	Collector Current	50	mA	

**Input 4-Pin Mini-Flat Phototransistor Optocoupler****Electrical Characteristics**  $T_A = 25^\circ\text{C}$  (unless otherwise specified)**Emitter Characteristics**

<b>Symbol</b>	<b>Parameters</b>	<b>Test Conditions</b>	<b>Min</b>	<b>Typ</b>	<b>Max</b>	<b>Units</b>	<b>Notes</b>
$V_F$	Forward voltage	$I_F = 10\text{mA}$	-	1.24	1.4	V	
$I_R$	Reverse Current	$V_R = 5\text{V}$	-	-	5	$\mu\text{A}$	
$C_{IN}$	Input Capacitance	$f = 1\text{MHz}$	-	10	250	pF	

**Detector Characteristics**

<b>Symbol</b>	<b>Parameters</b>	<b>Test Conditions</b>	<b>Min</b>	<b>Typ</b>	<b>Max</b>	<b>Units</b>	<b>Notes</b>
$B_{V_{CEO}}$	Collector-Emitter Breakdown	$I_C = 500\mu\text{A}$	80	-	-	V	
$B_{V_{ECO}}$	Emitter-Collector Breakdown	$I_E = 100\mu\text{A}$	7	-	-	V	
$I_{CEO}$	Collector-Emitter Dark Current	$V_{CE} = 48\text{V}$	-	0.01	0.08	$\mu\text{A}$	
		$V_{CE} = 48\text{V}, T_A = 85^\circ\text{C}$	-	2	50	$\mu\text{A}$	
$C_{CE}$	Collector-Emitter Capacitance	$f = 1\text{MHz}$	-	10	-	pF	

**Transfer Characteristics**

<b>Symbol</b>	<b>Parameters</b>	<b>Test Conditions</b>	<b>Min</b>	<b>Typ</b>	<b>Max</b>	<b>Units</b>	<b>Notes</b>
CTR	Current Transfer Ratio	$I_F = 5\text{mA}, V_{CE} = 5\text{V}$	100	-	400	%	
		$I_F = 1\text{mA}, V_{CE} = 0.4\text{V}$	30	-	-	%	
$V_{CE(SAT)}$	Collector-Emitter Saturation Voltage	$I_F = 8\text{mA}, I_C = 2.4\text{mA}$	-	-	0.3	V	
$I_{C(off)}$	Off-state collector current	$V_{CE} = 48\text{V}, V_F = 0.7\text{V}$	-	1	10	$\mu\text{A}$	



## Input 4-Pin Mini-Flat Phototransistor Optocoupler

## Isolation Characteristics

Symbol	Parameters	Test Conditions	Min	Typ	Max	Units	Notes
R <sub>IO</sub>	Isolation Resistance	V <sub>IO</sub> = 500V <sub>DC</sub>	1x10 <sup>12</sup>	10 <sup>14</sup>	-	Ω	
C <sub>IO</sub>	Isolation Capacitance	f=1MHz	-	0.5	-	pF	
V <sub>ISO</sub>	Isolation voltage	AC, 60s	3750	-	-	V <sub>rms</sub>	
		AC, 1s in oil	-	10000	-		
		DC, 60s in oil	-	10000	-		

## Switching Characteristics

Symbol	Parameters	Test Conditions	Min	Typ	Max	Units	Notes
t <sub>r</sub>	Rise Time	V <sub>CC</sub> = 10V, I <sub>C</sub> = 2mA, R <sub>L</sub> = 100Ω	-	5	-	μs	
t <sub>f</sub>	Fall Time		-	9	-		
t <sub>on</sub>	Turn-on time		-	9	-		
t <sub>off</sub>	Turn-off time		-	9	-		
t <sub>on</sub>	Turn-on time	V <sub>CC</sub> = 5V, I <sub>F</sub> = 16mA, R <sub>L</sub> = 1.9kΩ	-	2	-		
t <sub>s</sub>	Storage time		-	30	-		
t <sub>off</sub>	Turn-off time		-	70	-		



# Input 4-Pin Mini-Flat Phototransistor Optocoupler

## Typical Characteristic Curves

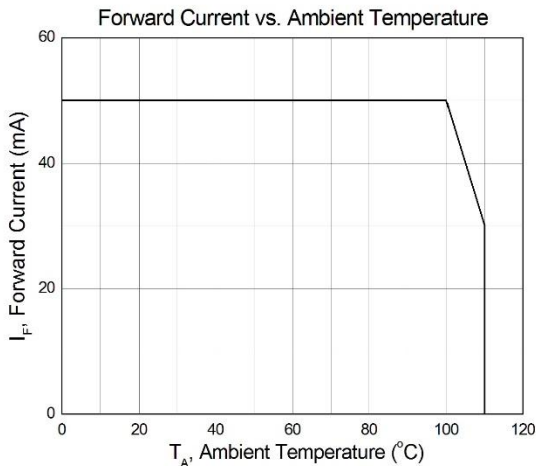


Figure 1

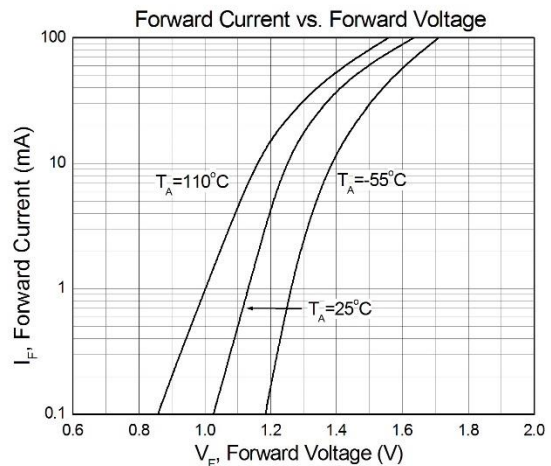


Figure 2

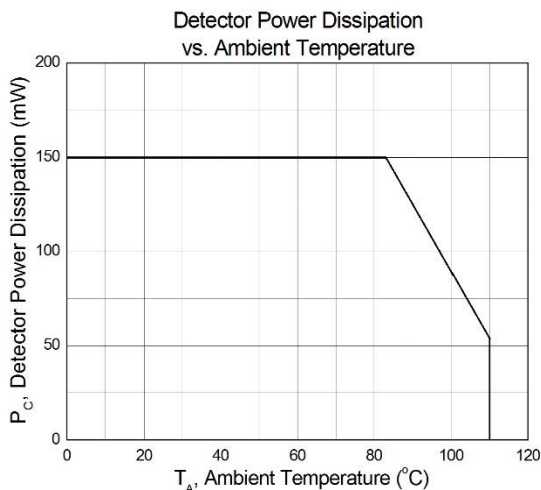


Figure 3

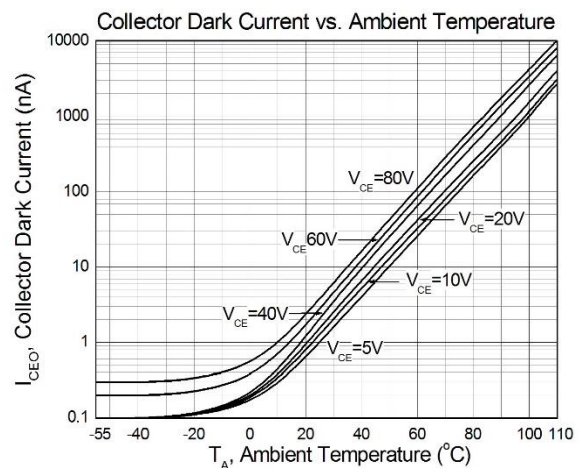


Figure 4

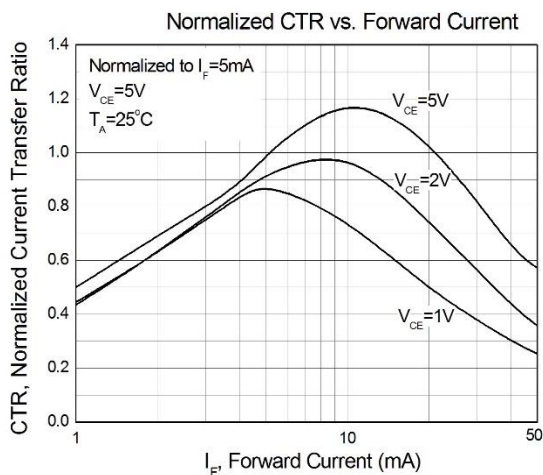


Figure 5

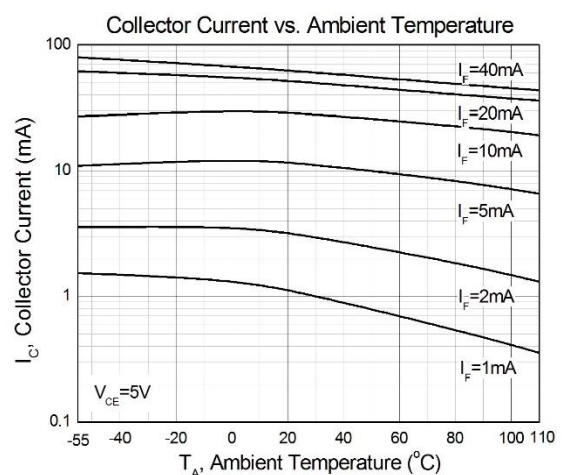


Figure 6



Input 4-Pin Mini-Flat Phototransistor Optocoupler

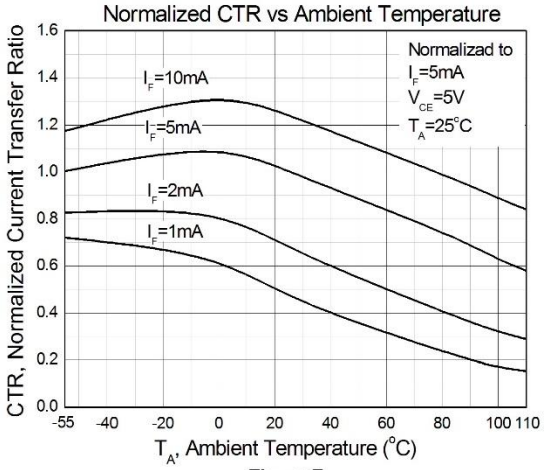


Figure 7

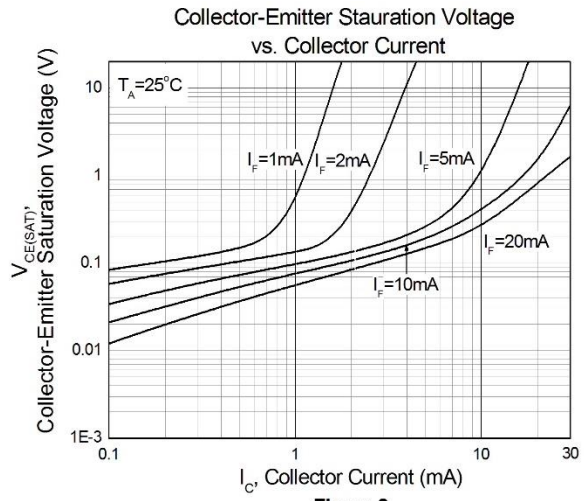


Figure 8

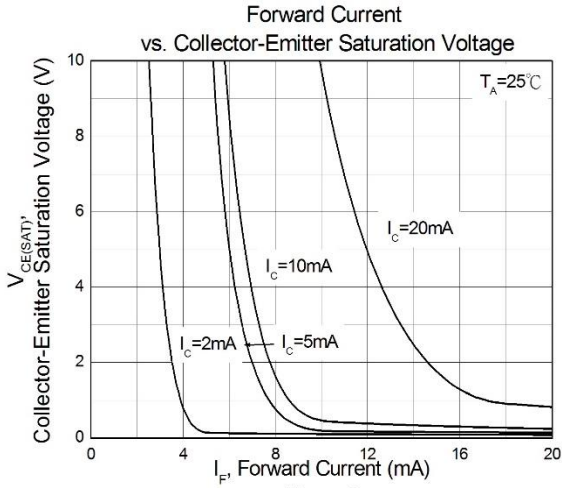


Figure 9

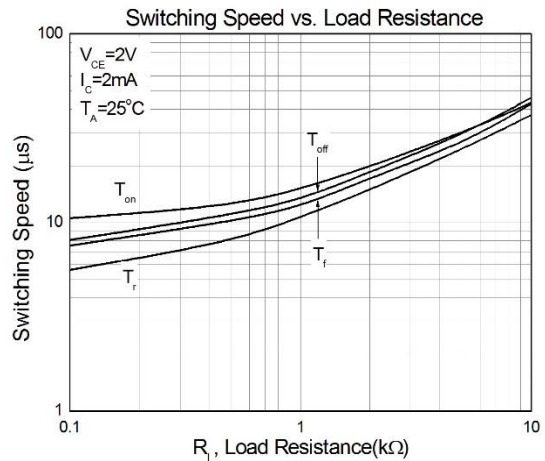


Figure 10

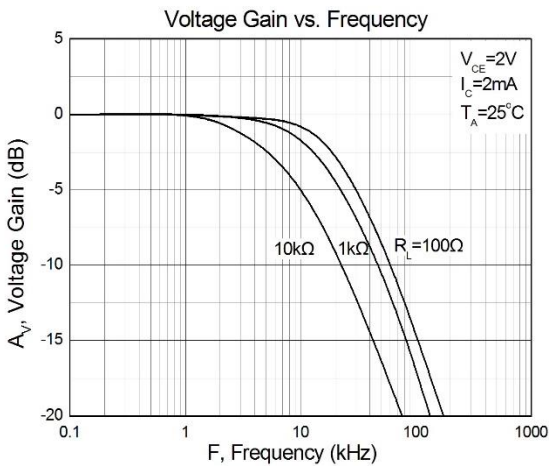
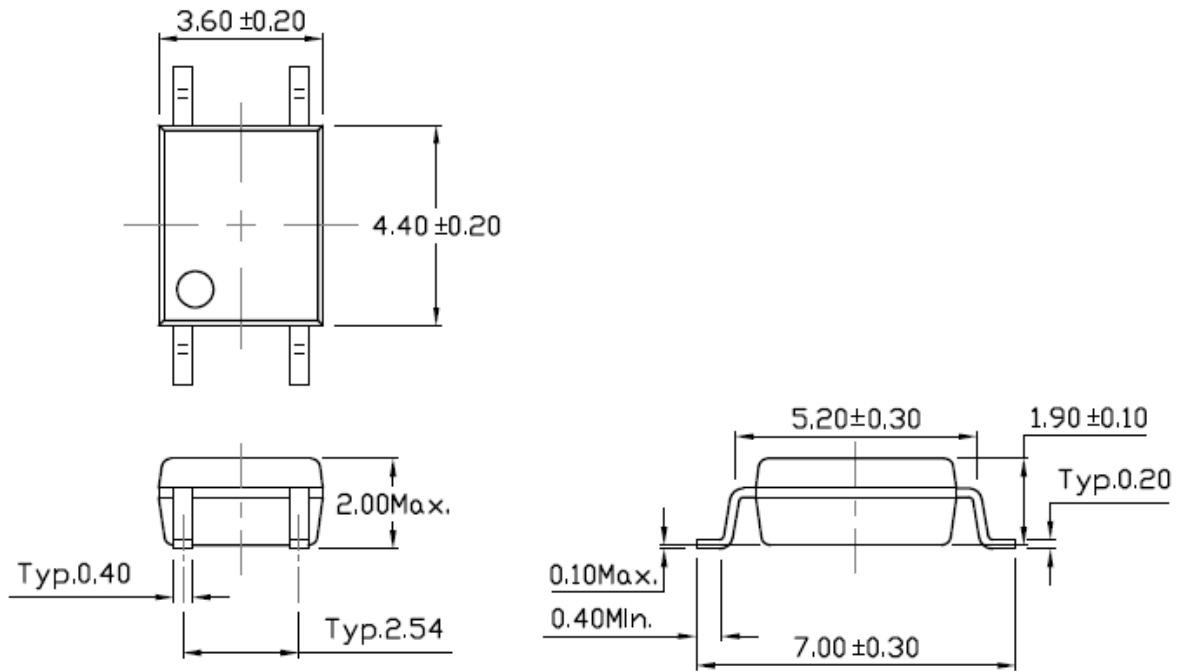


Figure 11

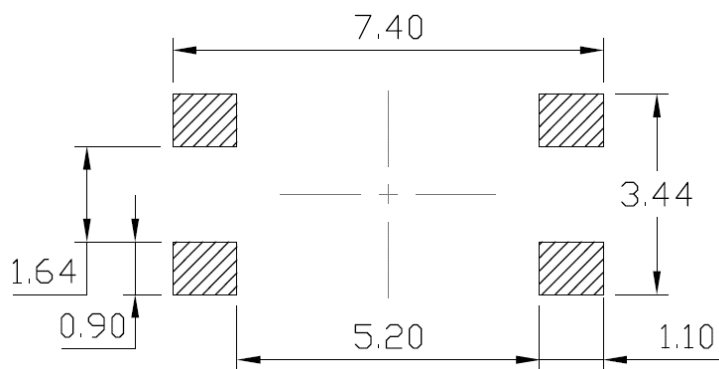


# Input 4-Pin Mini-Flat Phototransistor Optocoupler

## Package Dimension *Dimensions in mm unless otherwise stated*



## Recommended Solder Mask *Dimensions in mm unless otherwise stated*





## Input 4-Pin Mini-Flat Phototransistor Optocoupler

### Marking Information



**Note:**

- CT : Denotes “CT Micro”
- 185 : Part Number
- GB : CTR Rank
- V : VDE Safety Option (V or none)
- Y : Fiscal Year
- WW : Work Week
- K : Manufacturing Code

### Ordering Information

#### CT185GB(V)(Y)

- CT : Denotes “CT Micro”
- 185 : Part Number
- GB : CTR Rank
- V : VDE Safety Option (V or none)
- Y : Tape and reel option (T1 or T2)

<b>Option</b>	<b>Description</b>	<b>Quantity</b>
T1	Surface Mount Lead Forming – With Option 1 Tapping	3000 Units/Reel
T2	Surface Mount Lead Forming – With Option 2 Tapping	3000 Units/Reel

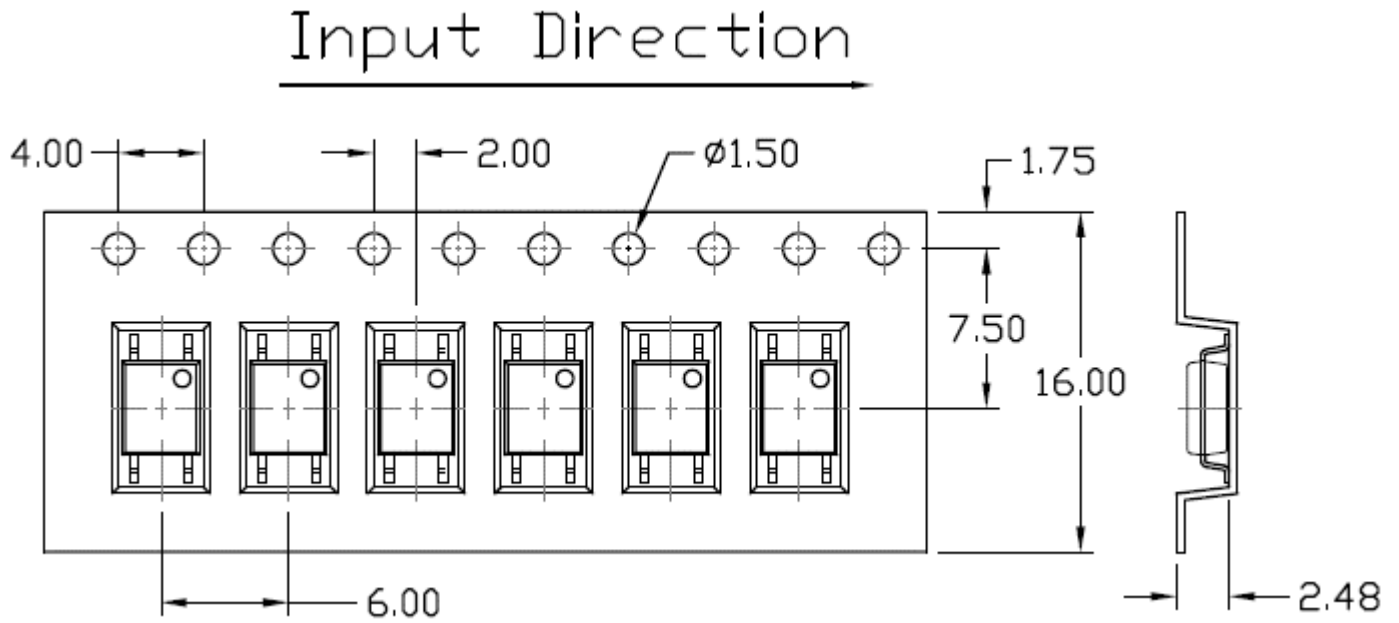




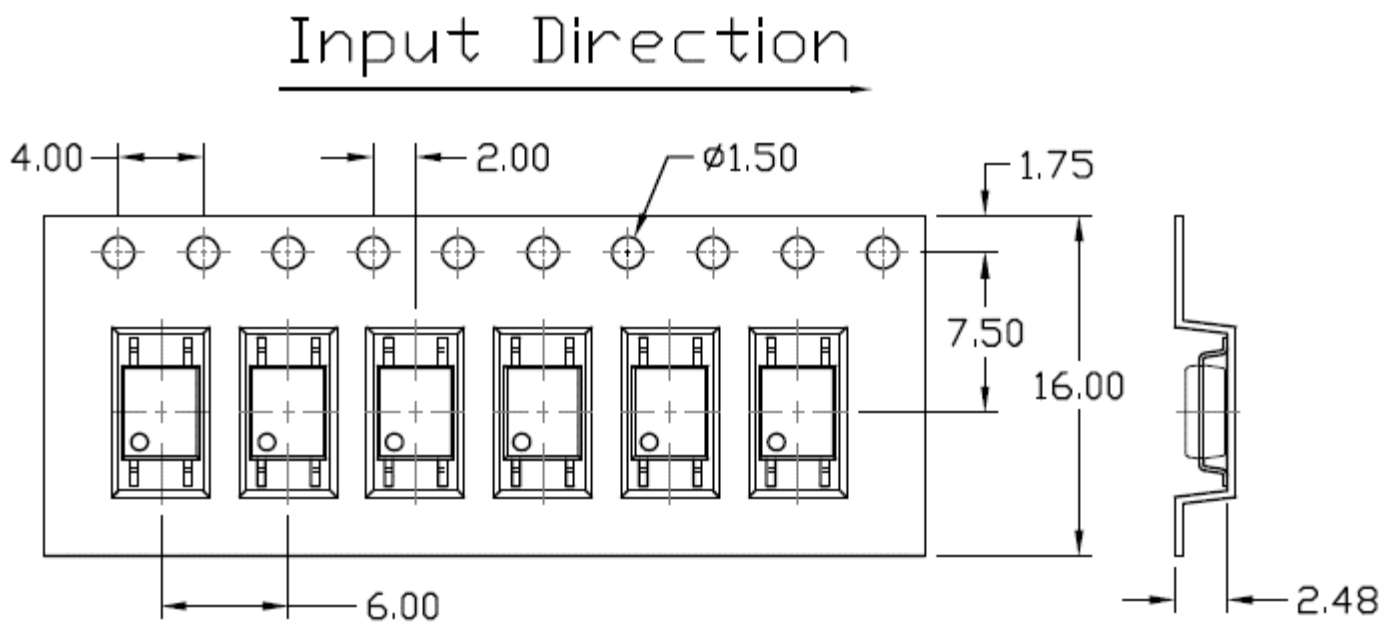
# Input 4-Pin Mini-Flat Phototransistor Optocoupler

## Carrier Tape Specifications *Dimensions in mm unless otherwise stated*

### Option T1



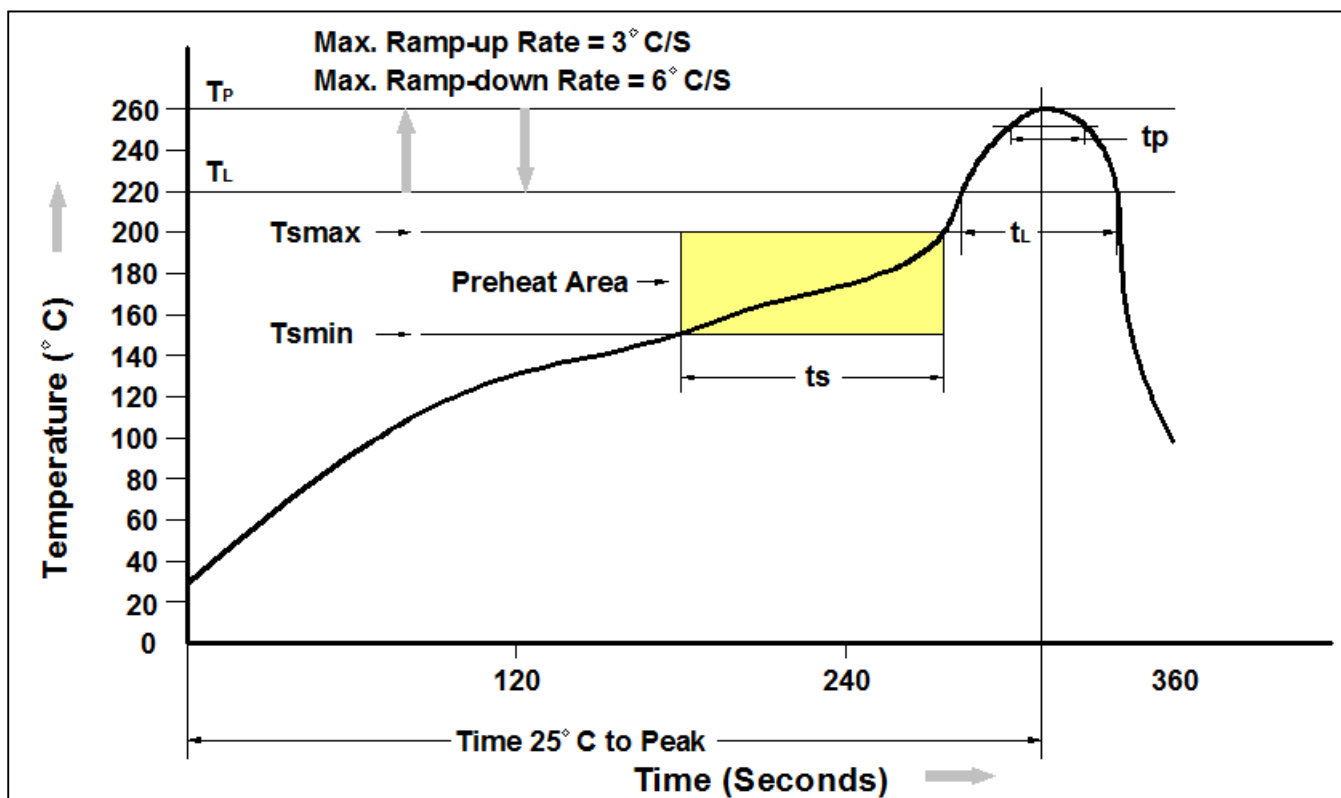
### Option T2





# Input 4-Pin Mini-Flat Phototransistor Optocoupler

## Reflow Profile



Profile Feature	Pb-Free Assembly Profile
Temperature Min. (T Amin)	150°C
Temperature Max. (Tsmax)	200°C
Time (ts) from (T Amin to Tsmax)	60-120 seconds
Ramp-up Rate (tL to tp)	3°C/second max.
Liquidous Temperature (TL)	217°C
Time (tL) Maintained Above (TL)	60 – 150 seconds
Peak Body Package Temperature	260°C +0°C / -5°C
Time (tp) within 5°C of 260°C	30 seconds
Ramp-down Rate (TP to TL)	6°C/second max
Time 25°C to Peak Temperature	8 minutes max.



## Input 4-Pin Mini-Flat Phototransistor Optocoupler

---

### DISCLAIMER

CT MICRO RESERVES THE RIGHT TO MAKE CHANGES WITHOUT FURTHER NOTICE TO ANY PRODUCTS HEREIN TO IMPROVE RELIABILITY, FUNCTION OR DESIGN. CT MICRO DOES NOT ASSUME ANY LIABILITY ARISING OUT OF THE APPLICATION OR USE OF ANY PRODUCT OR CIRCUIT DESCRIBED HEREIN; NEITHER DOES IT CONVEY ANY LICENSE UNDER ITS PATENT RIGHTS, NOR THE RIGHTS OF OTHERS.

---

DISCOLORATION MIGHT OCCUR ON THE PACKAGE SURFACE AFTER SOLDERING, REFLOW OR LONG TERM USE. THIS DOES NOT IMPACT THE PRODUCT PERFORMANCE NOR THE PRODUCT RELIABILITY.

---

CT MICRO ARE NOT AUTHORIZED FOR USE AS CRITICAL COMPONENTS IN LIFE SUPPORT DEVICES OR SYSTEMS WITHOUT EXPRESS WRITTEN APPROVAL OF CT MICRO INTERNATIONAL CORPORATION.

- 1. Life support devices or systems are devices or systems which, (a) are intended for surgical implant into the body, or (b) support or sustain life, or (c) whose failure to perform when properly used in accordance with instruction for use provided in the labelling, can be reasonably expected to result in significant injury to the user.*
- 2. A critical component is any component of a life support device or system whose failure to perform can be reasonably expected to cause the failure of the life support device or system, or to affect its safety or effectiveness.*

## X-ON Electronics

Largest Supplier of Electrical and Electronic Components

*Click to view similar products for [High Speed Optocouplers](#) category:*

*Click to view products by [CT Micro International](#) manufacturer:*

Other Similar products are found below :

[6N136F](#) [HCPL-2201-300](#) [JAN4N24](#) [610737H](#) [HCPL2630M](#) [HCPL2630SM](#) [PS9817A-1-F3-AX](#) [PS9821-2-F3-AX](#) [TLP2766A\(E](#)  
[TLP2766A\(LF4,E](#) [PS9121-F3-AX](#) [TLP5774H\(TP4,E](#) [TLP5771H\(TP,E](#) [TLP2304\(E\(O](#) [054279X](#) [HCPL2631SD](#) [HCPL-2730-500E](#)  
[TLP118\(TPL,E\)](#) [TLP2309\(E\(T](#) [TLP2366\(TPL,E](#) [TLP521-2XGB](#) [TLP621-2XGB](#) [JANTXV4N24U](#) [8102802PC](#) [5962-8767902XA](#) [5962-](#)  
[8876801XA](#) [5962-8957101PA](#) [SFH6318T](#) [6N135-300E](#) [TIL198](#) [TLP104\(TPR,E\)](#) [TLP2309\(TPL,E\)](#) [TLP2355\(TPL,E](#) [TLP2358\(E\)](#) [TLP521-](#)  
[4GR](#) [TLP521-4XGB](#) [TLP621XSM](#) [5962-8876801PA](#) [IS281-4GB](#) [IS2805-4](#) [IS181GR](#) [ICPL2630](#) [ICPL2531](#) [ICPL2601](#) [ICPL2530](#) [5962-](#)  
[8876801PC](#) [TLP2301](#) [TLP2301\(E\(T](#) [TLP2362\(TPR,E](#) [TLP754\(F\)](#)