



DESCRIPTION & FEATURES

The PW2 converts AC line voltage to regulated DC output.

This compact power supply may be used to power various DC operated peripherals and inputs/output modules on PLCs or transmitters in process control.

- ▶ Regulated power outputs of 5 VDC, 12 VDC and 24 VDC
- ▶ 120V/60Hz Input
- ▶ Screw terminal connections
- ▶ Easily mounted in any plane
- ▶ Output DC voltages are isolated from AC line

SPECIFICATIONS

VOLTAGE

Input : 120 VAC \pm 5% / 60 Hz
 (external fuse recommended)
 Output: 5 V \pm 0.2 VDC @ 300 mA
 12 V \pm 0.5 VDC @ 200 mA
 24 V \pm 1 VDC @ 100 mA

ENVIRONMENT

Operating Temperature: 0 to 55°C (32 to 130°F)
 Max. Humidity: 95% RH, noncondensing

PHYSICAL

Weight: 0.38 lb.

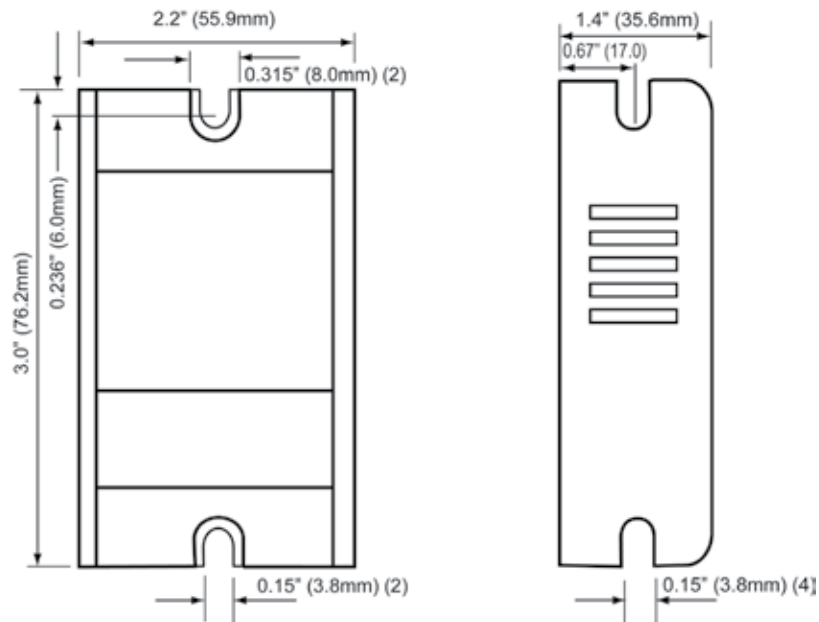
MOUNTING

side or base

ORDERING INFO

PART NUMBER	INPUT	OUTPUT
PW2-5	120 AC	5 VDC @ 300mA
PW2-12	120 AC	12 VDC @ 200mA
PW2-24	120 AC	24 VDC @ 100mA

DIMENSIONS



X-ON Electronics

Largest Supplier of Electrical and Electronic Components

Click to view similar products for [c-ton](#) manufacturer:

Other Similar products are found below :

[PW1.0](#) [PW2-24](#) [PW2-5](#) [LED-B](#) [PW1.5](#) [PW2-12](#) [CC1-N](#) [CC1-G](#)