

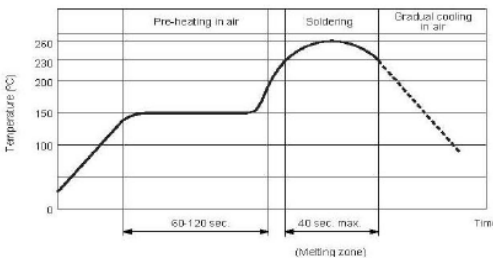
C0510N SERIES GENERAL SPECIFICATION

C0510N 系 列 规 格 书

1. GENERAL 一般事项

<p>1.1 Scope The specification applies to model C0510N type, mainly used for consumer products</p> <p>1.2 Operating temperature range: -10°C~70°C</p> <p>1.3 Storage temperature range: -30°C~70°C</p> <p>1.4 Test conditions:</p> <p>1.4.1 Standard atmospheric conditions;</p> <p>1.4.2 Unless otherwise specified, the standard range of atmospheric conditions for making measurements and test is as follows: ambient temperature 5~35°C, relative humidity 45~85%; air pressure 86kpa to 106kpa;</p> <p>1.4.3 If there is any doubt about the results, measurements shall be made within the following limit: ambient temperature 20±2°C, relative humidity 60~70%, air pressure 86kpa to 106kpa;</p>	<p>适用范围 此规格书适用于C0510N机型;</p> <p>使用温度范围: -10°C~50°C; 保存温度范围: -30°C~50°C;</p> <p>试验状态: 标准状态; 无特别规定之实验及测定以温度 5~35°C, 相对湿度45~85%, 气压 86~106kpa之标准状态测定。</p> <p>发生判定疑问或另有特别要求则以基准状态 (温度20±2°C,相对湿度60~70%,气压 86~106kpa) 为标准测定。</p>
---	---

ENDURANCE CHARACTERISTICS 耐久性能

Item 项 目	Conditions 条 件	Specifications 规 格
<p>1、Resistance to soldering heat 焊锡耐热性</p>	<p>Peak: 260°C±5°C, 5sec max. 峰點溫度: 260°C±5°C, 5 秒以內 Temperature profile of reflow soldering 回流焊溫度曲線圖 ■ Reflow Soldering Standard Profile</p>  <p>The specimen shall be passed through the reflow furnace with the condition shown in the above profile for one time. 樣品按以上溫度曲線通過回流焊爐1 回。 The specimen shall be stored at standard atmospheric conditions for 1 hour after which the measurement shall be made. 焊錫後樣品在常溫常濕中放置1 小時後再進行測定。</p>	<p>Change in total resistance is relative to the value before test: ±5%, without case deformation of case or terminals loosening. Electrical characteristics shall be satisfied with specification. 总阻变化值: ±5% 外观无变形, 端子无松动, 电气性能符合规定要求。</p>
<p>2、Resistance to heat 耐热性</p>	<p>After 240±8 hours of storage in the constant temperature tank at 70±2°C, it should be kept at room temperature for 1 hour. After the water drop is removed, it should be measured within 1.5hour. 在溫度70±2°C 恒溫槽中放置240±8 小時後, 置於常溫常濕1.5 小時。除去水滴後, 在1 小時內測定。</p>	<p>Change in total resistance is relative to the value before test: ±20%; 总阻变化值: 初期值的±20%;</p>
<p>3、Resistance to cold 耐寒性</p>	<p>After 96±4 hours of storage in the constant temperature tank at -25±3°C, it should be kept at room temperature for 1.5hour. After the water drop is removed, it should be measured within 1.5 hour. 在溫度-25±3°C 恒溫槽中放置96±4 小時後, 置於常溫常濕1.5 小時。除去水滴後, 在1.5 小時內測定。</p>	<p>Change in total resistance is relative to the value before test: ±20%; 总阻变化值: 初期值的±20%;</p>
<p>4、Damp heat 耐湿性</p>	<p>The temperature is 40±2°C, and humidity is 90-95%. After placed in the constant temperature and humidity tank for 94±4 hours, it should be kept at room temperature for 1 hour. After the water drop is removed, it should be measured within 1 hour. 溫度40±2°C, 濕度90-95°C。在恒溫槽中放置94±4 小時後, 置於常溫常濕環境中1 小時。除去水滴後, 在1 小時內測定。</p>	<p>Change in total resistance is relative to the value before test: ±20% 总阻变化值: 初期值的±20% Insulation resistance: 10MΩ or more (250VDC) 绝缘阻抗: ≥10MΩ (250VDC)</p>

电位器规格书

SPECIFICATIONS

适用型号: C0510N 系列
 APPLICABLE MODELS: C0510N Series

一 构造 CONSTRUCTION

形状,寸法,依照图面规定

外观: 各部件应良好无锈蚀、裂痕、电镀不良现象
 APPEARANCE: EVERY PART SHOULD BE FINISHED NOT TO EXIST RUST/FLAW CRACK AND PLATING

二 机械的性能 (Mechanical characteristics)

滑动行程 Total Sliding Travel	5.0mm±0.5mm
滑动力 Operating force	10 to40 gf
滑动止动强度 Lever stopper strength	2.5Kgf Min
推柄推拉承受强度 Push-Pull Strength	1Kgf max.at <input type="checkbox"/> 5Sec <input checked="" type="checkbox"/> 10Sec
滑动段位数 Number of Detents(Click)	<input type="checkbox"/> 1C <input type="checkbox"/> 7C <input type="checkbox"/> 11C <input type="checkbox"/> 21 <input type="checkbox"/> 41
段位推动力 Click slip-Out force	<u> </u> / ~ <u> </u> gf
滑动寿命 Rotational life	5,000 Cycles

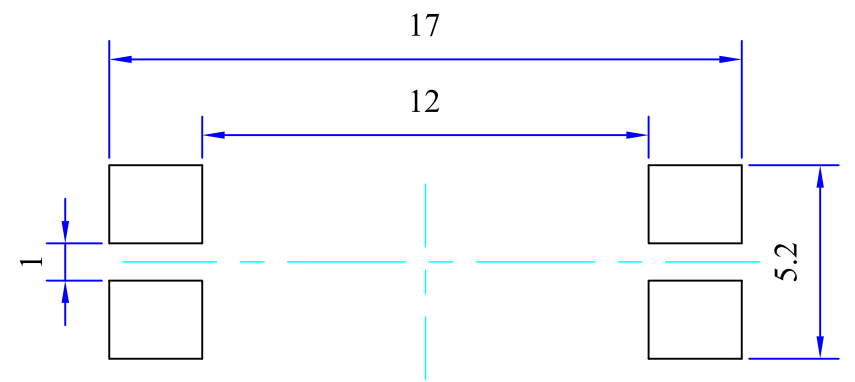
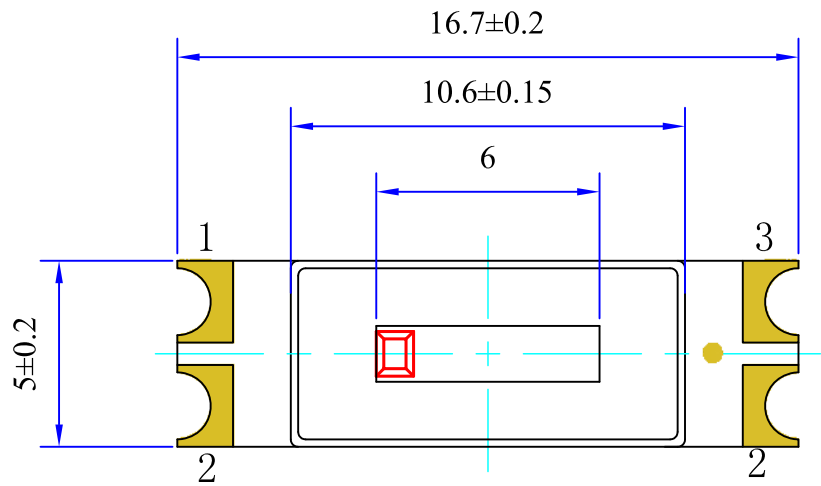
三 电气的性能 (Electrical characteristics)

全阻抗值 Total resistance	<u>100K</u> Ω±20%
残留抵抗 End resistance	Term 1~2:Less than 1 kΩ Term 2~3:Less than 1 kΩ
抵抗变化特性 Resistance taper	<input type="checkbox"/> A <input checked="" type="checkbox"/> B <input type="checkbox"/> C <input type="checkbox"/> D <input type="checkbox"/> W <input type="checkbox"/> __
负载功率: Ratings power	Taper B: 0.01W Other taper: 0.025W
最高使用电压 Maximum operating voltage	Taper B:AC50V Other taper:AC25V
滑动杂音 Slider noise	Less then 100mV
绝缘抵抗 Insulation resistance	More then 50MΩ at DC 100V
耐电压 Voltage proof	1 minute at 100V AC

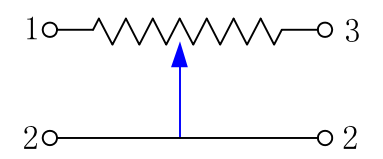
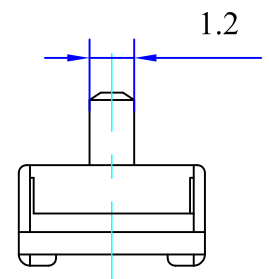
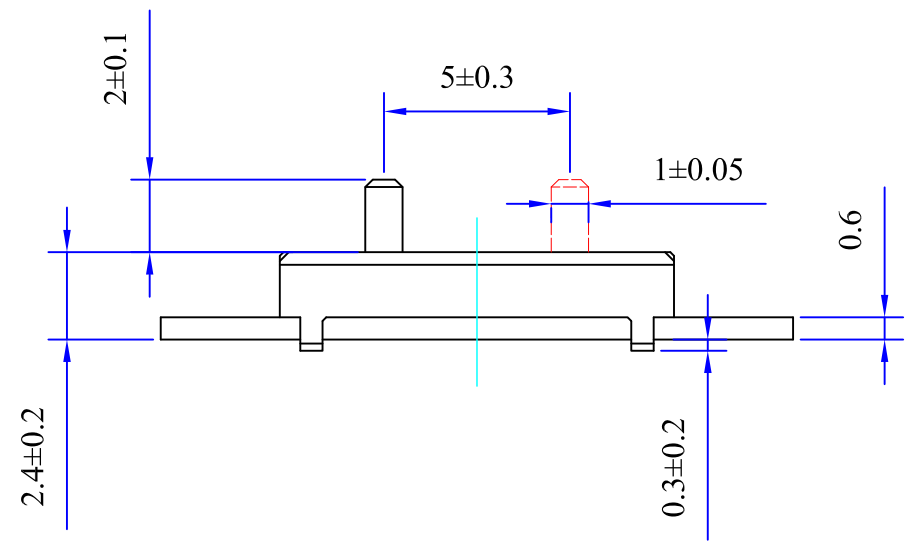
四 包装 (PACKING)

包装方式 Packing Portion	使用编带包装, 每盘1000PCS, 每箱7 盘, 共计7000PCS Packed with braided tape, 1000PCS per tray, 4 trays per carton.A total of 7000 PCS
--------------------------------	---

东莞市长泰尔电子有限公司 DONG GUAN CHANG TAI ER ELECTRONICS CO.,LTD	制作 Designed BY	审核 Checked By	核准 Approved By

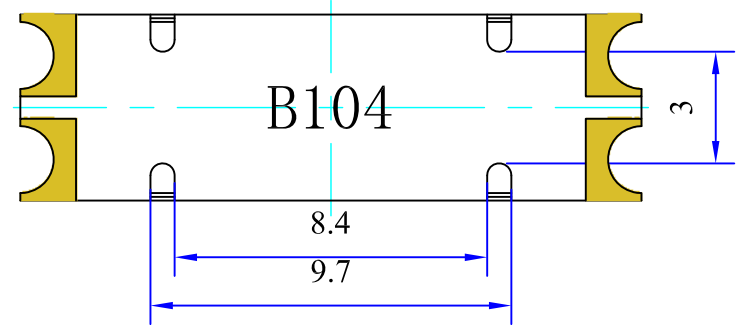
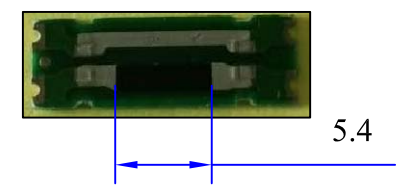


安装孔位图
Mounting Hole



接线图
Circuit Explanation

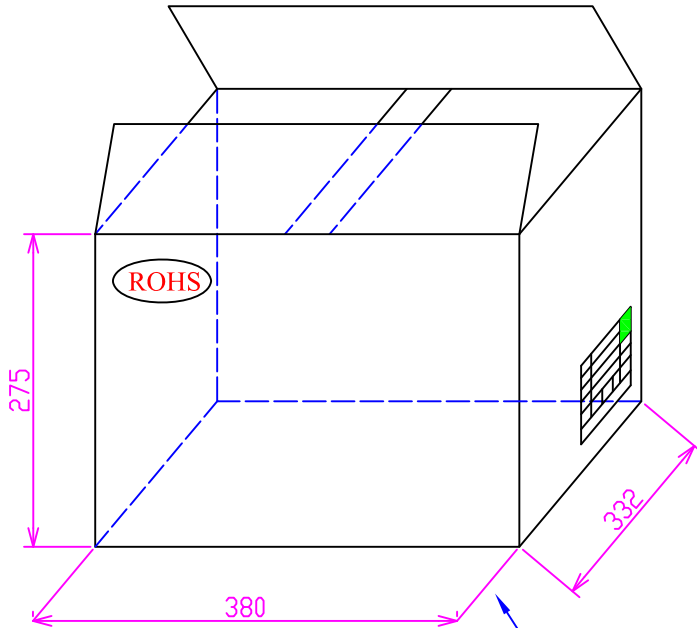
注：碳膜行程加长



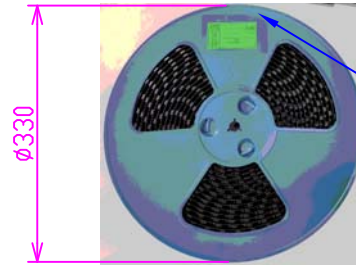
未注尺寸公差 Gen.tolerance
0<L≤10: ±0.3
10<L≤50: ±0.5
50<L≤100: ±1.0

东莞市长泰尔电子有限公司 DONG GUAN CHANG TAI ER ELECTRONICS CO.,LTD.								
比例 Scale	1:1	版本 Edition	1.0	单位 Unit	mm	设计 Designed By	审核 Checked By	批准 Approved By
品名 Type Name	直滑式电位器							
图号 Dwg.NO.	C0510N-H2.0-B104-00S							

产品密封包装在载带内
PARTS TO BE PACKED IN INDIVIDUAL CELLS OF PRESSURE SEAL TAPE.



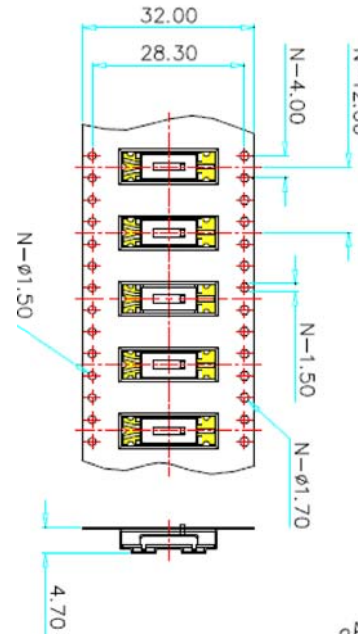
外箱:
Outer carton box:
1箱放7卷载带
A box put 7 rolls of tape



φ330

装箱标签
(Packing label)

SUPPLIER 供应商		RoHS
PART No. 料号		
TYPE 型号		
QTY 数量	DATE 日期	
LOT No. 批号		



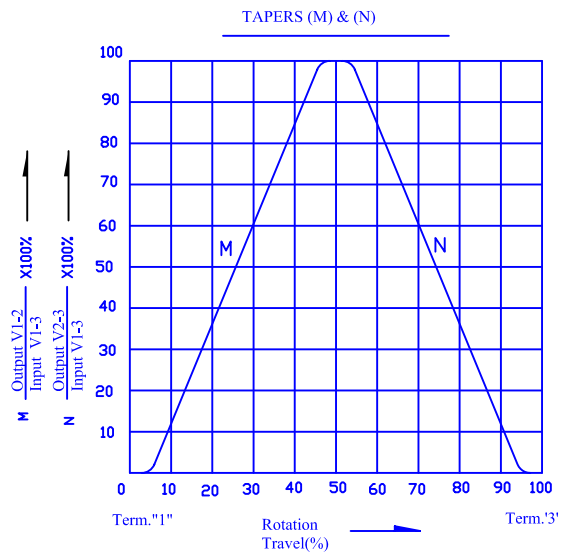
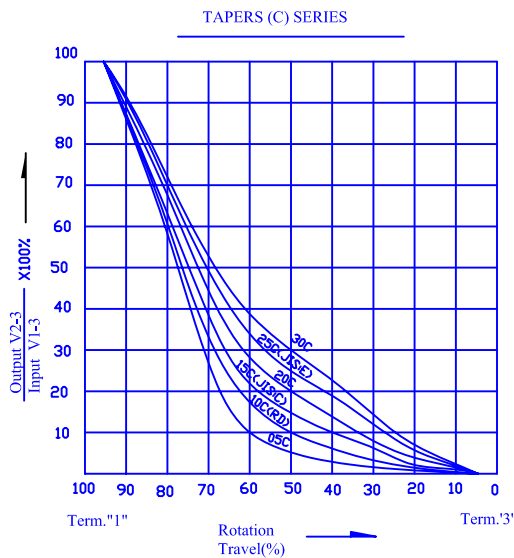
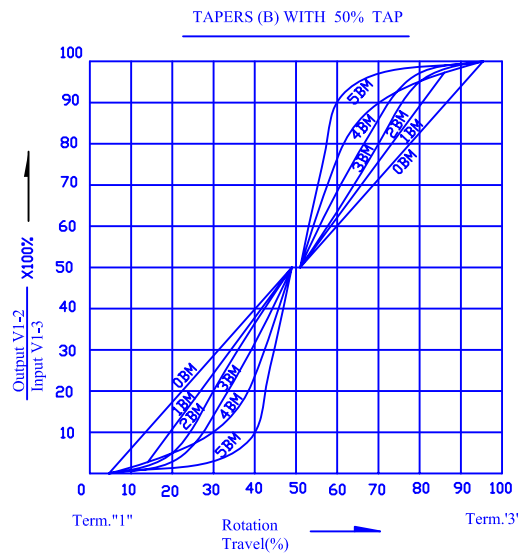
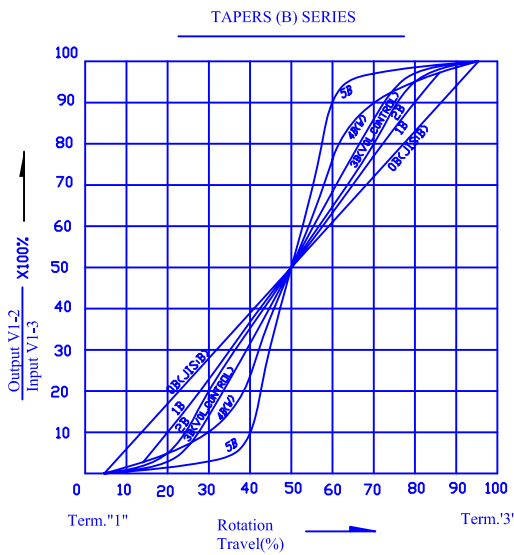
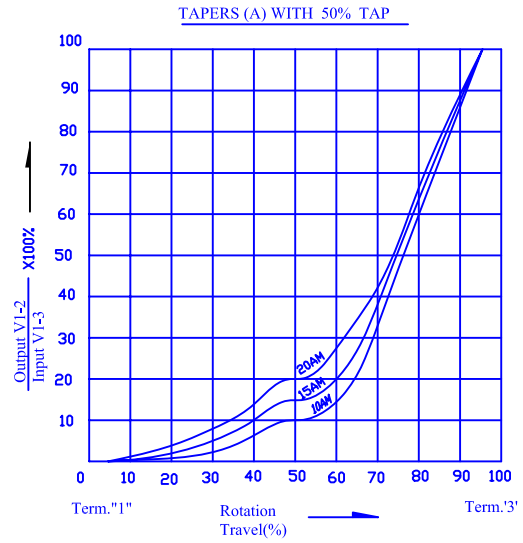
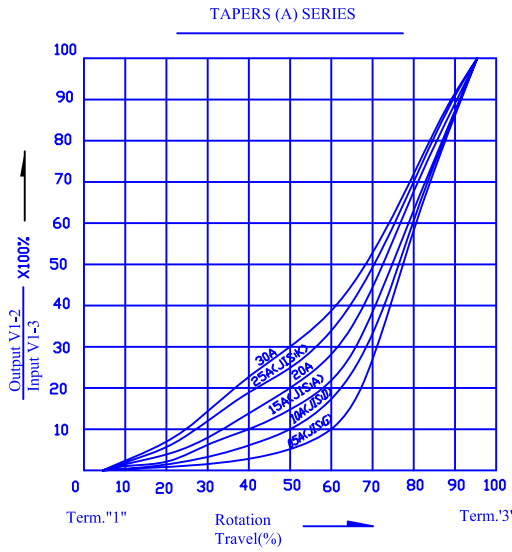
- 转盘直径:330mm
REEL DIAMETER : 330 MM
- 载带宽度: 32,mm
TAPE WIDTH : 32 MM
- 载带P距: 12mm
POCKET PITCH : 12 MM
- 一卷载带包装产品1000pcs
1000PCS products in one roll of tape

装箱标签
(packing label)

装箱单 Packing list			
Customer 客户名称			RoHS 符合
Customer NO. 客户料号			
Type 型号规格		PO No. 订单号码	
Q.T.Y 数量		Date 日期	
Box No. 箱号	Total Box QTY 总箱数	QC 检验	
DONG GUAN CHANG TAI ER ELECTRONICS CO.,LTD 东莞市长泰尔电子有限公司			

东莞市长泰尔电子有限公司 DONG GUAN CHANG TAI ER ELECTRONICS CO., LTD						
单位 Unit	毫米 mm	版本 Edition	1.0	设计 Designed By	审核 Checked By	批准 Approved By
品名 Type Name	C0510N 包装 C0510N-Packing					
图号 Dwg.NO.	C0510N Parking					

Standard Resistance Tapers



SAMPLE CURVE FORM:

样板曲线形式:

X-ON Electronics

Largest Supplier of Electrical and Electronic Components

Click to view similar products for [Potentiometers](#) category:

Click to view products by [CTR](#) manufacturer:

Other Similar products are found below :

[580SX4Q25F102SP](#) [580SX4Q25F103ZP](#) [58C2-2](#) [590SX1N32F103SS](#) [591SXJ48S252SC](#) [591SXP56S252SC](#) [591SXP56S503SC](#) [D31409](#)
[70B1G048K502X-A](#) [70B1M032S502W](#) [70B1N056S202W](#) [70B8N056F502W](#) [70J8N048S104U](#) [70L1N040P103W](#) [70L1N048P103X](#)
[70L1N048S103W](#) [GA2G056S101UA](#) [GA2G056S251UA](#) [GA2G056S501UA](#) [GA2L040S102UC](#) [GA2L040S103UC](#) [GA2L040S501UC](#)
[GS1G044P103UA](#) [GS1T032S103UA](#) [A43-1500](#) [A43-20K](#) [A47-200K](#) [A4720K](#) [RK14K1220-F25-C0-A103](#) [RK14K1220F25C0C104](#)
[RK14K1220-F25-C1-B103](#) [14910FBGLFY00103KA](#) [C0342008 5K](#) [J97589](#) [RV170F-10-15R1-B500K-0021](#) [917523A](#) [A43-40](#) [A43-750](#)
[A43S-5](#) [A47-15K](#) [A47-1K](#) [A4750K](#) [SPPG056P103U](#) [SWE-10](#) [GA2G040F103BA](#) [GA2G056S503UA](#) [GA2G056S504UA](#) [GA2L040S502UC](#)
[GA2L040S503UC](#) [POT-3217-02 \(MW22S-3217-500\)](#)