

规格书

SPECIFICATIONS

适用型号 : R07310N0-LA3.0B2.5-B103-100

APPLICABLE MODELS : R07310N0-LA3.0B2.5-B103-100

1. 一般事项 General information

1-1 适用范围: 本规格书适用于家用电器

Applying range: This specification is applied to home appliances.

1-2 使用温度范围 Operating temperature range -30°C~+70°C

1-3 储存温度范围 Storage temperature range -40°C~+85°C

1-4 试验的状态 温度 5~35°C、45~85%RH

Test condition As our standard condition: temperature 5~35°C、Moisture: 25~85%RH

2. 外观尺寸

Appearance and dimensions

2-1 外观 外观无锈蚀,电镀不良,破裂和明显变形、无油脂污染;

Appearance No harmful rust, cracks, scratches and poor under functioning

2-2 尺寸 见附图

Dimensions Refer to attached drawing

3. 机械特性 Mechanical characteristics

项目 Items	规格 Specifications	条件 Condition
3-1 转轴材料 Shaft material	PA9T	
3-2 定位点力矩 Detent torque (gf.cm)	80~250 gf.cm (before reflow test and cycle test)	
3-3 定位点数 Number of detent	10 定位点 10 detents	
3-4 全旋转角度 Total rotational angle	360°	
3-5 端子强度 Terminal strength	端子焊接部位无松动、损坏、脱落。试验后,端子可能弯曲,但是应满足第 4 项规定的电气参数要求。 Shall be free from terminal looseness damage and breakage of terminal soldering position. terminals may be bent after test. But electrical performance requirements specified in item 4 shall be satisfied.	在端子前端的垂直方向施加 4.9N(0.5kgf)的静止荷重 10 秒钟。(每个端子 1 次) A static load of 4.9N(0.5kgf) shall be applied to the tip of terminal for 10S in a desired direction. The test shall be done once per terminal

4. 电气特性 Electrical characteristics

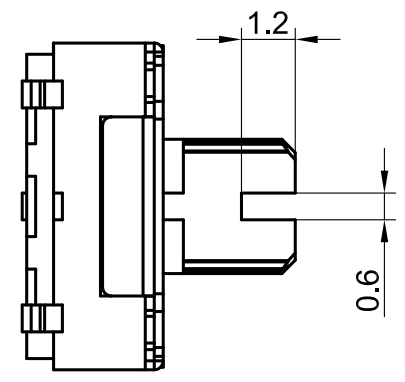
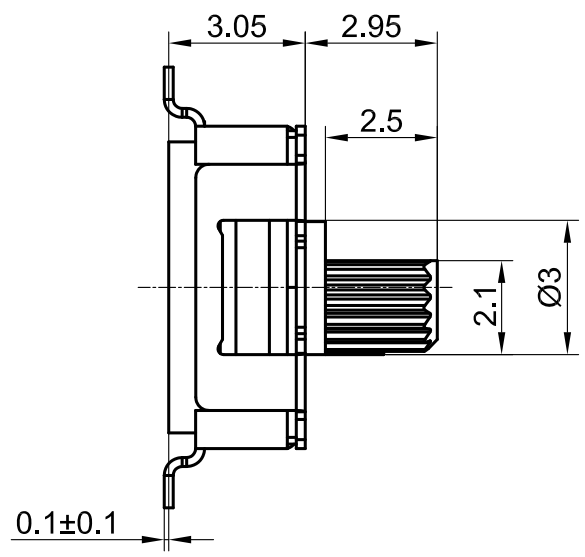
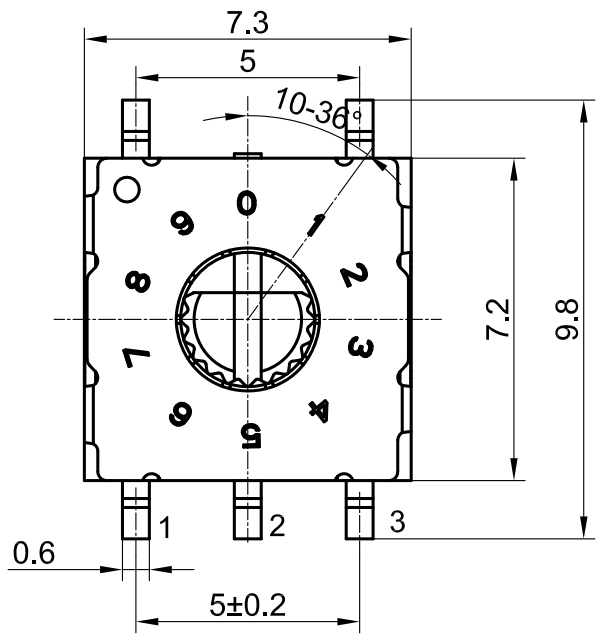
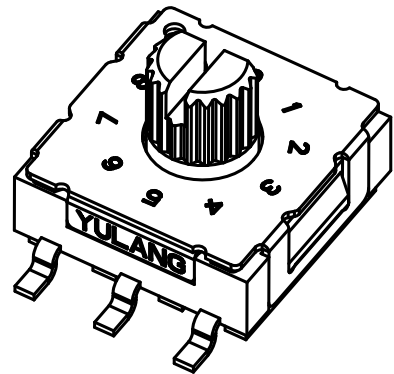
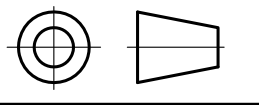
项目 Items	规格 Specifications	条件 Condition
4-1 抵抗值 Total resistance	10K Ω ±20%	
4-2 额定功率 Power rating	0.05W	
4-3 最高使用电压 Maximum operating voltage	DC 5V	
4-4 绝缘电阻 Insulation resistance	100M Ω 以上 100M Ω MIN	DC100V 1min±5S 施加位置: 所有端子与接地(外壳)间 Applied position: Between all terminals and ground(frame)

型号 Model	R07310N0-LA3.0B2.5-B103-100	版本 Edition	1.0	CT-QR2215	页码 Page	1/2
-------------	-----------------------------	---------------	-----	-----------	------------	-----

4-5 耐电压 Voltage proof	绝缘材料无击穿 No subversion on insulad resistance	AC250V 1minute 施加位置: 所有端子与接地(外壳)间 Applied position: Between all terminals and ground(frame)		
5.持久性 Durability				
项目 Items	规格 Specifications	条件 Condition		
5-1 旋转寿命 Rotational life	抵抗值: 10KΩ ± 20% Total resistance: 10KΩ ± 20% 定位点力矩: 50gf.cm 以上 Detent torque : 50gf.cm min.	无负荷, 25,000 步 25,000 steps (without load).		
5-2 耐寒性 Cold resistance	符合初始规格 3、4 的要求。 Specification in clause 3、4 shall be satisfied.	-40℃ 96 小时(无负荷放置) -40℃ 96 hours left without loading.		
5-3 耐热性 Heat resistance		85℃ 96 小时(无负荷放置) 85℃ 96 hours left without loading.		
5-4 耐湿性 Moisture resistance		40℃湿度 90-95%RH 96 小时(无负荷放置) 40℃ 90-95%RH 96 hours left without loading.		
6. 焊接条件 Soldering condering				
项目 Items	规格 Specifications	条件 Condition		
6-1 耐焊接热 Soldering Heat Resistance	A:手工焊: 350±5℃/ 3S Max. Hand Soldering: 350±5℃/ 3S Max B:回流焊 Reflow resistance: 满足回流焊 J-STD-080D 标准 meet reflow J-STD-080D standard			
6-2 可焊性 Solderability	不应有外观及操作异常发生, 电气性能符合规格第 4 项要求。 NO abnormalities shall be observed in appearance and operation. The electrical performance requirements specified in item 4 shall be satisfied. 被浸入表面均匀的焊锡涂层, 应达到 75% 以上。 A new uniform coating of solder shall cover a minimum of 75% of the surface being immersed.	焊锡温度: 235±5℃ 焊锡时间: 3.5±0.5 秒 Solder temperature: 235±5℃ Solder dipping time: 3.5±0.5S		
东莞市长泰尔电子有限公司 DONG GUAN CHANG TAI ER ELECTRONICS CO.,LTD		设计 Designed By	审核 Checked By	核准 Approved By

型号 Model	R07310N0-LA3.0B2.5-B103-100	版本 Edition	1.0	CT-QR2215	页码 Page	2/2
--------------------	-----------------------------	----------------------	------------	------------------	-------------------	-----

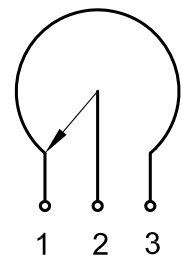
16 15 14 13 12 11 10 9 8 7 6 5 4 3 2 1



10 定位点, 全旋转角度360°
(每个档位 36°)

档位	1.2端阻值输出
0	1KΩ±20%
1	2KΩ±20%
2	3KΩ±20%
3	4KΩ±20%
4	5KΩ±20%
5	6KΩ±20%
6	7KΩ±20%
7	8KΩ±20%
8	9KΩ±20%
9	10KΩ±20%

CIRCUIT



Dongguan Changtaier Electronics Co., Ltd

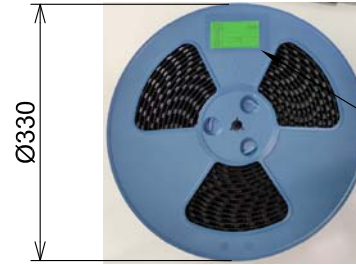
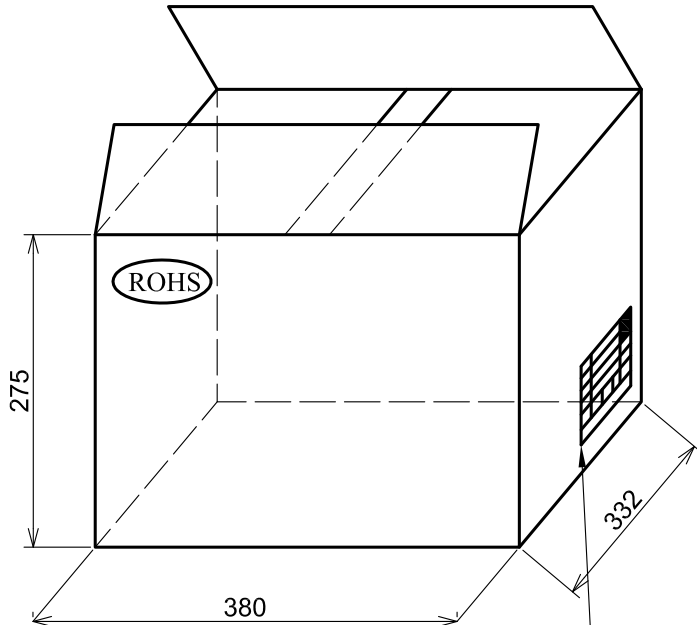
Tolerances unless otherwise specified on this document	
$L \leq 1.0$,	± 0.1
$1.0 < L \leq 10$,	± 0.3
$10 < L \leq 30$,	± 0.5

Scale	5:1	Edition	A1.0	Designed By	Checked By	Approved By
Part NO.	R073电位器					
Dwg. NO.	R07310N0-LA3.0B2.5-B103-100					

16 15 14 13 12 11 10 9 8 7 6 5 4 3 2 1

产品密封包装在载带内
PARTS TO BE PACKED IN INDIVIDUAL CELLS OF PRESSURE SEAL TAPE.

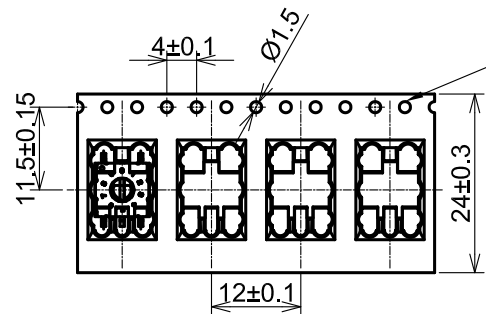
外箱:
Outer carton box:
1箱放9卷载带
A box put 9 rolls of tape



装箱标签
(Packing label)

SUPPLIER 供应商			RoHS
PART No. 料号			
TYPE 型号			
QTY 数量	DATE 日期		
LOT No. 批号			

User Direction of Feed



Sprocket Holes

- 转盘直径: 330mm
REEL DIAMETER : 330 MM
- 载带宽度: 24, mm
TAPE WIDTH : 24 MM
- 载带P距: 12mm
POCKET PITCH : 12 MM
- 载带前段空288mm (24格)
CELLS AT LEADING END OF TAPE SHOULD BE EMPTY OVER A LENGTH OF 288 MM (24 CHECKS).
- 一卷载带包装产品800pcs
800PCS products in one roll of tape

装箱标签
(packing label)

装箱单 Packing list			
Customer 客户名称			RoHS 符合
Customer NO. 客户料号			
Type 型号规格			PO No. 订单号码
Q.T.Y 数量			Date 日期
Box No. 箱号	Total Box QTY 总箱数	QC 检验	
DONG GUAN CHANG TAI ER ELECTRONICS CO.,LTD 东莞市长泰尔电子有限公司			

东莞市长泰尔电子有限公司 DONG GUAN CHANG TAI ER ELECTRONICS CO., LTD						
单位 Unit	毫米 mm	版本 Edition	1.0	设计 Designed By	审核 Checked By	批准 Approved By
品名 Type Name	R07310N0 包装 R07310N0-Packing					
图号 Dwg.NO.	R07310N0 Parking					

X-ON Electronics

Largest Supplier of Electrical and Electronic Components

Click to view similar products for [Potentiometers](#) category:

Click to view products by [CTR](#) manufacturer:

Other Similar products are found below :

[580SX4Q25F102SP](#) [580SX4Q25F103ZP](#) [58C2-2](#) [590SX1N32F103SS](#) [591SXJ48S252SC](#) [591SXP56S252SC](#) [591SXP56S503SC](#) [D31409](#)
[70B1G048K502X-A](#) [70B1M032S502W](#) [70B1N056S202W](#) [70B8N056F502W](#) [70J8N048S104U](#) [70L1N040P103W](#) [70L1N048P103X](#)
[70L1N048S103W](#) [GA2G056S101UA](#) [GA2G056S251UA](#) [GA2G056S501UA](#) [GA2L040S102UC](#) [GA2L040S103UC](#) [GA2L040S501UC](#)
[GS1G044P103UA](#) [GS1T032S103UA](#) [A43-1500](#) [A43-20K](#) [A47-200K](#) [A4720K](#) [RK14K1220-F25-C0-A103](#) [RK14K1220F25C0C104](#)
[RK14K1220-F25-C1-B103](#) [14910FBGLFY00103KA](#) [C0342008 5K](#) [J97589](#) [RV170F-10-15R1-B500K-0021](#) [917523A](#) [A43-40](#) [A43-750](#)
[A43S-5](#) [A47-15K](#) [A47-1K](#) [A4750K](#) [SPPG056P103U](#) [SWE-10](#) [GA2G040F103BA](#) [GA2G056S503UA](#) [GA2G056S504UA](#) [GA2L040S502UC](#)
[GA2L040S503UC](#) [POT-3217-02 \(MW22S-3217-500\)](#)