

# 电位器规格书

## SPECIFICATIONS

适用型号 : R085A0NSFK15S7A103-1005  
APPLICABLE MODELS : R085A0NSFK15S7A103-1005

### 一 构造 CONSTRUCTION

形状,寸法,依照图面规定

外观 : 各部应良好无锈蚀、裂痕、电镀不良现象  
APPEARANCE: EVRY PART SHOULD BE FINISHED NOT TO EXIST RUST  
FLAW CRACK AND PLATING

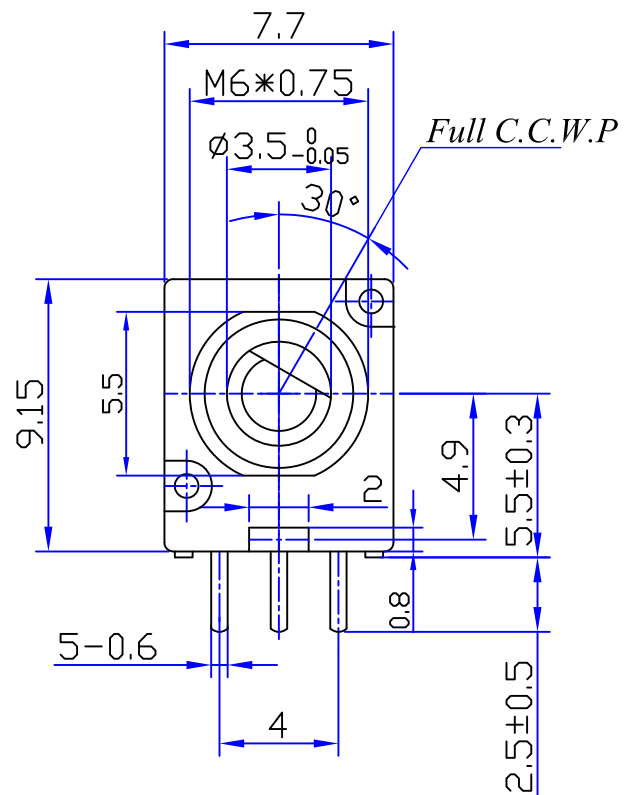
### 二 机械的性能 (Mechanical characteristics)

| ITEMS                                  | SPECIFICATION  |
|--|--|
| 全回转角度:<br>Total rotational angle       | 300° ±5°   |
| 回转力矩:<br>Rotational torque             | 20~250 gf.cm (before wave soldering test and cycle test)<br>10~150 gf.cm (after wave soldering test and 15000 cycle test)  |
| 回转止动强度:<br>Rotational stopper strength | 5 Kgf.cm / 10s   |
| 强度:<br>strength                        | 轴押引强度: 10Kgf min<br>Shaft Push-pull strength: 10Kgf.cm min   |
| 轴摇晃度:<br>Shaft wobble                  | 在轴芯顶部施力 2.5N (250gf), 单轴在 0.5×(轴长/30mm) 以下<br>轴向窜动小于 0.5mm<br>0.5×(shaft/30mm) max..<br>Thrush:0.5mm max.<br>Tip of the shaft applied 2.5N (250gf)                                     |
| 轴冲击强度<br>Shaft shock strength          | 试件装配在夹具上, 用 500g 砝码固定在轴芯上方分别从 10cm/20cm/30cm 高度做自由落体冲击<br>Assemble the product into the fixture , fix 500g on the top of shaft , then do free falling shock from 10cm/20cm/30cm height |

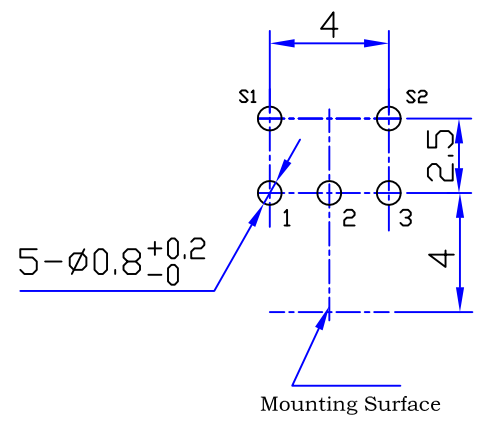
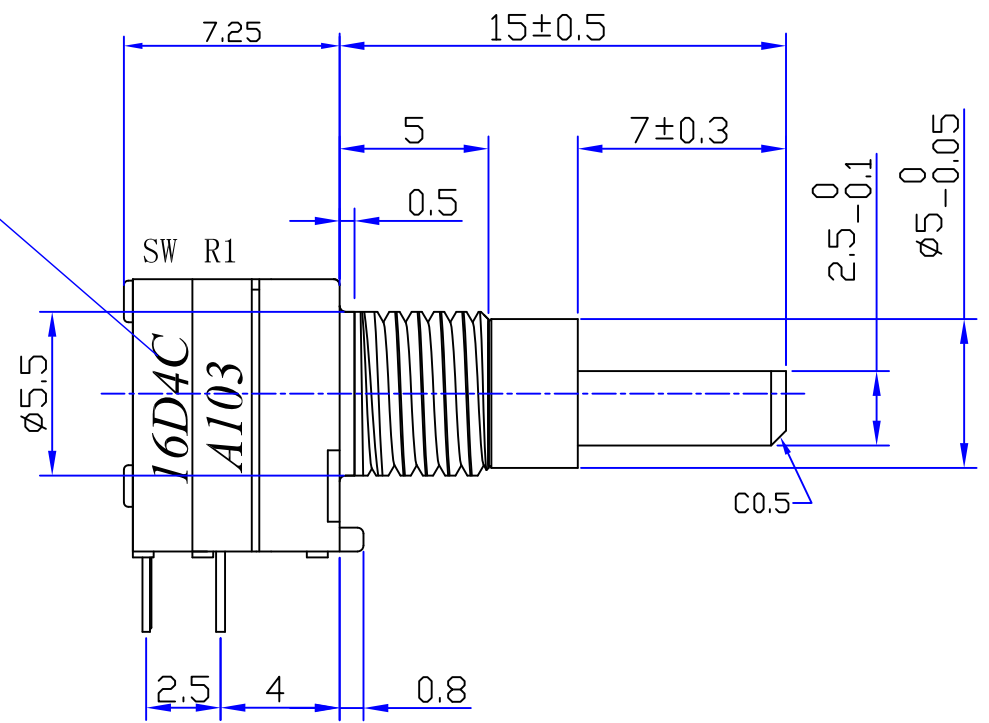
### 三 电气的性能 (Electrical characteristics)

| ITEMS  | SPECIFICATION  |
|--|--|
| 抵抗值<br>Total resistance                            | 10K Ω ±20%   |
| 残留抵抗<br>End resistance                             | 20 Ω 以下<br>20 Ω max  |
| 抵抗变化特性<br>Resistance taper                         | A 曲线 (170° 时, 输出在 10~25%)<br>A curve (10~25% at 170° )   |
| 定格电力:<br>Ratings power                             | 0.05W  |
| 最高使用电压<br>Maximum operating voltage                | DC 10V , AC 50V  |
| 滑动杂音<br>Slider noise                               | 100mV 以下<br>100mV max  |
| 绝缘抵抗<br>Insulation resistance                      | DC 250V, 100M Ω 以上<br>100M Ω min. at DC 250V   |
| 耐电压<br>Voltage proof                               | AC 380V 2S 以上<br>2 sencond at 380V AC  |
| 焊锡耐久特性<br>Durability characteristics Solderability | 浸没面积至少达到 95%, 焊锡温度 235±5℃, 3±0.5 秒<br>With being covered 95% min. of immersed area.<br>Solder temperature:235±5℃<br>Solder dipping time: 3±0.5 sec |

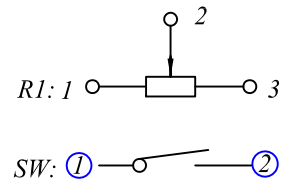
|  |   |                   |                  |                  |
|--|---|-------------------|------------------|------------------|
| 耐焊性<br>Soldering heat-resistance                               | 1.手工焊接温度最高 350°C±5°C, 3 秒<br>Soldering iron Max ,350°C±5°C at 3 sec<br>2.自动焊接温度最高 260°C, 10 秒<br>Auto soldering Max. 260°C at 10 sec<br>3.适用波峰焊<br>Meet Wave shldering  |                   |                  |                  |
| 回转寿命<br>Rotational life  | 无负荷时, 每小时 600 周, 15,000±200 周后阻值变化不超过±15%。<br>Permissible resistance change after 15,000±200 cycles on 600 r.p.h. without load ±15% max.  |                   |                  |                  |
| <b>四、开关的性能(switch characteristics)</b>                         |   |                   |                  |                  |
| 开关型式<br>Switch type  | 旋转式<br>Rotary type  |                   |                  |                  |
| 开关种类、接点数<br>Swich configuration                                | 单极单投<br>S.P.S.T   |                   |                  |                  |
| 开关定格电力<br>Switch ratings power                                 | 10V DC 1A   |                   |                  |                  |
| 开关接触电阻<br>Switch contact resistance                            | 100 mΩ max<br>200 mΩ max .after 15,000 cycles.  |                   |                  |                  |
| 开关工作角度<br>Switch working angle                                 | 45° ±10°  |                   |                  |                  |
| 开关工作力矩(开/关)<br>Switch working torque(ON/OFF)                   | 800gf.cm Max  |                   |                  |                  |
| 开关寿命<br>Switch life  | 10,000 cycles   |                   |                  |                  |
| 原产地<br>Country of origin                                       | 中国<br>China   |                   |                  |                  |
| 保存温度范围<br>Storage temperature range                            | - 40°C ~ + 85°C   |                   |                  |                  |
| 使用环境温度:<br>Usage environment temperature                       | - 30°C ~ + 80°C   |                   |                  |                  |
| 焊接条件<br>Recommended conditions of dip soldering                | 1. 使用基板: 单面覆铜板。<br>2. 溶剂处理: 密度不高于 0.82。<br>3. 基板预热温度最高 100°C, 2 秒内。<br>4. 焊接温度最高 260°C, 10 秒内。<br>5. 以上过程均保证在 1 到 2 秒。<br>Board:One sided copper foil.<br>Fluxing:To use the flux of min.0.82 density.<br>Preheating:Temperature of board surface:100°C max at within 2 minutes.<br>Soldering:260°C max,at within 3 sec.<br>To guarantee the above process at 1 or 2 times. |                   |                  |                  |
| 跌落测试<br>Drop test  | 试件装配在 350g 重量的整机上, 旋钮位置从 180 cm 高度做 10 次自由跌落, 跌落面为铁板。<br>Assemble the product into 350g radio , do 10 times free drop on rotational knob position from 180cm height , drop surface is iron plate  |                   |                  |                  |
| IPX8 级防水 (轴芯防水)<br>Scal ability                                | 装置在机器上时, 水深 1 米内放置 60 分钟<br>Install it on the machine and then place it in a depth of 1m for 30 minutes.  |                   |                  |                  |
| 本产品符合 ROHS 指令<br>This product is compliant with ROHS Directive |   |                   |                  |                  |
| 注意项目<br>Attention item   |   |                   |                  |                  |
| 改版事项<br>Notes  |   |                   |                  |                  |
| 东莞市长泰尔电子有限公司<br>DONG GUAN CHANG TAI ERELECTRONIC CO.,LTD       |   | 制作<br>Designed By | 审核<br>Checked By | 核准<br>Approve By |
|  |   |                   |                  |                  |



批号  
Lot No.



CIRCUIT: NS

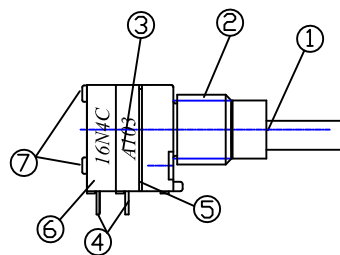


|    |      |    |    |
|----|------|----|----|
| ▽  |      |    |    |
| ▽  |      |    |    |
| ▽  |      |    |    |
| ▽  |      |    |    |
| ▽  |      |    |    |
| 标记 | 变更内容 | 改图 | 日期 |

|                |  |              |     |                         |     |            |  |
|----------------|--|--------------|-----|-------------------------|-----|------------|--|
| 未注尺寸公差         |  | 东莞市长泰尔电子有限公司 |     |                         |     |            |  |
| L≤1.0时 ±0.1    |  | 视角           | 制图  | 喻钊                      | 出图日 | 2017-05-03 |  |
| 1.0<L≤10时 ±0.3 |  | 比例           | 3:1 | 单位                      | mm  |            |  |
| 10<L≤30时 ±0.5  |  | 版本           | 1.0 | 设计                      | 审核  | 批准         |  |
| 30<L≤100时 ±1.0 |  | 品名           |     | R085A0NS 组立图            |     |            |  |
|                |  | 图号           |     | R085A0NSFK15S7A103-1005 |     |            |  |

# 1、产地及生产时间

## Marking detail



16 N 4 C

产地: C (中国)  
Country of origin: C (China)

WEEK CODE: 1 (1st Week )、2 (2nd Week )、3 (3rd Week )、4 (4th Week )、5 (5th Week )

月份: 1 (1月)、2 (2月)、... O(10月)、N (11月)、D (12月)  
Month code: 1 (Jan.)、2 (Feb.)、... O(Oct.)、N (Nov.)、D (Dec.)

年份: 11 (2011)、12 (2012)、13 (2013) ... 18 (2018)、19 (2019)、20 (2020)  
Year Code: 11 (2011)、12 (2012)、13 (2013)、... 18 (2018)、19 (2019)、20 (2020)

# 2、材质

## Materials

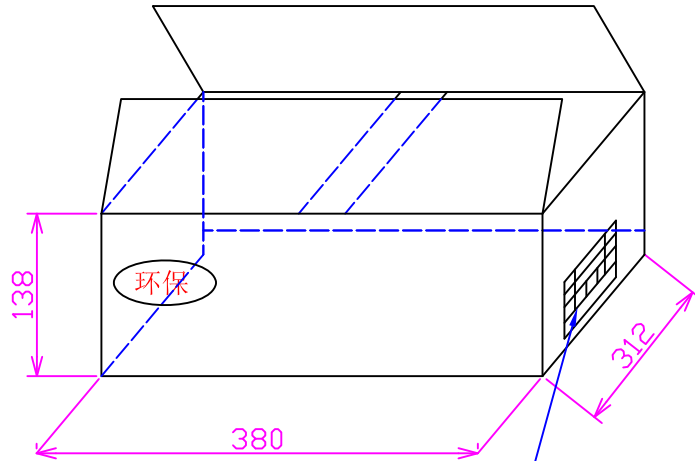
| 序号<br>No. | 部件名称<br>Component Part Name   | 材质<br>Material quality                  | 数量<br>QTY | 颜色<br>Color          | 供应商<br>Supplier | SGS |
|-----------|-------------------------------|---|-----------|----------------------|-----------------|-----|
| 1         | 轴芯<br>Shaft                   | 不锈钢 <SUS303><br>Stainless steel<SUS303> | 1         | 灰色<br>Gray           | 中国<br>China     |     |
| 2         | 轴套<br>Bushing                 | 不锈钢<SUS630><br>Stainless steel<SUS630>  | 1         | 灰色<br>Gray           | 中国<br>China     |     |
| 3         | 基片塑料壳<br>Carbon plastic shell | PA66-G15                                | 1         | 蓝色<br>Blue           | 中国<br>China     |     |
| 4         | 端子<br>Terminal                | 磷铜镀银<br>Copper                          | 1         | 银白色<br>Silvery white | 中国<br>China     |     |
| 5         | 隔板<br>Partition               | 不锈钢<br>Stainless steel                  | 1         | 灰色<br>Gray           | 中国<br>China     |     |
| 6         | 开关本体<br>SWITCH BODY           | PA66+G15                                | 1         | 蓝色<br>Blue           | 中国<br>CHINA     |     |
| 7         | 铆钉<br>Rivet                   | 紫铜镀镍<br>Red copper plate Nickel         | 2         | 银白色<br>Silvery white | 中国<br>China     |     |
|           |                               |   |           |                      |                 |     |
|           |                               |   |           |                      |                 |     |
|           |                               |   |           |                      |                 |     |
|           |                               |   |           |                      |                 |     |
|           |                               |   |           |                      |                 |     |

东莞市长泰尔电子有限公司  
DONG GUAN CHANG TAI ER ELECTRONICS CO.,LTD.

|                 |                         |                   |                  |                   |
|-----------------|-------------------------|-------------------|------------------|-------------------|
| 版本<br>Edition   | 1.0                     | 设计<br>Designed By | 审核<br>Checked By | 批准<br>Approved By |
| 品名<br>Type Name | R085A0NS                |                   |                  |                   |
| 图号<br>Dwg. NO.  | R085A0NSFK15S7A103-1005 |                   |                  |                   |

包装条:  
Inner carton box:  
1扎捆20条  
A box put 20 layer box

外箱:  
Outer carton box:  
1箱放15扎  
A box put 15 Inner carton box

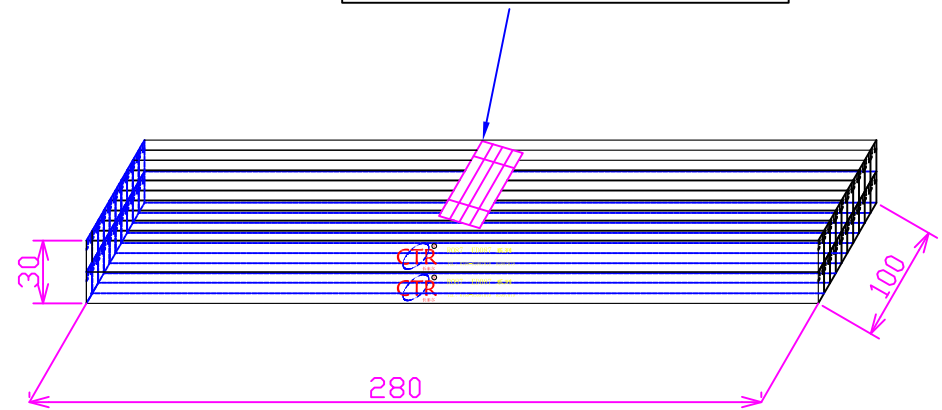


(Trademark)

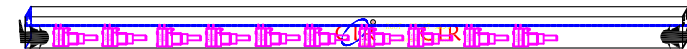
| 装箱单  |                         |  |                |
|--|-------------------------|--|----------------|
| Customer<br>客户名称   |                         |  | RoHS<br>符合     |
| Model No<br>客户料号   |                         |  |                |
| Type<br>型号规格   |                         |  | C / NO<br>订单号码 |
| Q.T.Y<br>数量  |                         |  | Date<br>日期     |
| Boxing No<br>箱号  | Total Boxing QTY<br>总箱数 |  | QC<br>检验       |
| DONG GUAN CHANG TAI ER ELECTRONICS CO.,LTD<br>东莞市长泰尔电子有限公司 |                         |  |                |

(Trademark)

|                 |  |            |    |
|-----------------|--|------------|----|
| SUPPLIER<br>供应商 |  |            | 环保 |
| ITEM CODE<br>料号 |  |            |    |
| TYPE<br>型号      |  |            |    |
| QTY<br>数量       |  | DATE<br>日期 |    |
| LOTNO<br>批号     |  |            |    |

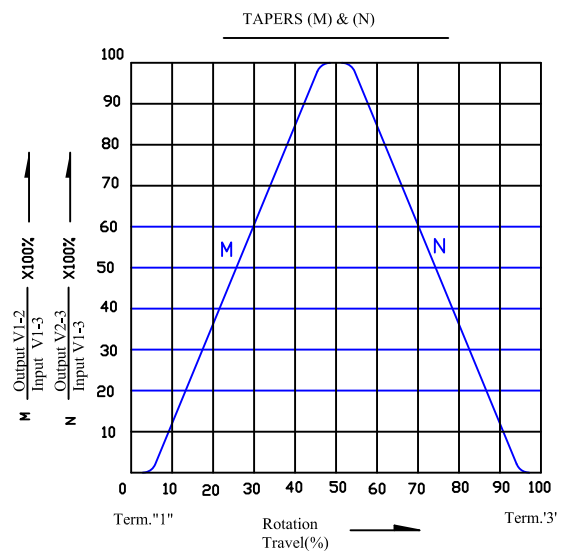
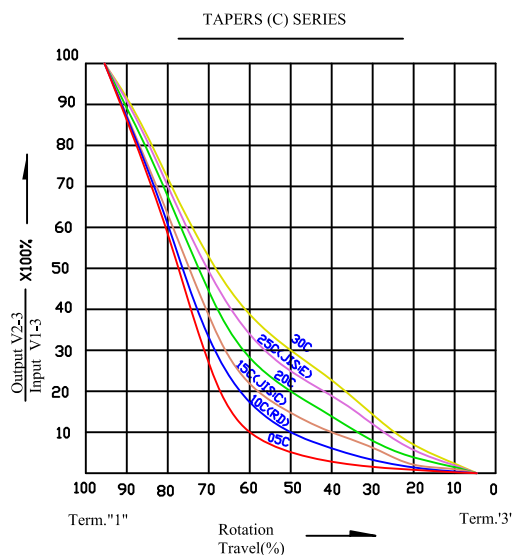
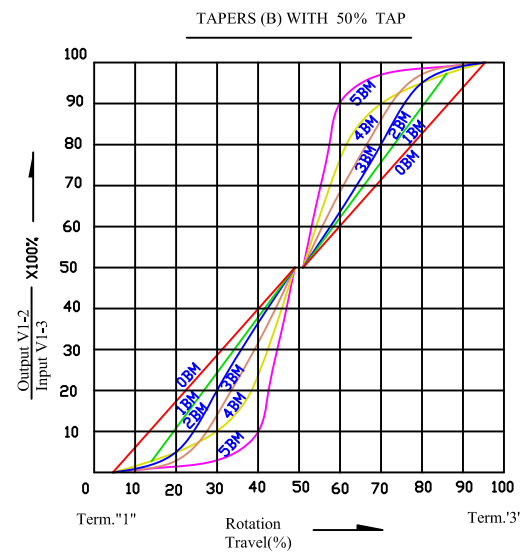
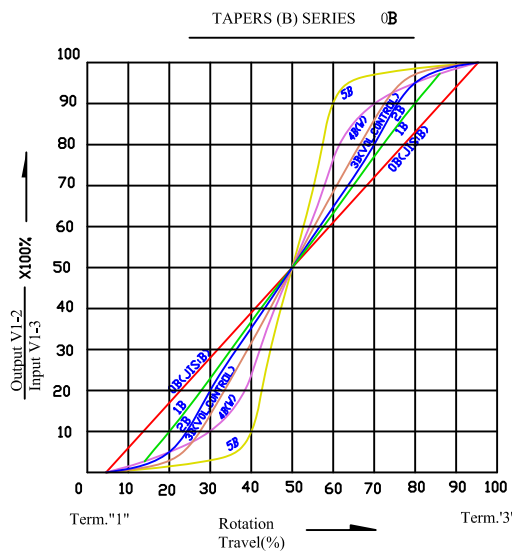
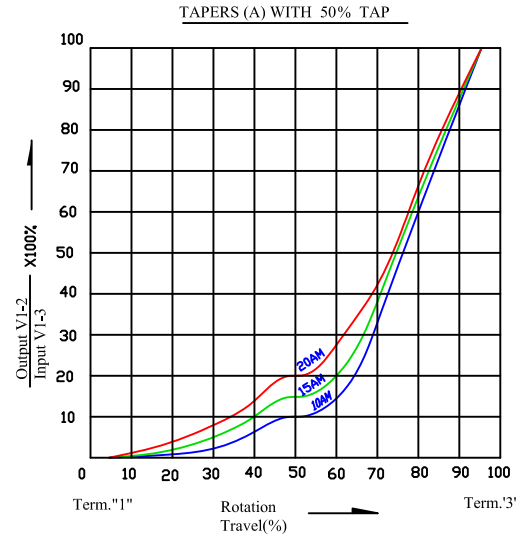
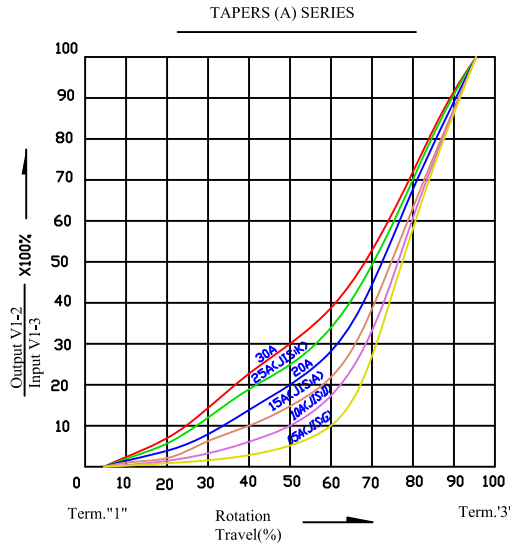


包装条:  
Box:  
1条放10PCS产品  
A box put 10 pcs



| 东莞市长泰尔电子有限公司<br>DONG GUAN CHANG TAI ER ELECTRONICS CO., LTD |                                       |               |     |                   |                  |                   |
|---|---------------------------------------|---------------|-----|-------------------|------------------|-------------------|
| 单位<br>Unit  | 毫米<br>mm                              | 版本<br>Edition | 1.0 | 设计<br>Designed By | 审核<br>Checked By | 批准<br>Approved By |
| 品名<br>Type Name   | R085A0NS电位器<br>R085A0NS POTENTIOMETER |               |     |                   |                  |                   |
| 图号<br>Dwg.NO.   | R085A0NSFK15S7 Parking                |               |     |                   |                  |                   |

# 阻抗变化特性 Resistance tapers



## X-ON Electronics

Largest Supplier of Electrical and Electronic Components

*Click to view similar products for [Potentiometers](#) category:*

*Click to view products by [CTR](#) manufacturer:*

Other Similar products are found below :

[580SX4Q25F102SP](#) [580SX4Q25F103ZP](#) [58C2-2](#) [590SX1N32F103SS](#) [591SXJ48S252SC](#) [591SXP56S252SC](#) [591SXP56S503SC](#) [D31409](#)  
[70B1G048K502X-A](#) [70B1M032S502W](#) [70B1N056S202W](#) [70B8N056F502W](#) [70J8N048S104U](#) [70L1N040P103W](#) [70L1N048P103X](#)  
[70L1N048S103W](#) [GA2G056S101UA](#) [GA2G056S251UA](#) [GA2G056S501UA](#) [GA2L040S102UC](#) [GA2L040S103UC](#) [GA2L040S501UC](#)  
[GS1G044P103UA](#) [GS1T032S103UA](#) [A43-1500](#) [A43-20K](#) [A47-200K](#) [A4720K](#) [RK14K1220-F25-C0-A103](#) [RK14K1220F25C0C104](#)  
[RK14K1220-F25-C1-B103](#) [14910FBGLFY00103KA](#) [C0342008 5K](#) [J97589](#) [RV170F-10-15R1-B500K-0021](#) [917523A](#) [A43-40](#) [A43-750](#)  
[A43S-5](#) [A47-15K](#) [A47-1K](#) [A4750K](#) [SPPG056P103U](#) [SWE-10](#) [GA2G040F103BA](#) [GA2G056S503UA](#) [GA2G056S504UA](#) [GA2L040S502UC](#)  
[GA2L040S503UC](#) [POT-3217-02 \(MW22S-3217-500\)](#)