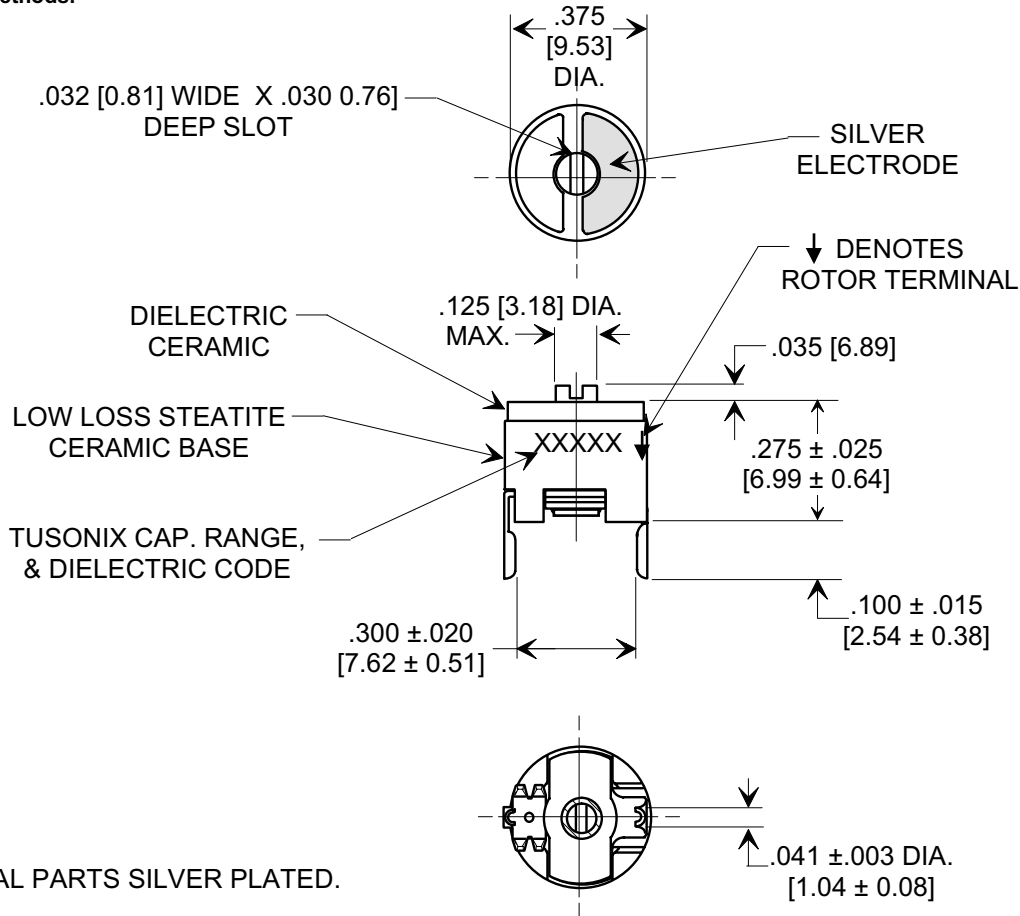
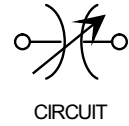
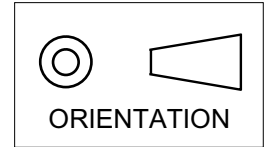


MARKETING SALES DRAWING

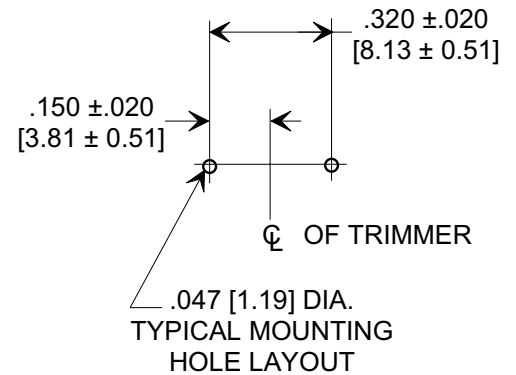
DIMENSIONS IN INCHES - DO NOT SCALE THIS DRAWING
 DIMENSIONS IN METRIC - []

Electrical Testing
 per Tusonix standard
 test plans and Mil-Std-202
 Test Methods.



NOTE:
 ALL METAL PARTS SILVER PLATED.

FOR DIMENSIONS ≤ .125"/3.18mm,
 TOLERANCE IS ±.015"/0.38mm.
 FOR DIMENSIONS ≥ .126"/3.20mm,
 TOLERANCE IS ±.030"/0.76mm.



ORDERING INFORMATION

Part No.	538-011 B 7.0 - 25
Capacitance	7.0 - 25 pF
Capacitance Tol.	MIN . + 10%, MAX. -10%, +100%
Dielectric Type Code	B
Voltage Rating	350 VDC TO + 85°C, 200VDC TO +125°C
Operating Temperature Range:	-55°C TO + 125°C
To Tusonix Spec Unless Stated Otherwise	

X-2015 Rev-0

REVISION RECORD Original Release C.O. 200001105-7-01 METRIC DIMS & ORIENTATION SYMBOL CIRCUIT & NOTES ADDED L.E. 06-03-03 20030530-1-01	TOLERANCES unless otherwise specified		Title CERAMIC TRIMMER
	2 PLC. DECIMAL ±		
	3 PLC. DECIMAL ±		Drawn L.E. 01-07-00
	ANGLES ± 10°		Approved H.R. 01-07-00
TUSONIX TUCSON, ARIZONA		A	538-011 B 7.0 - 25

X-ON Electronics

Largest Supplier of Electrical and Electronic Components

Click to view similar products for [Trimmer/Variable Capacitors](#) category:

Click to view products by [CTS](#) manufacturer:

Other Similar products are found below :

[GKY20086](#) [GNC8R050](#) [GXA18000](#) [GXA36000](#) [GXC90000](#) [GXE5R000NM](#) [GXL10000](#) [GZN60100](#) [PC50H230](#) [PC50J110](#) [PC51H230](#)
[GDT40026](#) [GKU90020](#) [GNR4R550](#) [GNR8R050](#) [GXL15000](#) [538-011 D 9-35LF](#) [PC39G520](#) [STPTIC-56G2C5](#) [27271LSL](#) [27281SL](#)
[STPTIC-82G2C5](#) [27283-3R10](#) [GNL8R050](#) [GYB5R000](#) [0538-006-F-15.0-60LF](#) [GXL18000](#) [GHC5R500](#) [GZD80000](#) [TP11G](#) [KT1SD](#) [KF8](#)
[KP8](#) [KM8](#) [KG8](#) [KJ8](#) [KT8](#) [KG10](#) [KP10](#) [KF10](#) [KJ10](#) [KM10](#) [TP42C](#) [NMAJ25HV](#) [KF4SD](#) [KJ1SD](#) [KP1SD](#) [KM4SD](#) [KT4SD](#) [KP4SD](#)