



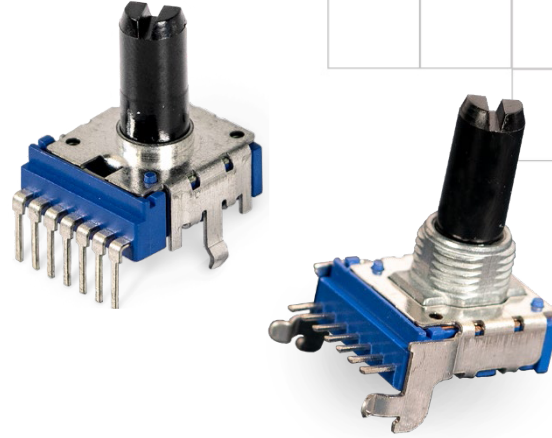
# Series 14VR

## 14mm Panel Potentiometer

- Standard 14mm package size
- Rotational life (15,000 cycles)
- Wide temperature range (-10°C to +70°C)
- Dual output with excellent tracking ( $\pm 2$  dB)
- Variety of standard resistances & tapers

### Applications

- Consumer portable electronics
- Commercial appliances
- Instrument amplifiers and guitar effects
- Keyboards and synthesizers
- Communications equipment



### Ordering Information

Series	Element	Terminal Configuration	Shaft Length	Shaft Trim	Mechanical Travel	Detent Option	Resistance Code	Resistance Taper
14VR	2	H	20	F	2	N	103	B1

Code	Spec.	Code	Spec.	Code	Spec.**
X	Horizontal/Side Mount Bushingsless, PC Pins, 10mm Height	F	Flatted	N	No Detent
H	Vertical/Rear Mount Thread Bushing, PC Pins			C	Center Detent
K	Vertical/Rear Mount Sleeve Bushing, PC Pins				
Y	Horizontal/Side Mount Thread Bushing, PC Pins, 10mm Height				
U	Vertical/Rear Mount Bushingsless, PC Pins				

Code	Spec.*	Code	Spec.
2	Dual	2	300°

Code	Spec.*	Code	Spec.
12	12.5 mm	502	5k $\Omega$
15	15 mm	103	10k $\Omega$
17	17.5 mm	203	20k $\Omega$
20	20 mm	503	50k $\Omega$
22	22.5 mm	104	100k $\Omega$
25	25 mm	254	250k $\Omega$
27	27.5 mm	504	500k $\Omega$
30	30 mm		

\* See shaft trim options for available lengths.

\*\* Other JIS tapers are available. See charts.



## Electrical Specifications

	Min	Typical	Max	Unit
Total Resistance Tolerance	-20	–	+20	%
Power Rating	–	+0.05	–	watt
Operating Voltage	–	–	+50	VAC
Residual Resistance	–	–	+30	Ω
Slider Noise	–	–	+100	mV
Tracking Error	-2	–	+2	dB
Insulation Resistance	250 VDC for 1 min.	+100		MΩ
Dielectric Strength	300 VAC for 1 min. no arcing			
Taper	Linear and audio options (see charts)			

## Mechanical

Total Mechanical Travel	300° ± 5°
Operating Torque	30 to 200 gf-cm
Shaft Wobble	
Bushingless	0.7 x L/20mm p-p max.; L = Shaft Length
With Bushing	0.7 x L/30mm p-p max.; L = Shaft Length
Shaft Push-Pull Strength	8 kgf for 3 sec.
Stop Strength	5 kgf-cm min.
Detent Position	150° ± 5°
Detent Torque	30 to 300 gf-cm
Rotational Life	15,000 cycles
Panel Nut Tightening Torque	10 kgf-cm
IP Rating	40
Mounting Hardware	One flat washer and one mounting hex nut supplied with bushing option
Packaging	Tray
Weight	3 grams

## Environmental

	Min	Typical	Max	Unit
Operating Temperature	-10	–	+70	°C
Storage Temperature	-30	–	+70	°C
Soldering Conditions				
Wave Solder	Preheat: 100°C max for 2 min max; Solder temperature: 260°C ± 5°C for 5 sec max.; No clean foam flux recommended			
Manual Solder	350°C ± 5°C for 3 sec max.; Sn95Ag5 no clean solder			
Wash	Not recommended			
Moisture Sensitivity Level	1			
ESD Classification (HBM)	Not applicable			

All testing is performed at room ambient conditions except as noted. Users should verify device actual performance in their specific applications  
This product is compliant to RoHS3 Directive 2015/863 Amendments of Annex II on 31 March 2015, and REACH SVHC Directive EC 1907/2006 Amendments of Annex XIV & Annex XVII on 15 January 2018.  
Custom and value-added options available on request. Please contact your sales representative for additional information.

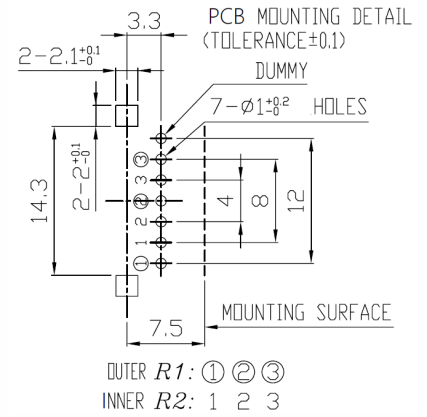
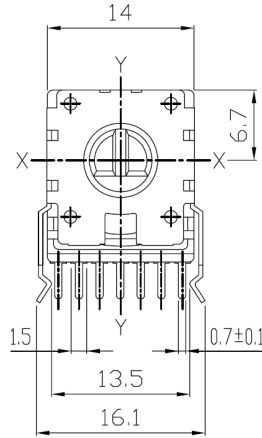
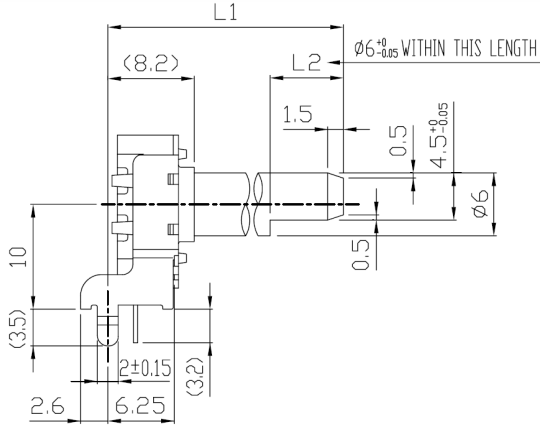
### Available Shaft Trim Combinations by Terminal Configuration And Shaft Length

	Shaft Length Options	Shaft Trim Flatted
<b>14VR2X</b>	12.5 mm	
	15 mm	•
	17.5 mm	
	20 mm	•
	22.5 mm	•
	25 mm	•
	27.5 mm	•
	30 mm	•
<b>14VR2H</b>	12.5 mm	•
	15 mm	•
	17.5 mm	•
	20 mm	•
	22.5 mm	•
	25 mm	•
	27.5 mm	
	30 mm	•
<b>14VR2K</b>	12.5 mm	
	15 mm	
	17.5 mm	
	20 mm	•
	22.5 mm	•
	25 mm	•
	27.5 mm	•
	30 mm	•
<b>14VR2Y</b>	12.5 mm	•
	15 mm	•
	17.5 mm	•
	20 mm	•
	22.5 mm	•
	25 mm	•
	27.5 mm	
	30 mm	•
<b>14VR2U</b>	12.5 mm	
	15 mm	•
	17.5 mm	
	20 mm	•
	22.5 mm	•
	25 mm	•
	27.5 mm	•
	30 mm	•

[www.ctscorp.com](http://www.ctscorp.com)

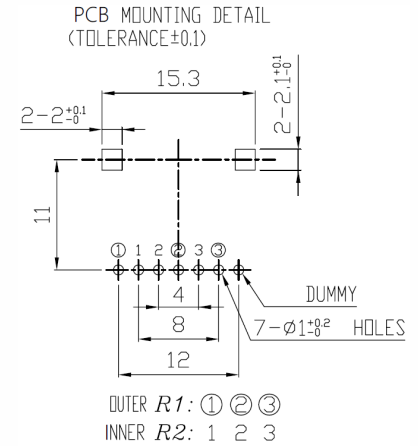
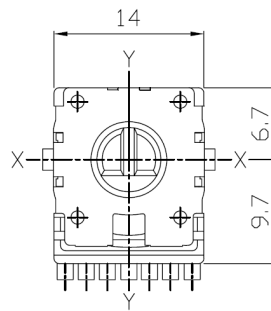
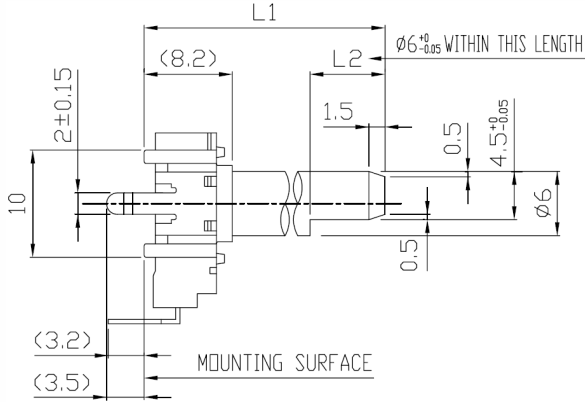
### Mechanical Specifications

#### Series 14VR Horizontal/Side Mount Bushingless

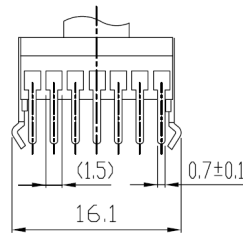
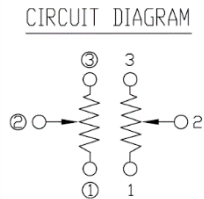
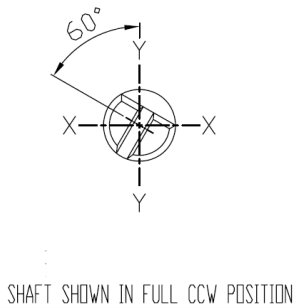


SHAFT SHOWN IN CENTER POSITION  
OR CENTER CLICK POSITION

#### Series 14VR Vertical/Rear Mount Bushingless



SHAFT SHOWN IN CENTER POSITION  
OR CENTER CLICK POSITION



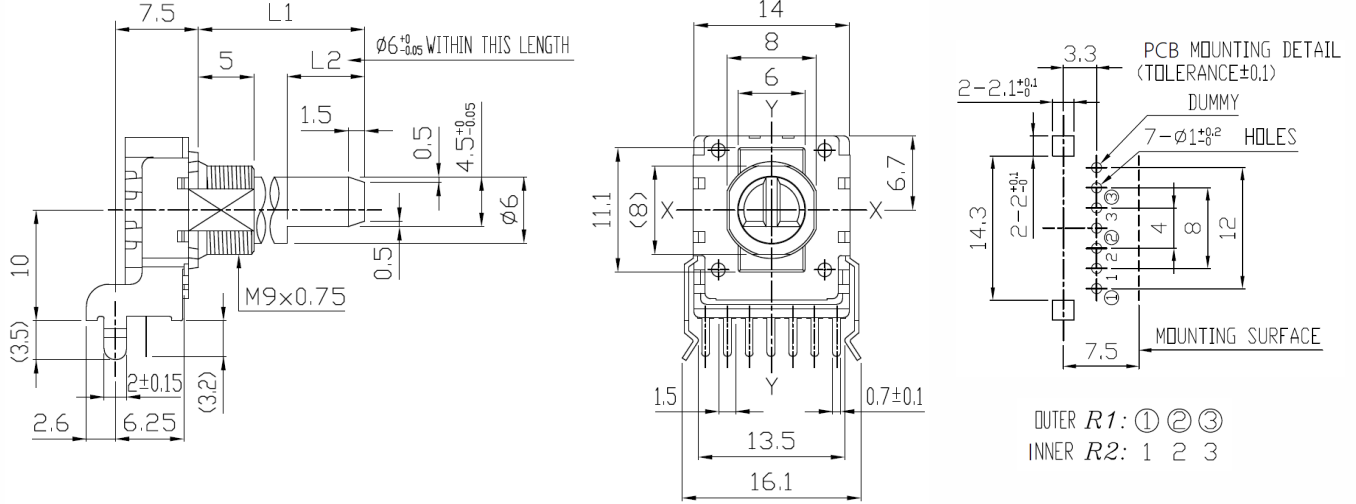
LENGTH	
L1	L2
20	7
22.5	7
25	12
27.5	12
30	12

Unit: mm

TOLERANCES UNLESS OTHERWISE SPEC	
$L \leq 10$	$\pm 0.3$
$10 < L \leq 100$	$\pm 0.5$
$100 < L$	$\pm 0.8$
ANGULAR DIMENSION	$\pm 5^\circ$

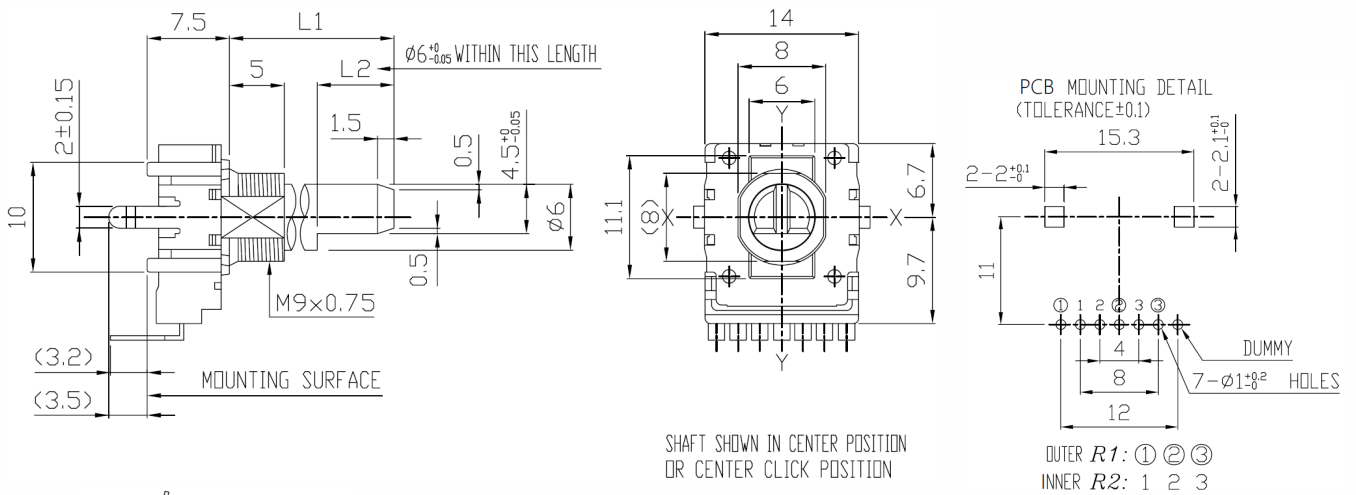
### Mechanical Specifications

#### Series 14VR Horizontal/Side Mount with Threaded Bushing

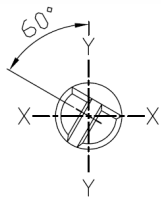


SHAFT SHOWN IN CENTER POSITION  
OR CENTER CLICK POSITION

#### Series 14VR Vertical/Rear Mount with Threaded Bushing

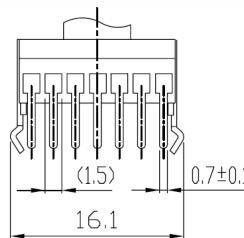
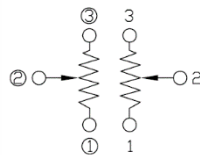


SHAFT SHOWN IN CENTER POSITION  
OR CENTER CLICK POSITION



SHAFT SHOWN IN FULL CCW POSITION

#### CIRCUIT DIAGRAM



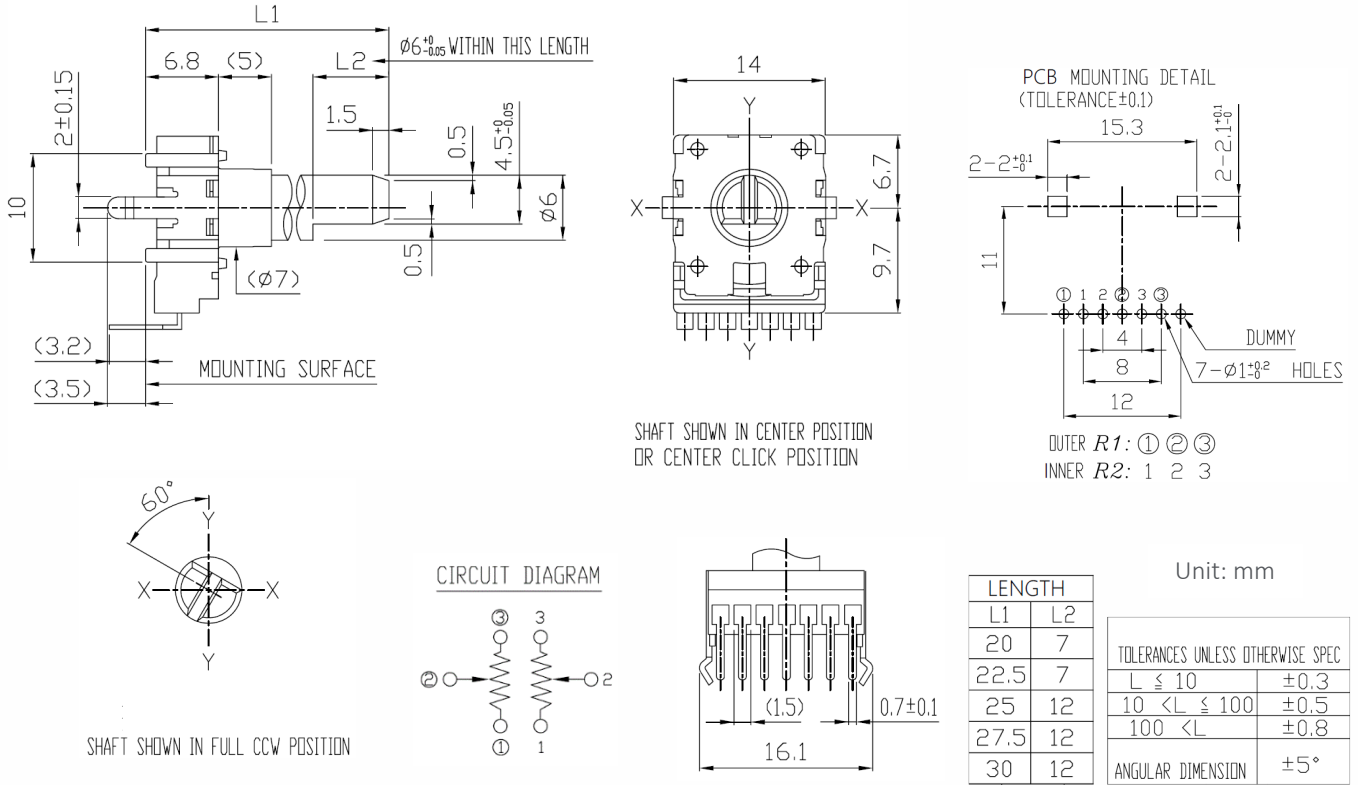
LENGTH	
L1	L2
12.5	7
15	7
17.5	12
20	12
22.5	12
25	12
30	12

Unit: mm

TOLERANCES UNLESS OTHERWISE SPEC	
L $\leq$ 10	$\pm 0.3$
10 < L $\leq$ 100	$\pm 0.5$
100 < L	$\pm 0.8$
ANGULAR DIMENSION	$\pm 5^\circ$

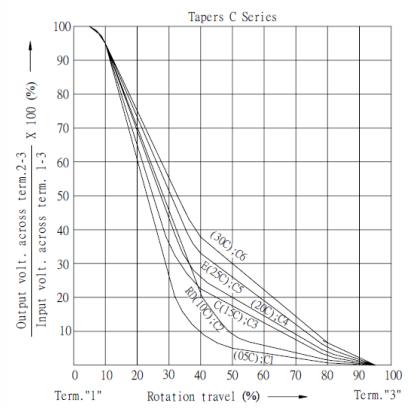
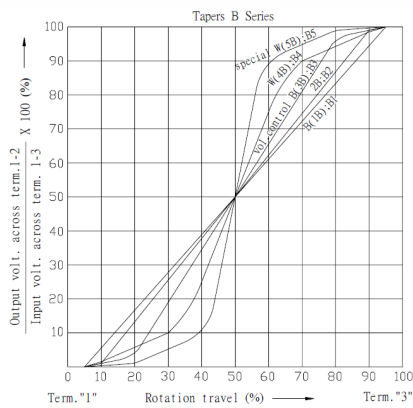
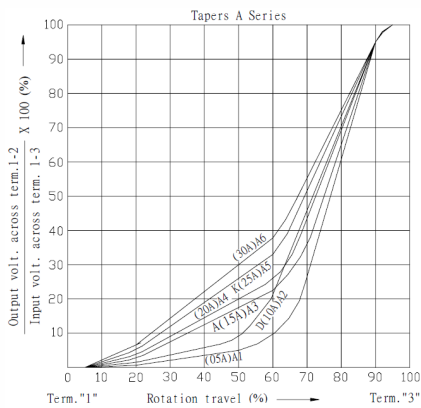
### Mechanical Specifications

#### Series 14VR Vertical/Rear Mount with Sleeve Bushing



### Electrical Specification

#### Series 14VR Taper Graphs



## X-ON Electronics

Largest Supplier of Electrical and Electronic Components

*Click to view similar products for [Potentiometers](#) category:*

*Click to view products by [CTS](#) manufacturer:*

Other Similar products are found below :

[58C2-2](#) [590SX1N32F103SS](#) [591SXJ48S252SC](#) [591SXP56S252SC](#) [591SXP56S503SC](#) [D31409](#) [70B1G048K502X-A](#) [70B1M032S502W](#)  
[70B1N056S202W](#) [70B8N056F502W](#) [70J8N048S104U](#) [70L1N040P103W](#) [70L1N048P103X](#) [70L1N048S103W](#) [GA2L040S102UC](#)  
[GA2L040S103UC](#) [GS1G044P103UA](#) [GS1N048P103UA](#) [GS1T032S103UA](#) [A43-1500](#) [A43-20K](#) [A47-200K](#) [A4720K](#) [RA20LASD251A](#)  
[132-2-0-202](#) [132-0-0-202](#) [RK14K1220-F25-C0-A103](#) [RK14K1220F25C0C104](#) [RK14K1220-F25-C1-B103](#) [14910FAGJSX10102KA](#)  
[14910FBGLFY00103KA](#) [14910AABHSX10103KA](#) [14910FAGJSX10104KA](#) [152-01031](#) [C0342008 5K](#) [P270-109A](#) [J97589](#) [23M728](#)  
[248BBHS0XB25104MA](#) [RV170F-10-15R1-B500K-0021](#) [RV8NAYSB104A](#) [917523A](#) [A43-40](#) [A43-750](#) [A43S-5](#) [A47-15K](#) [A4750K](#)  
[SPPG048S103U](#) [SPPG056P103U](#) [SWE-10](#)