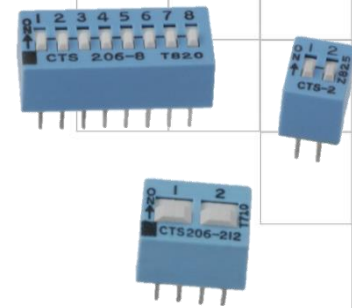




# Series 206 Through-Hole DIP Switch

- Available with SPST, SPDT, DPST, 3PST circuit choices
- Available with low profile, standard, or extended actuator heights. Consult the ordering information for options.
- Blue housing
- RoHS compliant
- Optional top tape seal for board spray washing
- Gold plated contacts



## Description

The terminals are molded into the thermoset base and provide an electrostatic discharge shield rating to 22KV when the front row of terminals are connected to ground. The optimized contact design incorporates a dimple-to-flat surface wiping interface for long-term contact corrosion resistance, making the 206 series an ideal choice for many applications.

## Ordering Information

| Series | Number of Poles | Number of Throws | Number of Switch Positions | Actuator Height | Bottom Epoxy Seal | Top Tape Seal | Actuation Preset |
|--------|-----------------|------------------|----------------------------|-----------------|-------------------|---------------|------------------|
| 206-   | 1               | 2                | 1                          | E               | S                 | T             | N                |

| Code  | No. of poles |
|-------|--------------|
| Blank | For SPST     |
| 1     | Single pole  |
| 2     | Double pole  |
| 3     | 3 poles      |

| Code  | Spec.        |
|-------|--------------|
| Blank | For SPST     |
| 1     | Single throw |
| 2     | Double throw |

| Code | No. of switch positions |
|------|-------------------------|
| 1    | 1 position              |
| 2    | 2 positions             |
| 3    | 3 positions             |
| 4    | 4 positions             |
| 5    | 5 positions             |
| 6    | 6 positions             |
| 7    | 7 positions             |
| 8    | 8 positions             |
| 9    | 9 positions             |
| 10   | 10 positions            |
| 12   | 12 positions            |

| Code  | Spec.                                  |
|-------|--|
| Blank | Standard (0.89mm/.035")                |
| E     | Extended (3.43mm/.135") (SPST only)    |
| LP    | Low profile (Flush) (SPST & SPDT only) |

| Code  | Bottom epoxy seal                |
|-------|----------------------------------|
| Blank | No epoxy seal                    |
| S     | Epoxy seal (Required for 206-1S) |

| Code  | Spec.  |
|-------|--|
| BLANK | Ship at OFF position                         |
| N     | Ship at ON position (SPST, DPST & 3PST only) |

| Code  | Top tape seal   |
|-------|---|
| Blank | No top tape seal  |
| T     | Top tape seal (Not available for extended actuator or 1-position SPST DIP switch) |

- Notes:
- 1.Contact CTS for other common features not listed.
  2. Not available in a Double Pole Double Throw (DPDT) construction



## Electrical Specifications

| Parameter             | Conditions & Remarks              | Min  | Max | Unit      |
|-----------------------|-----------------------------------|------|-----|-----------|
| Contact Resistance    | Initial                           |      | 50  | milliohms |
|                       | At end of life                    |      | 100 |           |
| Insulation Resistance | Between insulated terminals       | 1000 |     | Megohms   |
| Dielectric Strength   | 500 VAC between adjacent switches |      | 1   | minute    |
| Switch Capacitance    | Between adjacent closed switches  |      | 5.0 | pF        |
| Nonswitching Rating   |                                   |      | 100 | mA        |
|                       |                                   |      | or  | or        |
|                       |                                   |      | 50  | VDC       |
| Circuit               | SPST                              | 1    | 12  | Position  |
|                       | SPDT                              | 1    | 6   | Position  |
|                       | DPST                              | 1    | 6   | Position  |
|                       | 3PST                              | 1    | 4   | Position  |

## Mechanical and Environmental

|                             |  |
|-----------------------------|--|
| Actuation Life              | 10,000 cycles switching 50mA @ 24VDC   |
| Soldering                   | Maximum wave temperature, 260°C for 5 seconds  |
| Shock                       | Per MIL-STD-202F, method 213B, condition A(50G's) with no contact inconsistencies greater than 1 microsecond                                 |
| Vibration                   | Per MIL-STD-202F, method 204D, condition B (.06" or 15G's between 10 HZ to 2K HZ) with no contact inconsistencies greater than 1 microsecond |
| Seal                        | Bottom epoxy seal optional<br>Optional top tape seal for board spray washing   |
| Marking                     | Special side or top marking available-consult CTS  |
| Packaging:                  | Standard anti-static tube packaging  |
| Operating Temperature Range | -55°C to +85°C   |
| Storage Temperature Range   | -55°C to +85°C   |

### Mechanical Specifications

Figure 1 - SPST

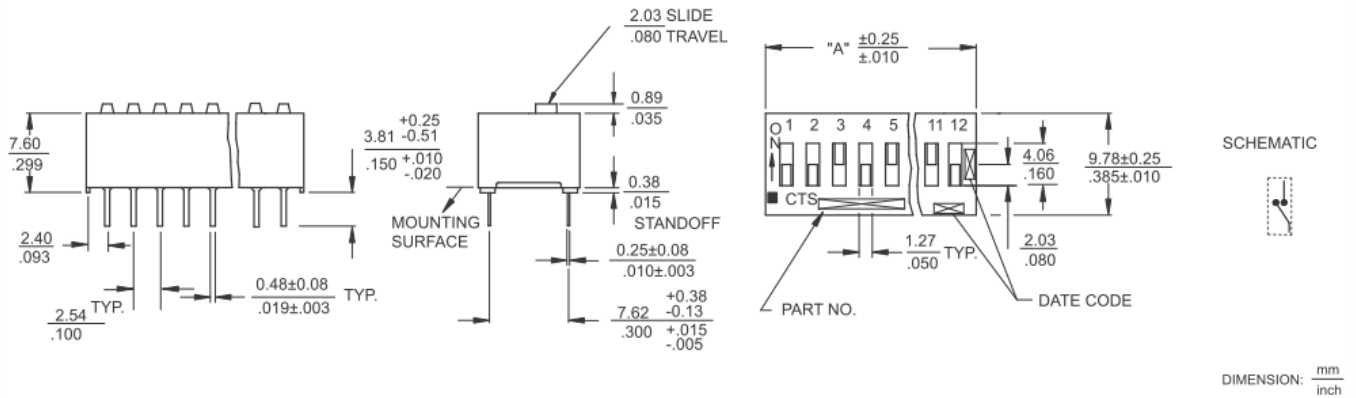


Figure 2 – SPDT

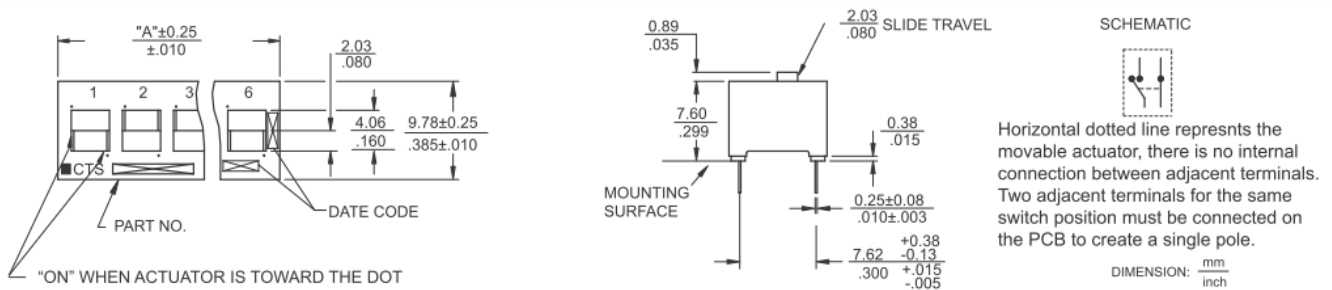


Figure 3 – DPST

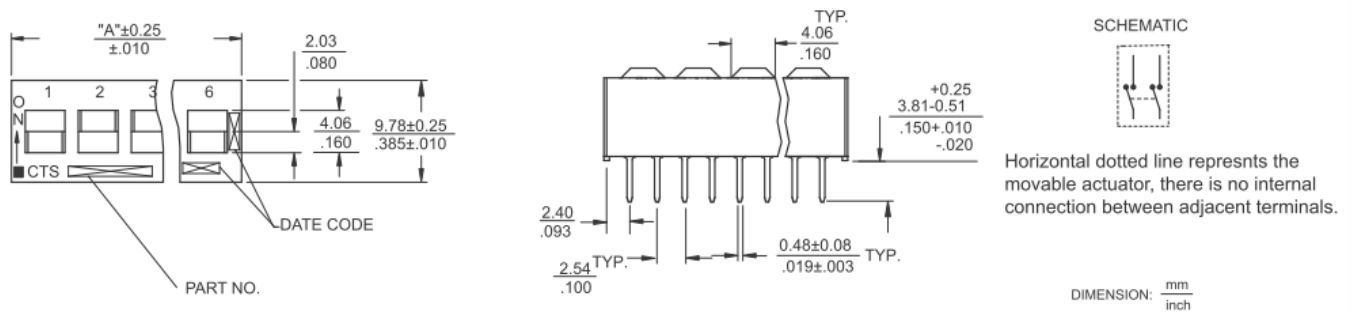


Figure 4 - 3PST

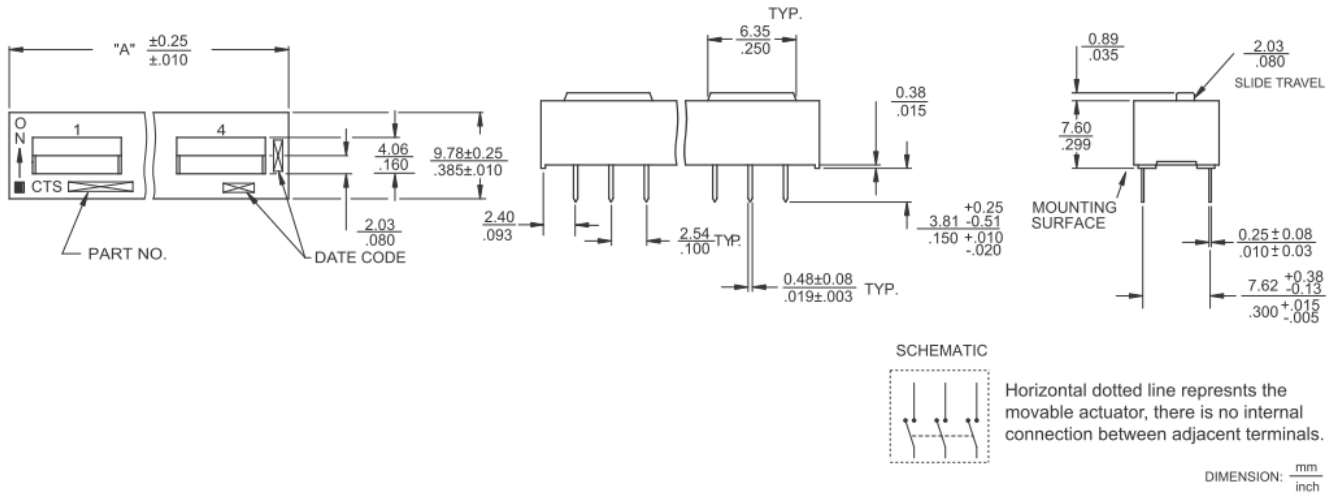


Figure 5 – Low Profile Actuators (SPST & SPDT only)

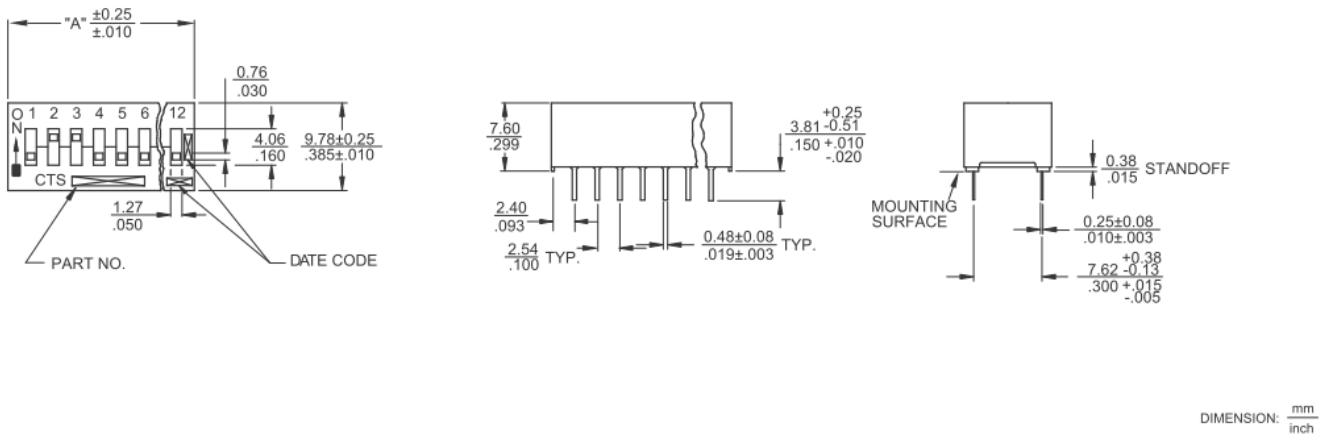
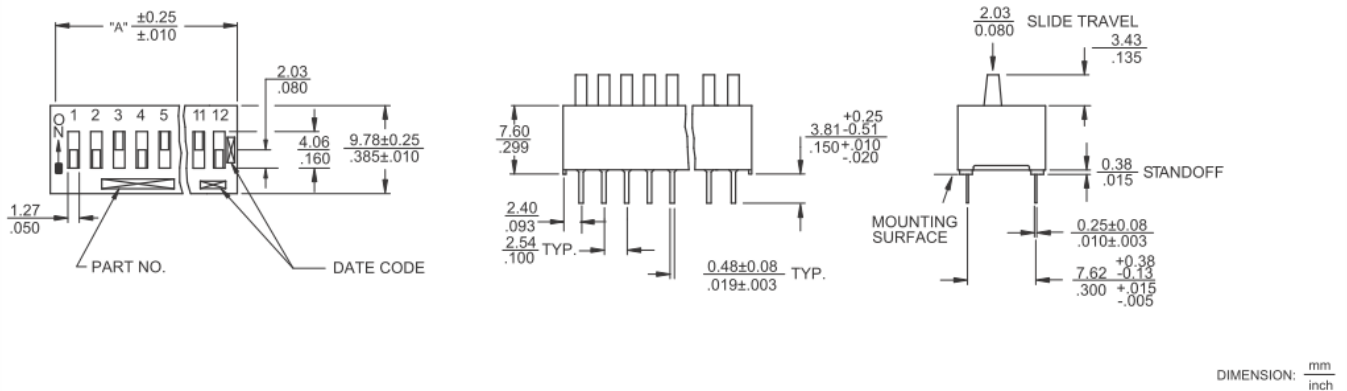


Figure 6 – Extended Actuators (SPST only)





| "A" Overall Dimensions | Number of Switch Positions | Actuation | Part Number | Both Bottom and Top Sealed | Low Profile Both Bottom and Top Sealed |
|------------------------|----------------------------|-----------|-------------|----------------------------|--|
| 3.96 / .156            | 2                          | SPST      | 206-1S      | -                          | -                                      |
| 7.26 / .286            | 2                          | SPST      | 206-2       | 206-2ST                    | 206-2LPST                              |
| 9.80 / .386            | 3                          | SPST      | 206-3       | 206-3ST                    | 206-3LPST                              |
| 12.34 / .486           | 4                          | SPST      | 206-4       | 206-4ST                    | 206-4LPST                              |
| 14.88 / .586           | 5                          | SPST      | 206-5       | 206-5ST                    | 206-5LPST                              |
| 17.42 / .686           | 6                          | SPST      | 206-6       | 206-6ST                    | 206-6LPST                              |
| 19.96 / .786           | 7                          | SPST      | 206-7       | 206-7ST                    | 206-7LPST                              |
| 22.50 / .886           | 8                          | SPST      | 206-8       | 206-8ST                    | 206-8LPST                              |
| 25.04 / .986           | 9                          | SPST      | 206-9       | 206-9ST                    | 206-9LPST                              |
| 27.58 / 1.086          | 10                         | SPST      | 206-10      | 206-10ST                   | 206-10LPST                             |
| 32.66 / 1.286          | 12                         | SPST      | 206-12      | 206-12ST                   | 206-12LPST                             |
| 7.26 / .286            | 1                          | SPDT      | 206-121     | 206-121ST                  | 206-121LPST                            |
| 12.34 / .486           | 2                          | SPDT      | 206-122     | 206-122ST                  | 206-122LPST                            |
| 17.42 / .686           | 3                          | SPDT      | 206-123     | 206-123ST                  | 206-123LPST                            |
| 22.50 / .886           | 4                          | SPDT      | 206-124     | 206-124ST                  | 206-124LPST                            |
| 27.58 / 1.086          | 5                          | SPDT      | 206-125     | 206-125ST                  | 206-125LPST                            |
| 32.66 / 1.286          | 6                          | SPDT      | 206-126     | 206-126ST                  | 206-126LPST                            |
| 7.26 / .286            | 1                          | DPST      | 206-211     | 206-211ST                  |  |
| 12.34 / .486           | 2                          | DPST      | 206-212     | 206-212ST                  |  |
| 17.42 / .686           | 3                          | DPST      | 206-213     | 206-213ST                  |  |
| 22.50 / .886           | 4                          | DPST      | 206-214     | 206-214ST                  |  |
| 27.58 / 1.086          | 5                          | DPST      | 206-215     | 206-215ST                  |  |
| 32.66 / 1.286          | 6                          | DPST      | 206-216     | 206-216ST                  |  |
| 9.80 / .386            | 1                          | 3PST      | 206-311     | 206-311ST                  |  |
| 17.42 / .686           | 2                          | 3PST      | 206-312     | 206-312ST                  |  |
| 25.04 / .986           | 3                          | 3PST      | 206-313     | 206-313ST                  |  |
| 32.66 / 1.286          | 4                          | 3PST      | 206-314     | 206-314ST                  |  |

## X-ON Electronics

Largest Supplier of Electrical and Electronic Components

*Click to view similar products for CTS manufacturer:*

Other Similar products are found below :

[744C083333JP](#) [296UD504B1N](#) [262XR102B](#) [CB3LV-3C-32M7680](#) [744C083222JP](#) [770101223](#) [026TB32R253B1A1](#) [APF30-30-13CB/A01](#)  
[ATS061C](#) [ATS12ASM-1E](#) [743C083104JP](#) [744C083472JP](#) [77083103P](#) [218-10LPSTRF](#) [O7050147456MFDA4SC](#) [402WF20012IMR](#)  
[KFF6516A](#) [194-8MST](#) [742C083330JPTR](#) [750-101-R120](#) [77083105P](#) [TX0506-1B](#) [219-7LPST](#) [766143221GP](#) [CTS-1621](#)  
[284TBCF502A26A1](#) [766163560GP](#) [CB3-3I-20M0000](#) [636L5I016M00000](#) [4400-032](#) [219-8LPST](#) [201XR104B](#) [209-2MSF](#) [6740-2015](#) [CB3-](#)  
[3C-1M5440](#) [T8031-5V](#) [ATS16ASM-1E](#) [767163104D](#) [PB1-36ND](#) [ATS049BSM-1E](#) [752105191AP](#) [4400-095LF](#) [MP100B](#) [767141102GP](#)  
[766145191APTR7](#) [CB3LV-3C-25.0000-T](#) [CA32C12504GMT](#) [770101331P](#) [767161152GP](#) [406C35B24M57600](#)