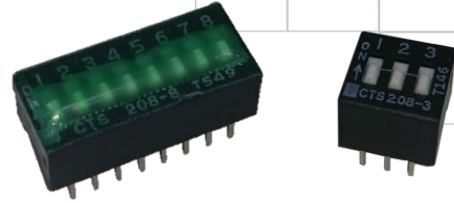




Series 208 Through-Hole DIP Switch

- Available with SPST circuit choices
- Available with low profile, standard, or extended actuator heights. Consult the ordering information for options.
- Black housing
- RoHS compliant
- Optional top tape seal for board spray washing



Description

The terminals are molded into the thermoset base and provide an electrostatic discharge shield rating to 22KV when front row of terminals are connected to ground. Tin plated contact design incorporating a dimple-to-flat surface wiping interface for contact corrosion resistance, making it the economical choice for suitable applications.

Ordering Information

| Series | Number of Switch Positions | Actuator Height | Bottom Epoxy Seal | Top Tape Seal | Actuation Preset |
|--------|----------------------------|-----------------|-------------------|---------------|------------------|
| 208- | 1 | E | S | T | N |

| Code | No. of switch positions |
|------|-------------------------|
| 1 | 1 position |
| 2 | 2 positions |
| 3 | 3 positions |
| 4 | 4 positions |
| 5 | 5 positions |
| 6 | 6 positions |
| 7 | 7 positions |
| 8 | 8 positions |
| 9 | 9 positions |
| 10 | 10 positions |
| 12 | 12 positions |

| Code | Spec. |
|-------|-------------------------|
| Blank | Standard (0.89mm/.035") |
| E | Extended (3.43mm/.135") |
| LP | Low profile (Flush) |

| Code | Bottom epoxy seal |
|-------|----------------------------------|
| Blank | No epoxy seal |
| S | Epoxy seal (Required for 208-1S) |

| Code | Top tape seal |
|-------|---|
| Blank | No top tape seal |
| T | Top tape seal (Not available for extended actuator or 1-position SPST DIP switch) |

| Code | Spec. |
|-------|----------------------|
| BLANK | Ship at OFF position |
| N | Ship at ON position |

Notes: 1.Contact CTS for other common features not listed.



Electrical Specifications

| Parameter | Conditions & Remarks | Min | Max | Unit |
|-----------------------|-----------------------------------|------|-----|-----------|
| Contact Resistance | Initial | | 100 | milliohms |
| | At end of life | | 500 | |
| Insulation Resistance | Between insulated terminals | 1000 | | Megohms |
| Dielectric Strength | 500 VAC between adjacent switches | | 1 | minute |
| Switch Capacitance | Between adjacent closed switches | | 5.0 | pF |
| Nonswitching Rating | | | 100 | mA |
| | | | 50 | or VDC |
| Circuit | SPST | 1 | 12 | Position |

Mechanical and Environmental

| | |
|-----------------------------|--|
| Actuation Life | 2,000 cycles switching 50mA @ 24VDC |
| Soldering | Maximum wave temperature, 260°C for 5 seconds |
| Shock | Per MIL-STD-202F, method 213B, condition A(50G's) with no contact inconsistencies greater than 1 microsecond |
| Vibration | Per MIL-STD-202F, method 204D, condition B (.06" or 15G's between 10 HZ to 2K HZ) with no contact inconsistencies greater than 1 microsecond |
| Seal | Bottom epoxy seal optional Optional top tape seal for board spray washing |
| Marking | Special side or top marking available-consult CTS |
| Packaging: | Standard anti-static tube packaging |
| Operating Temperature Range | -55°C to +85°C |
| Storage Temperature Range | -55°C to +85°C |

Mechanical Specifications

Figure 1 - SPST

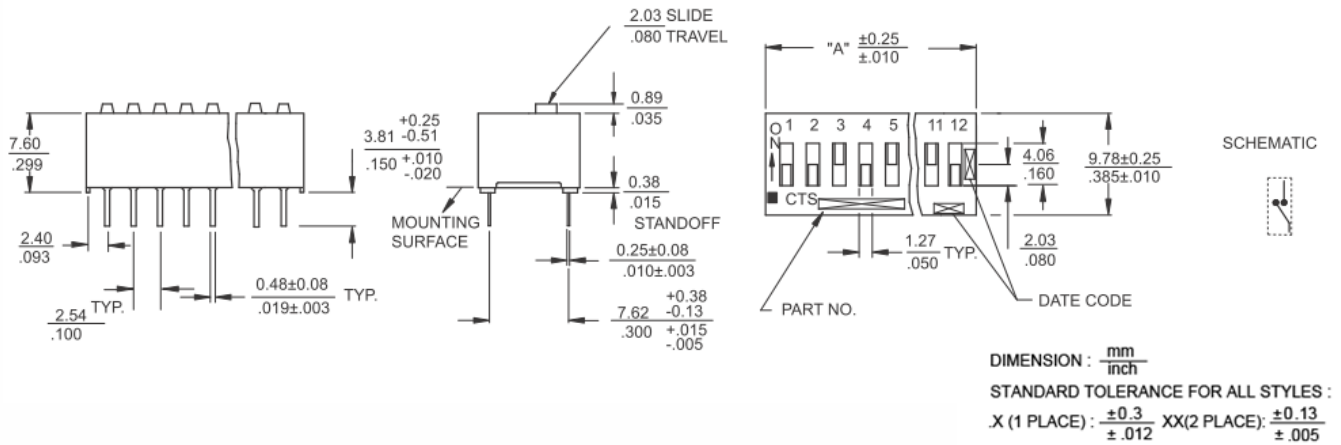


Figure 2 – Low Profile Actuators

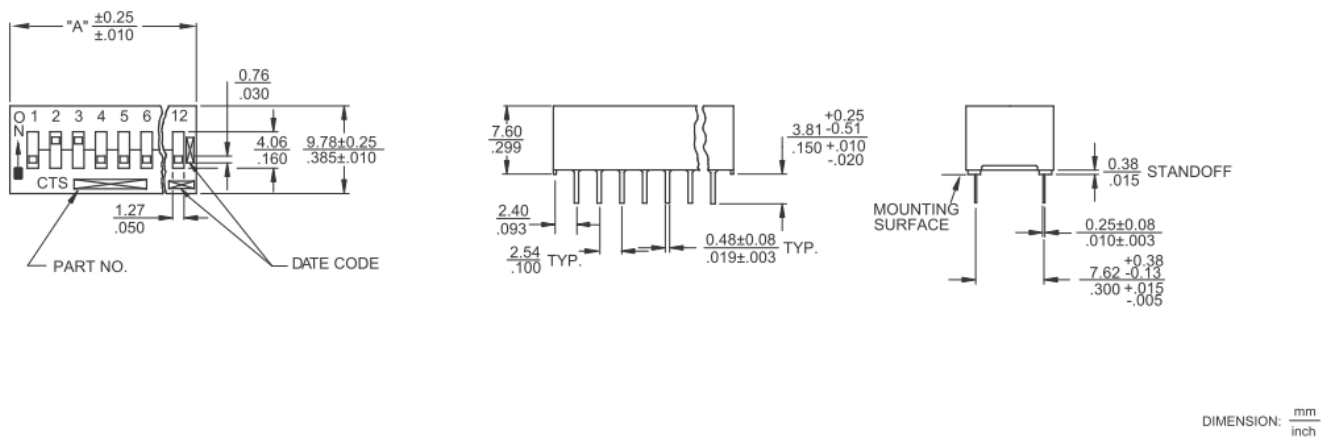
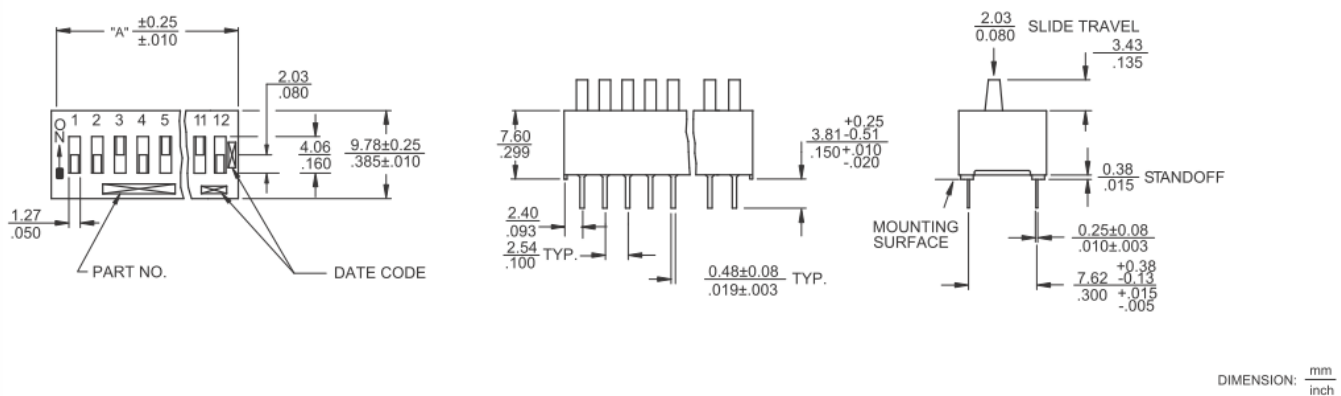


Figure 3 – Extended Actuators





| "A" Overall Dimensions | Number of Switch Positions | Actuation | Part Number | Both Bottom and Top Sealed | Low Profile Both Bottom and Top Sealed |
|------------------------|----------------------------|-----------|-------------|----------------------------|--|
| 3.96 / .156 | | SPST | 208-1S | - | - |
| 7.26 / .286 | 2 | SPST | 208-2 | 208-2ST | 208-2LPST |
| 9.80 / .386 | 3 | SPST | 208-3 | 208-3ST | 208-3LPST |
| 12.34 / .486 | 4 | SPST | 208-4 | 208-4ST | 208-4LPST |
| 14.88 / .586 | 5 | SPST | 208-5 | 208-5ST | 208-5LPST |
| 17.42 / .686 | 6 | SPST | 208-6 | 208-6ST | 208-6LPST |
| 19.96 / .786 | 7 | SPST | 208-7 | 208-7ST | 208-7LPST |
| 22.50 / .886 | 8 | SPST | 208-8 | 208-8ST | 208-8LPST |
| 25.04 / .986 | 9 | SPST | 208-9 | 208-9ST | 208-9LPST |
| 27.58 / 1.086 | 10 | SPST | 208-10 | 208-10ST | 208-10LPST |
| 32.66 / 1.286 | 12 | SPST | 208-12 | 208-12ST | 208-12LPST |

X-ON Electronics

Largest Supplier of Electrical and Electronic Components

Click to view similar products for [DIP Switches/SIP Switches](#) category:

Click to view products by [CTS](#) manufacturer:

Other Similar products are found below :

[78M03S](#) [79B10T](#) [8136-475G4T](#) [G7G-1A2-CB-DC12](#) [H7CZL8AC100240](#) [A7SS-M](#) [A8CA-201](#) [DRR60016](#) [DRS4016](#) [1825008-1](#) [1825444-1](#) [25.350.0653.0](#) [SBS 5004 TG](#) [SDA10H1BDA](#) [97R06ST](#) [A2C-2A5](#) [1825444-7](#) [ADE08SA04](#) [ADE12S04](#) [192960010](#) [2-1825058-8](#) [25.330.0653.1](#) [25.352.0353.0](#) [CXDRIVEV2X](#) [IKN0600000](#) [IKN0800000](#) [LA2-002-DC24](#) [DBS1003](#) [438872000](#) [DRD10CRAE04](#) [DSR02T](#) [DSS 208 N](#) [E2FMX2D1M1TGJ03M](#) [NDI10H](#) [219-9MSTP](#) [204-6ES](#) [EPM02FV](#) [701521596](#) [NDS08V](#) [76SB05](#) [79A10](#) [TD06H0SK1](#) [Z7.255.9027.0](#) [1-1825058-3](#) [1825428-4](#) [219-10LPSTF](#) [E3ZG6111D03M](#) [G4D212PUSTV2DC5](#) [195-7MSTN](#) [NDI05H](#)